

Model No :: **31002LEDD-BS/OPL**  
 Name :: **Vail**



Project Name :: \_\_\_\_\_  
 Location :: \_\_\_\_\_  
 Type :: \_\_\_\_\_  
 Quantity :: \_\_\_\_\_  
 Notes :: \_\_\_\_\_

Product Information	
Product ID ::	31002
UPC Code ::	641594175059
Mounting Type ::	Wall
Finish ::	Brushed Steel (BS)
Diffuser ::	Opal (OPL)
Alt. Finishes ::	N/A
Alt. Diffusers ::	N/A

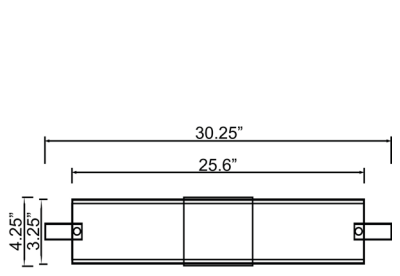
Product Dimensions		
<b>Fixture</b>		<b>Canopy</b>
Length ::	N/A	Length :: 25.6"
Width ::	30.25"	Width :: 2.9"
Diameter ::	N/A	Diameter :: N/A
Extension ::	3.25"	Height :: 1.3"
Height ::	4.25"	
Overall Height ::	N/A Max.	



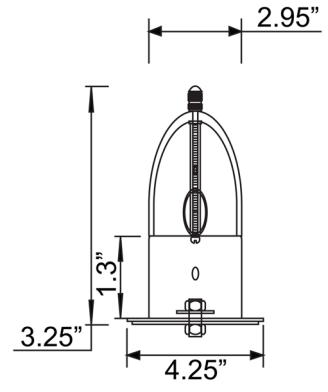
### Technical Specifications

Qualifications	Specifications	Photometrics	Recommended Dimmers
Location Rating :: Damp	Frame Material :: Metal	CCT :: 3000	(ELV) LUTRON Diva DVELV-300P; (ELV) LUTRON Diva DVELV-303P; (ELV) LUTRON Skylark SELV-300P; (TRIAC) LUTRON Diva DV-600P
Certification :: cULus	Diffuser Material:: Glass	CRI :: 90	
IES File :: No	Voltage :: 120v	Wattage :: 30 W	
JA8 Compliant :: Yes	Lamping Type :: Dedicated LED	Nominal Lumens :: 3040	
Title 20 Compliant :: N/A	Lamping Base :: SSL	Delivered Lumens :: 2517	
Energy Star :: Yes	Lamp Quantity :: 1	<b>Custom Options</b> :: Alternate Color Temperature Available, Available in 0-10V Dim, Available in 277V; <b>Additional Items</b> :: Fully adjustable floating canopy included	
ADA Compliant :: Yes	Lamp Wattage :: 30 W		
Marine Grade :: No	Total Wattage :: 30 W		
Emergency Lighting :: No	Lamps Included :: Yes		
Warranty :: 5 Year Limited	J-Box Type :: Standard		

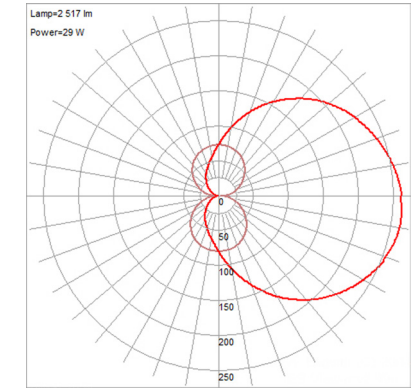
Line Drawing #1



Line Drawing #2



IES File



Toll Free 800-828-5483 or [www.AccessLighting.com](http://www.AccessLighting.com)

14410 Myford Road, Irvine, CA 92606  
 The information provided is subject to change without notice. ©2018 Access Lighting Corporation. All Rights Reserved  
 Rev. 201902 Filename:: 31002LEDD-BS\_OPL.pdf

