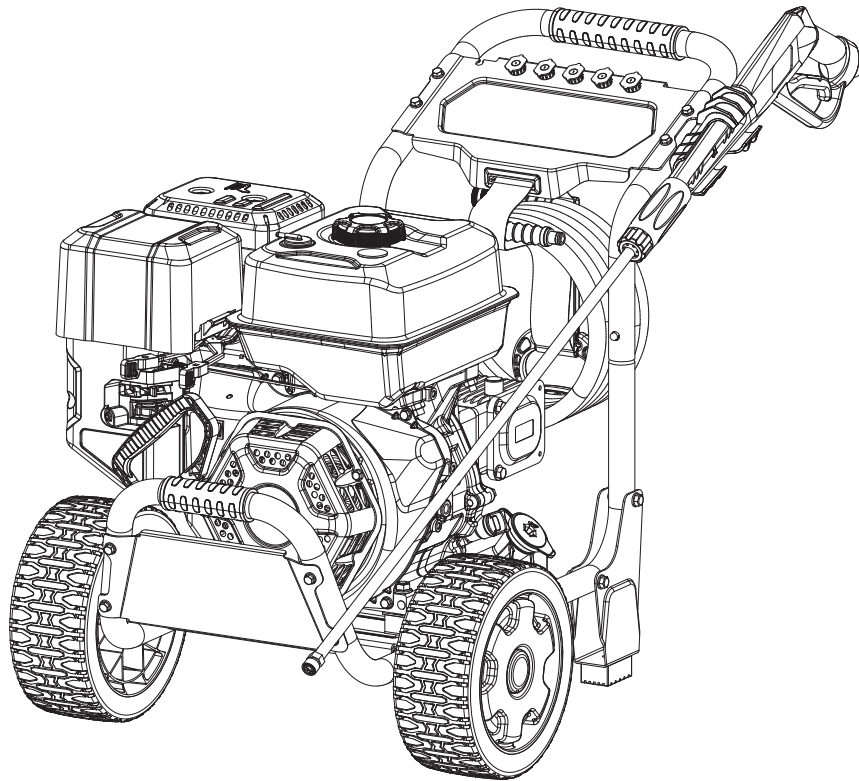




MODEL #100790



PARTS INFORMATION

4200 PSI PRESSURE WASHER

SERIAL NUMBER RANGE: ALL

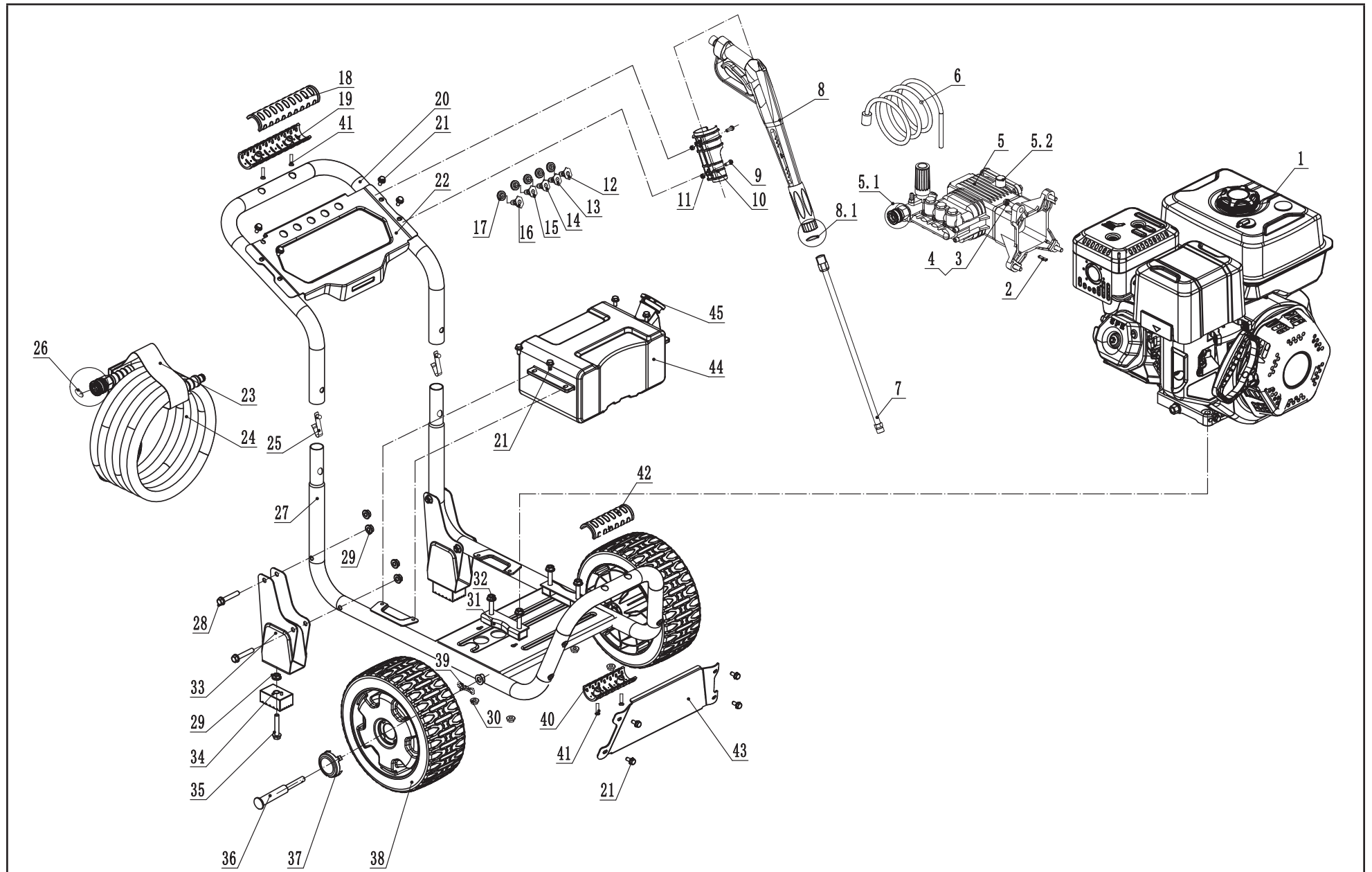


To order replacement parts please visit:
shop.championpowerequipment.com
or call **1-877-338-0999**.

TABLE OF CONTENTS

Pressure Washer Parts Diagram	3
Pressure Washer Parts List	4
Engine Parts Diagram	5
Engine Parts List	6

PRESSURE WASHER PARTS DIAGRAM

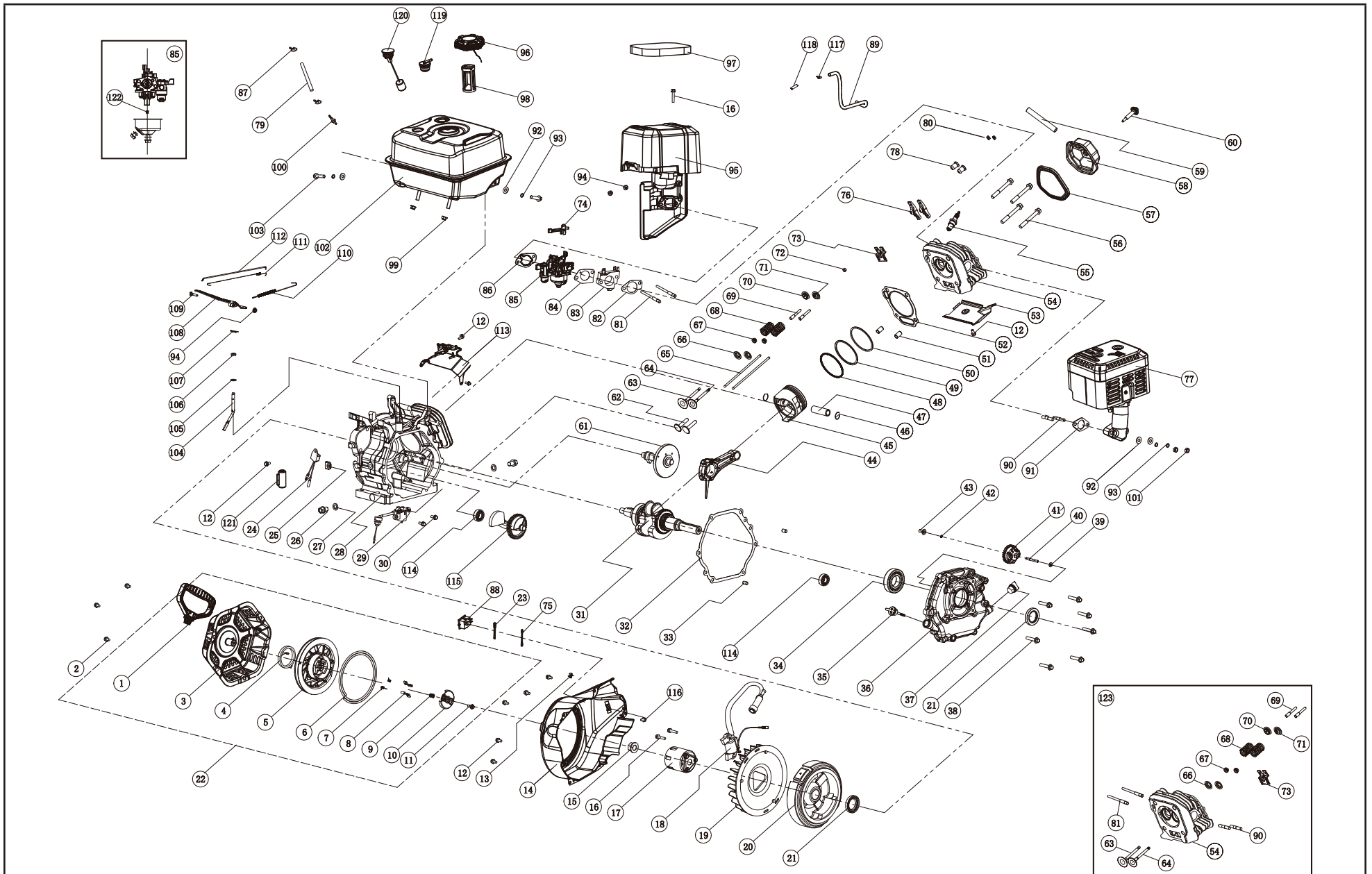


PRESSURE WASHER PARTS LIST

#	Part Number	Description	Qty.
1	46.105	Engine, 389cc	1
2	2.14.002	Key, SQ 6.3 × 6.3 × 50	1
3	2.08.011	Bolt 3/8-16 × 30	4
4	1.93.10	Lock Washer Ø10	4
5	255.251000.01	Pump Body	1
5.1	255.250501.00	Quick Contact, 3/8	1
5.2	255.251004.00	Vented Plug	1
6	254.250100.11	Detergent Hose, 27.6 in.	1
7	255.252200.01	Wand, 787 mm	1
8	255.252100.00.2	Handle, Gun	1
8.1	2.07.034	O Ring , Ø14 × Ø9 × Ø2.5	1
9	1.5783.0645.1	Bolt M6 x 45, Black	2
10	254.200012.05.2	Trigger Gun Holder, Black	1
11	1.6177.1.06.1	Lock Nut M6, Flange , Black	2
12	254.252300.05	Nozzle "Detergent", 65400	1
13	253.252300.03	Nozzle "40", 40040	1
14	253.252300.02	Nozzle "25", 25040	1
15	253.252300.01	Nozzle "15", 15040	1
16	253.252300.00	Nozzle "0", 00040	1
17	252.201400.01	Sheath, Nozzle	5
18	255.200702.01	Handle Cover 1, down	1
19	255.200702.00	Handle Cover 1, up	1
20	255.200701.03.2	Handle, Up, Black	1
21	1.5789.0612.1	Flange Bolt M6 x 12, Black	12
22	255.200800.02.29	Top Panel, Cool Gray 11	1
23	9.4300.000	Hose Strap	1
24	255.250100.05	High-Pressure Hose, 50ft.	1
25	252.201300.00	Pin	2
26	2.07.033	O Ring, Ø17.1 × Ø11.8 × Ø2.65	1
27	61176.0.2	Frame, Black	1

#	Part Number	Description	Qty.
28	1.5789.0845	Flange Bolt M8 x 45	4
29	1.6177.1.08.1	Lock Nut M8, Flange , Black	6
30	1.6177.1.08	Lock Nut M8, Flange	4
31	253.201200.00	Vibration Mount, Engine	2
32	1.6177.1.10	Lock Nut M10, Flange	4
33	255.200002.01.2	Support Leg, Black	2
34	122.201400.04.29	Rubber, Support, Cool Gray 11	2
35	1.5789.0825.1	Flange Bolt M8 x 25, Black	2
36	255.201501.00.1	Pin Roll, Wheel, Black	2
37	122.201702.11.29	Cap, Wheel, Cool Gray 11	2
38	255.201701.01.29	Wheel, PU, Cool Gray 11	2
39	2.16.005.1	Pin Ø2, "B" Shape, Black	2
40	255.200702.02	Handle Cover 2, down	1
41	1.818.0414.1	Screw M4 x 14, Black	4
42	255.200702.03	Handle Cover 2, up	1
43	255.200800.03.29	Front Bumper, Cool Gray 11	1
44	251.250202.00	Detergent Tank	1
45	254.250203.01	Cap, Water Tank	1

ENGINE PARTS DIAGRAM



ENGINE PARTS LIST

#	Part Number	Description	Qty.
1	23.061006.01	Handle, Recoil	1
2	1.16674.0608	Flange Bolt M6 x 8	3
3	46.061100.04.48	Cover,Recoil Starter, Yellow	1
4	45.060005.00	Spring, Recoil Starter	1
5	45.061102.00	Reel, Recoil Starter	1
6	2.10.003.1	Rope Ø4 x 1550, Black	1
7	45.060003.00	Spring, Ratchet	2
8	45.060002.00	Starter Ratchet, Steel	2
9	45.060009.00	Spring, Ratchet Guide	1
10	45.060007.00	Ratchet Guide	1
11	45.060008.00	Screw, Ratchet Guide	1
12	1.5789.0612	Flange Bolt M6 x 12	9
13	2.05.002	Clamp Ø9.5 x 5	1
14	46.080100.07.2	Fan Cover, Black	1
15	2.02.007	Nut M16 x 1.5	1
16	1.5789.0629	Flange Bolt M6 x 29	3
17	45.060001.00	Pulley, Starter	1
18	46.123000.10	Ignition Coil	1
19	45.080001.00	Cooling Fan	1
20	46.120100.03	Flywheel	1
21	2.11.007	Oil Seal Ø35 x Ø52 x 8	2
22	46.061000.04	Recoil Assembly	1
23	46.120300.00	Ground Lead	1
24	21.120400.00	Diode Assembly	1
25	45.030032.00	Sheath, Wire	1
26	2.08.039	Drain Bolt M12 x 1.5 x 15	2
27	2.03.023	Washer Ø12.5 x Ø20 x 2, Drain Bolt	2
28	45.030100.03	Crankcase	1
29	45.127000.02	Oil Level Sensor	1
30	1.5789.0615	Flange Bolt M6 x 15	2

#	Part Number	Description	Qty.
31	45.050100.09	Crankshaft	1
32	46.030008.00	Gasket, Crankcase Cover	1
33	2.04.001	Dowel Pin Ø9 x 14	2
34	1.276.6207	Bearing 6207	1
35	45.031000.01.48	Oil Dipstick Assembly, Yellow	1
36	45.030007.01	Cover, Crankcase	1
37	21.031000.01.48	Oil Filler Cap, Yellow	1
38	1.5789.0840	Flange Bolt M8 x 40	7
39	2.03.021.1	Washer Ø6.4 x Ø13 x 1	1
40	45.110013.00	Shaft,Governor, Gear	1
41	45.110100.00	Gear, Governor	1
42	21.110011.00	Clip, Governor, Gear	1
43	45.110012.00	Bushing, Governor Gear	1
44	47.050200.00	Connecting Rod	1
45	46.050005.00	Piston	1
46	2.09.004	Circlip Ø21 x Ø1	2
47	45.050003.00	Pin, Piston	1
48	46.050303.00	Ring, Oil	1
49	46.050302.00	Ring, Second Piston	1
50	46.050301.00	Ring,First Piston	1
51	2.04.004	Dowel Pin Ø12 x 20	2
52	46.030009.01	Gasket, Cylinder Head	1
53	46.080400.00	Air Guide, Lower	1
54	46.010100.00	Cylinder Head	1
55	2.15.002	Spark Plug F6RTC	1
56	2.08.014	Flange Bolt M10 x 80	4
57	46.020002.00	Gasket, Cylinder Head Cover	1
58	46.021000.00	Cylinder Head Cover CPE	1
59	45.020001.00	Breather Tube	1
60	45.020100.00	Bolt, Cylinder Head Cover	1

#	Part Number	Description	Qty.
61	46.041000.00	Camshaft	1
62	45.040013.00	Lifter, Valve	2
63	45.040002.00	Valve, Intake	1
64	45.040006.00	Valve, Exhaust	1
65	45.040005.00	Push Rod	2
66	45.040015.00	Retainer, Valve Spring	2
67	45.040017.00	Oil Seal, Valve	2
68	45.040003.00	Spring, Valve	2
69	21.040010.00	Bolt, Rocker Arm	2
70	45.040001.00	Retainer, Intake Valve Spring	1
71	45.040007.00	Retainer, Exhaust Valve Spring	1
72	45.040008.00	Rotator, Exhaust Valve	1
73	45.040004.00	Guide Plate, Push Rod	1
74	27.130100.00	Choke Handle	1
75	46.120300.01	Wire, Switch	1
76	45.040009.00	Rocker Arm, Intake Valve	2
77	46.101000.17.2	Muffler Assembly, Black	1
78	21.040020.00	Screw, Valve Adjustment	2
79	46.070011.03	Pipe	1
80	21.040021.00	Nut, Lock	2
81	2.01.013	Stud Bolt M6 x M8 x 131	2
82	46.130002.20	Gasket, Insulator	1
83	45.130001.00	Insulator, Carburetor	1
84	46.130003.20	Gasket, Carburetor	1
85	46.131000.31	Carburetor	1
86	45.130004.00	Gasket, Air Cleaner	1
87	2.06.005	Clamp Ø9 x Ø1	2
88	5.1000.011	Switch	1
89	46.070014.02	Pipe, Reversal Valve	1
90	2.01.005	Stud Bolt M8 x 49	2
91	46.100001.07	Ex pipe gasket	1
92	1.848.08	Washer Ø8	4

#	Part Number	Description	Qty.
93	1.93.08	Spring Washer Ø8	4
94	1.6177.06	Flange Nut M6	3
95	46.091000.12	Air Cleaner Assembly	1
96	24.070100.04	Cap, Fuel Tank	1
97	46.091003.12	Element, Air Cleaner	1
98	46.070300.00	Fuel Filter, Fuel Tank	1
99	1.6187.1.08	Nut M8	2
100	21.070600.03	Joint, Fuel Pipe	1
101	1.6175.08	Nut M8	2
102	46.071000.04.2	Fuel Tank , Black	1
103	1.5789.0832	Flange Bolt M8 x 32	2
104	45.110001.00	Shaft, Governor Arm	1
105	2.03.019	Washer Ø8.2 x Ø17 x 0.8	1
106	2.11.006	Oil Seal Ø7 x Ø14 x 5	1
107	45.110008.00	Pin, Shaft	1
108	45.110003.00	Arm, Governor	1
109	2.08.040	Bolt, Governor Arm	1
110	45.110007.00	Spring, Governor	1
111	45.110005.00	Spring, Throttle Return	1
112	45.110006.00	Rod, Governor	1
113	46.080300.05	Air Guide, Upper	1
114	1.276.6202	Bearing 6202	2
115	47.050006.00	Weight Balancer	1
116	1.16674.0510	Flange Bolt M5 x 10	1
117	2.06.006	Clamp Ø7 x Ø1	1
118	24.070030.00	Vent hole	1
119	152.070800.00	Reversal Valve	1
120	45.072000.01	Fuel Gauge Assembly	1
121	27.210003.00	Wire Sheath	1
122	46.131017.00	Main Jet, Standard	1
	46.131017.00.01	Main Jet, Altitude	/
123	45.010000.00	Cylinder Head Assembly	1