

INSTALLATION SHEET

Exterior Entry Systems

Note: to install double door units see step 9; to install a door with sidelite(s) see step 8.

Step 1: Prepare Rough Opening

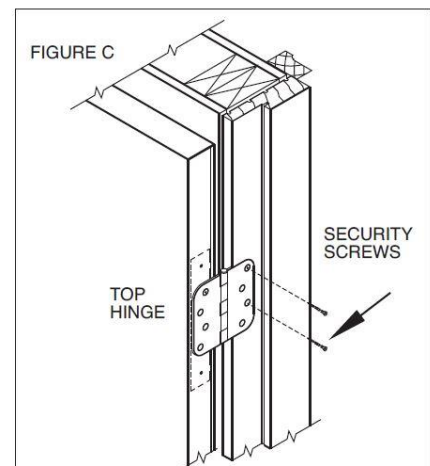
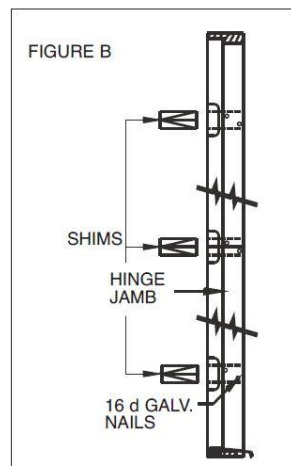
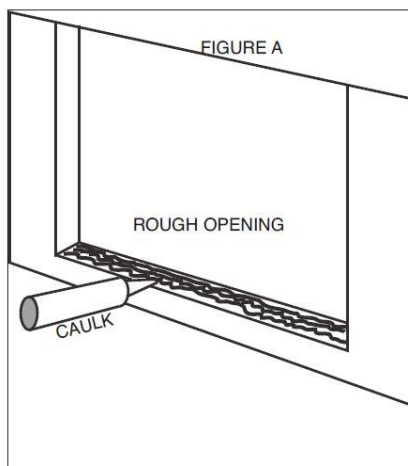
a) For rough opening dimensions, measure prehung unit from outside jamb to outside jamb. Add 1/2" to width and 3/4" to height to determine rough opening. if opening is oversize, fillers/shims may be required. (Rough opening sizes are also listed in full line catalog.)

Step 2: Place Unit into Opening

- a) set unit into rough opening to verify fit, then remove.
- b) Thoroughly caulk floor/base area where the unit will be located with a high-grade silicone or non-hardening caulk. See Figure A.
- c) position unit into opening and center.

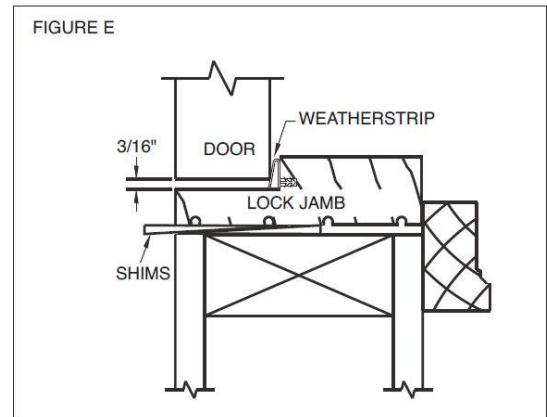
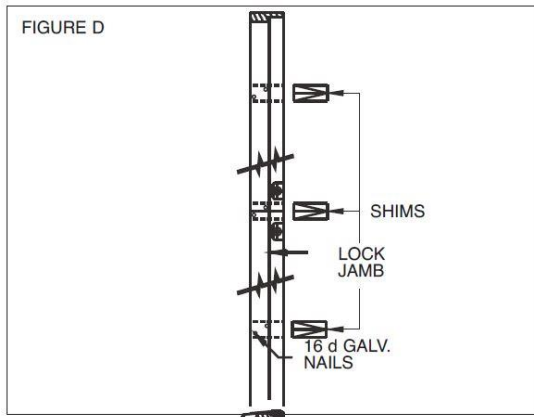
Step 3: Shim and Secure Hinge Jamb

- a) plumb the hinge jamb and nail the brickmold at the hinge jamb with 16 d galvanized finish nails.
- b) Remove shipping bracket that holds door closed. Check to see that door swings freely.
- c) From the interior side, wedge shims between frame and studding at the three hinge locations and check for plumb (Figure B).
- d) Nail with 16 d finish nails through the hinge jamb, shims and studding.
- e) install two (2) security screws (#9 x 2-1/4" flat head wood screw) in the top hinge (Figure C).



Step 4: Shim and Secure Lock and Head Jamb

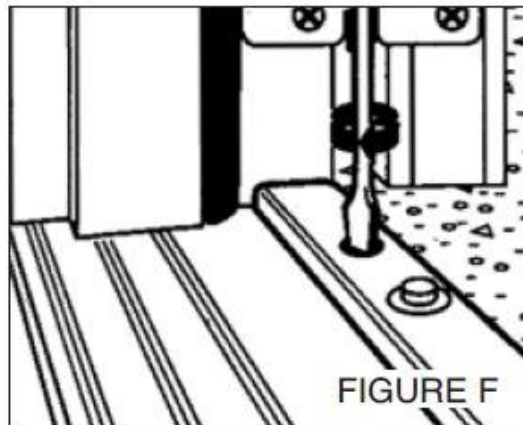
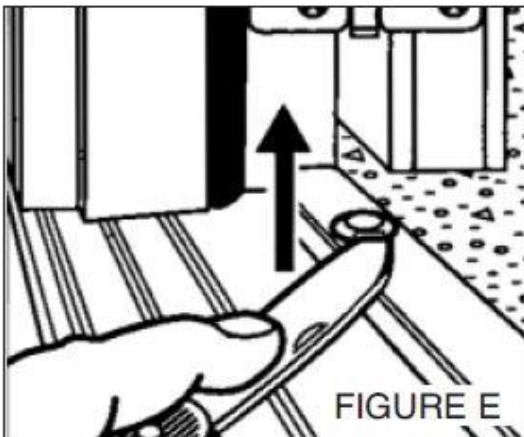
- a) Close the door and adjust the jamb so the weatherstripping meets the door evenly from top to bottom.
- b) From the inside place three wood shims between the frame and the studding at three locations (Figure D).
- c) Be sure to adjust the three shims to plumb jamb and provide a 3/16" margin between the door and the jamb (Figure E).



- d) Nail with 16 d finish nails through the lock jamb, shims and studding.
- e) Nail head jamb and brickmold.

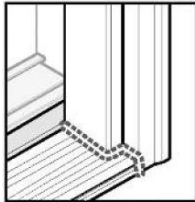
Step 5: Threshold Cap Adjustment

- a) If necessary, the threshold cap can be adjusted. Adjustment is accomplished by sliding a pocketknife blade or thumbnail under the flange of the screw cover, to lift it off, as shown in Figure e.
- b) Removing the screw cover will reveal the adjustment screw. Using a screwdriver as shown in Figure F, the jack screws may be turned to adjust the threshold cap to the desired height. Replace the screw covers.

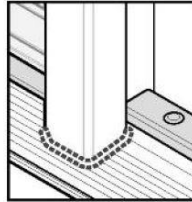


Step 6: Caulk and Finish Unit

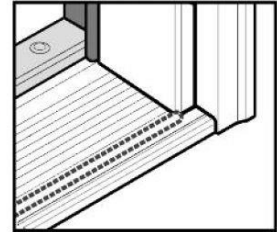
- a) Caulk around the brickmold and the joint between the sill, jamb and mull post. Use a high-quality silicone or non-hardening caulk.
- b) Nail set and putty all nail heads. Ensure corner seals are securely in place in both lower corners of the unit.



Caulk at the corner where the aluminum of the sill meets the frame components. Do not caulk on top of the adjustable threshold cap.



If the sill extender is installed, apply a bead of caulk where the extender meets the sill.



Finishing Steel Doors

- c) sand entire surface of the door with a #220 grit sandpaper and wipe clean with a soft cloth.
- d) Clean door with a mild detergent solution rinse and let dry.
- e) Use only an exterior acrylic latex paint on the exterior side of the door. the interior side can accept either an exterior or interior acrylic latex paint. Apply per the paint manufacturer's instructions.
- f) Do not paint the weatherstrip or hinges. Do not close the door until the paint is completely dry.
- g) All 6 sides of the door should be painted or sealed to prevent damage or warping. Fiberglass composite doors are to be sealed and or painted inside and out. **Do Not Leave the Inside Unfinished. Failure to finish all sides of the door will void all warranties.**

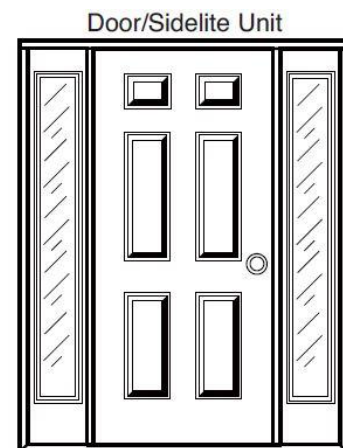
Step 7: Install Hardware

- a) install lock, deadbolt and strike plates per manufacturer's instructions.

Door and Sidelite Installation

Step 8: Align Unit

- a) Complete steps 1 and 2.
- b) Plumb, align, shim and secure the unit similar to steps 3 and 4. begin with the sidelite jamb nearest the door hinge jamb (step 3) then secure remaining side jamb (step 4). Note: shim above both door jambs at the head jamb prior to securing the unit.
- c) Follow steps 5 and 6



Double Door Installation

Step 9: Shim & Secure Inactive Hinge Jamb

- a) Complete steps 1 and 2.
- b) Add shims above the head jamb from the inside to maintain proper clearances and alignment.
- c) plumb and nail the brickmold from the outside on the inactive door side only.

Step 10: Shim & Secure Active Hinge Jamb

- a) Do steps 3 c, d and e.
- b) Nail the head in place at the shim locations.
- c) Nail the head and hinge jamb brickmold.
- d) Follow step 5 and 6.

Policy

- a. All unfinished doors are subject to possible leakage around the glass, and around panels, and/or around lock openings until such time as they are properly finished in accordance with the manufacturer's directions. Failure to comply will **void any warranty** expressed or implied against such leakage and will not be considered a product failure.
- b. Proper installation is essential to prevent water leakage under normal conditions. Failure to properly caulk **under and around** any unit as per the installation instructions can cause water leakage and/or frame rot. installation Not in accordance with the manufacturer's directions will **void any warranty** expressed or implied against such leakage and will not be considered a product failure.
- c. All residential products are designed to be used under normal conditions. Any application which results in severe exposure should be considered a special circumstance and appropriate precautions should be taken before determining what product is best suited for a particular application. when in doubt, call for more information before proceeding.
- d. Manufacturer/Distributor reserve the right to refund the original purchase price or to repair/replace at our option any product which it deems to have failed. Manufacturer/Distributor will not be responsible for incidental or consequential damage. Frame rot can be considered one form of incidental or consequential damage resulting from water leakage, whether visible or not. Consumers are advised to report any signs of leakage immediately to the installer or to the Dealer where said product was purchased.
- e. An overhang that minimizes the exposure to the elements is recommended. If that is not possible, understand that frequent re-coating will be required to keep from damaging the finish topcoat. Peeling can be a result of such exposure.
- f. Door and frame must be finished within 30 days of installation. Failure to comply will void any warranty expressed or implied against peeling and or warping.

See Warranty for details.