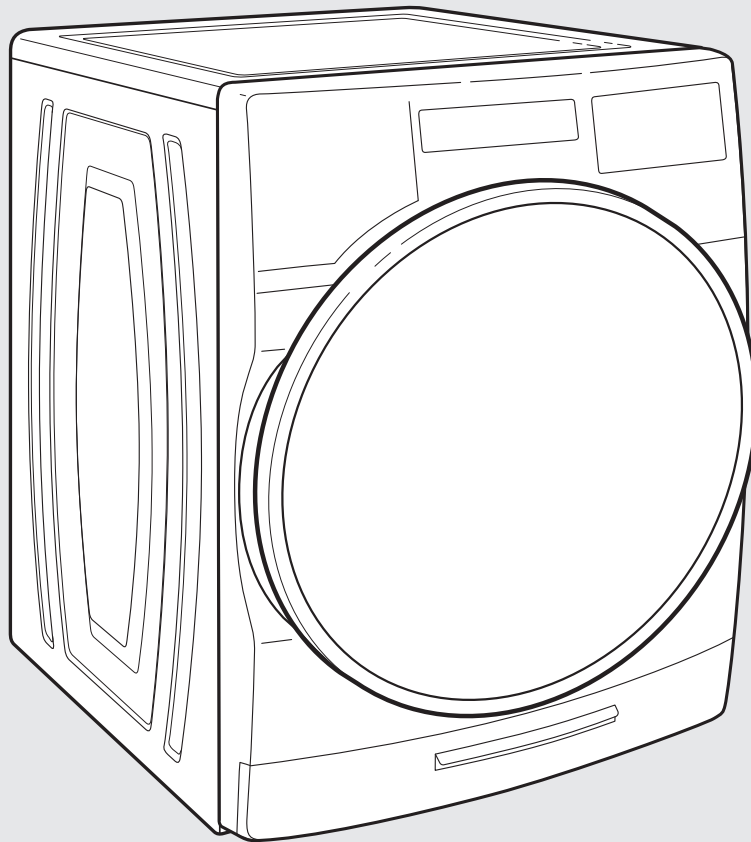




# Use and Care Guide Guide d'utilisation et d'entretien

## Front-Loading Automatic Washer Laveuse automatique à chargement frontal



Para obtener acceso al Manual de uso y cuidado en español, o para obtener información adicional acerca de su producto, visite: [www.whirlpool.com](http://www.whirlpool.com)

If you have any problems or questions, visit us at [www.whirlpool.com](http://www.whirlpool.com)  
Pour tout problème ou question, retrouvez-nous sur [www.whirlpool.ca](http://www.whirlpool.ca)

W11156985A  
W11156986A – SP



Designed to use only HE High Efficiency detergents.  
Conçue uniquement pour une utilisation avec des détergents HE Haute efficacité.

## TABLE OF CONTENTS

WASHER SAFETY .....	3
ACCESSORIES.....	4
CONTROL PANEL AND FEATURES .....	5
CYCLE GUIDE.....	8
CHOOSING THE RIGHT DETERGENT .....	11
USING THE DISPENSERS.....	12
USING YOUR WASHER.....	13
WASHER MAINTENANCE .....	17
TROUBLESHOOTING .....	21
WARRANTY .....	31
ASSISTANCE OR SERVICE.....	Back Cover

## TABLE DES MATIÈRES

SÉCURITÉ DE LA LAVEUSE .....	32
ACCESSOIRES .....	33
TABLEAU DE COMMANDE ET CARACTÉRISTIQUES ...	34
GUIDE DES PROGRAMMES.....	38
CHOIX DU DÉTERGENT APPROPRIÉ .....	45
UTILISATION DES DISTRIBUTEURS .....	46
UTILISATION DE LA LAVEUSE .....	47
ENTRETIEN DE LA LAVEUSE .....	51
DÉPANNAGE.....	56
GARANTIE .....	67
ASSISTANCE OU SERVICE.....	Couverture arrière

# WASHER SAFETY

## Your safety and the safety of others are very important.

We have provided many important safety messages in this manual and on your appliance. Always read and obey all safety messages.



This is the safety alert symbol.

This symbol alerts you to potential hazards that can kill or hurt you and others.

All safety messages will follow the safety alert symbol and either the word "DANGER" or "WARNING." These words mean:

**! DANGER**

**You can be killed or seriously injured if you don't immediately follow instructions.**

**! WARNING**

**You can be killed or seriously injured if you don't follow instructions.**

All safety messages will tell you what the potential hazard is, tell you how to reduce the chance of injury, and tell you what can happen if the instructions are not followed.

## IMPORTANT SAFETY INSTRUCTIONS

**WARNING:** To reduce the risk of fire, electric shock, or injury to persons when using the washer, follow basic precautions, including the following:

- Read all instructions before using the washer.
- Do not wash articles that have been previously cleaned in, washed in, soaked in, or spotted with gasoline, dry-cleaning solvents, other flammable, or explosive substances as they give off vapors that could ignite or explode.
- Do not add gasoline, dry-cleaning solvents, or other flammable, or explosive substances to the wash water. These substances give off vapors that could ignite or explode.
- Under certain conditions, hydrogen gas may be produced in a hot water system that has not been used for 2 weeks or more. **HYDROGEN GAS IS EXPLOSIVE.** If the hot water system has not been used for such a period, before using the washing machine, turn on all hot water faucets and let the water flow from each for several minutes. This will release any accumulated hydrogen gas. As the gas is flammable, do not smoke or use an open flame during this time.
- Do not allow children to play on or in the washer. Close supervision of children is necessary when the washer is used near children.
- Before the washer is removed from service or discarded, remove the door or lid.
- Do not reach into the washer if the drum, tub or agitator is moving.
- Do not install or store the washer where it will be exposed to the weather.
- Do not tamper with controls.
- Do not repair or replace any part of the washer or attempt any servicing unless specifically recommended in this manual or in published user-repair instructions that you understand and have the skills to carry out.
- See Installation Instructions for grounding instructions.

**SAVE THESE INSTRUCTIONS**

# ACCESSORIES

## INSTALLATION & MAINTENANCE ACCESSORIES

**FACTORY CERTIFIED PARTS** – these three words represent quality parts and accessories designed specifically for your appliance. Time tested engineering that meets our strict quality specifications.

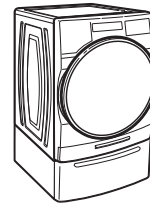
---

## FACTORY CERTIFIED PARTS

---

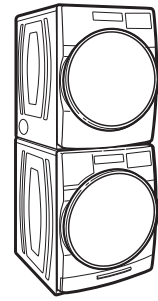
Accessories designed for your appliance:

Customize your new washer and dryer with the following genuine Whirlpool accessories. For more information on options and ordering, call **1-866-698-2538** or visit us at: **[www.whirlpoolparts.com](http://www.whirlpoolparts.com)**. In Canada, call **1-800-688-2002** or visit us at **[www.whirlpool.ca](http://www.whirlpool.ca)**.



### 15" Pedestal

Color-matched pedestals raise the washer and dryer to a more comfortable working height. The large drawer provides convenient storage.



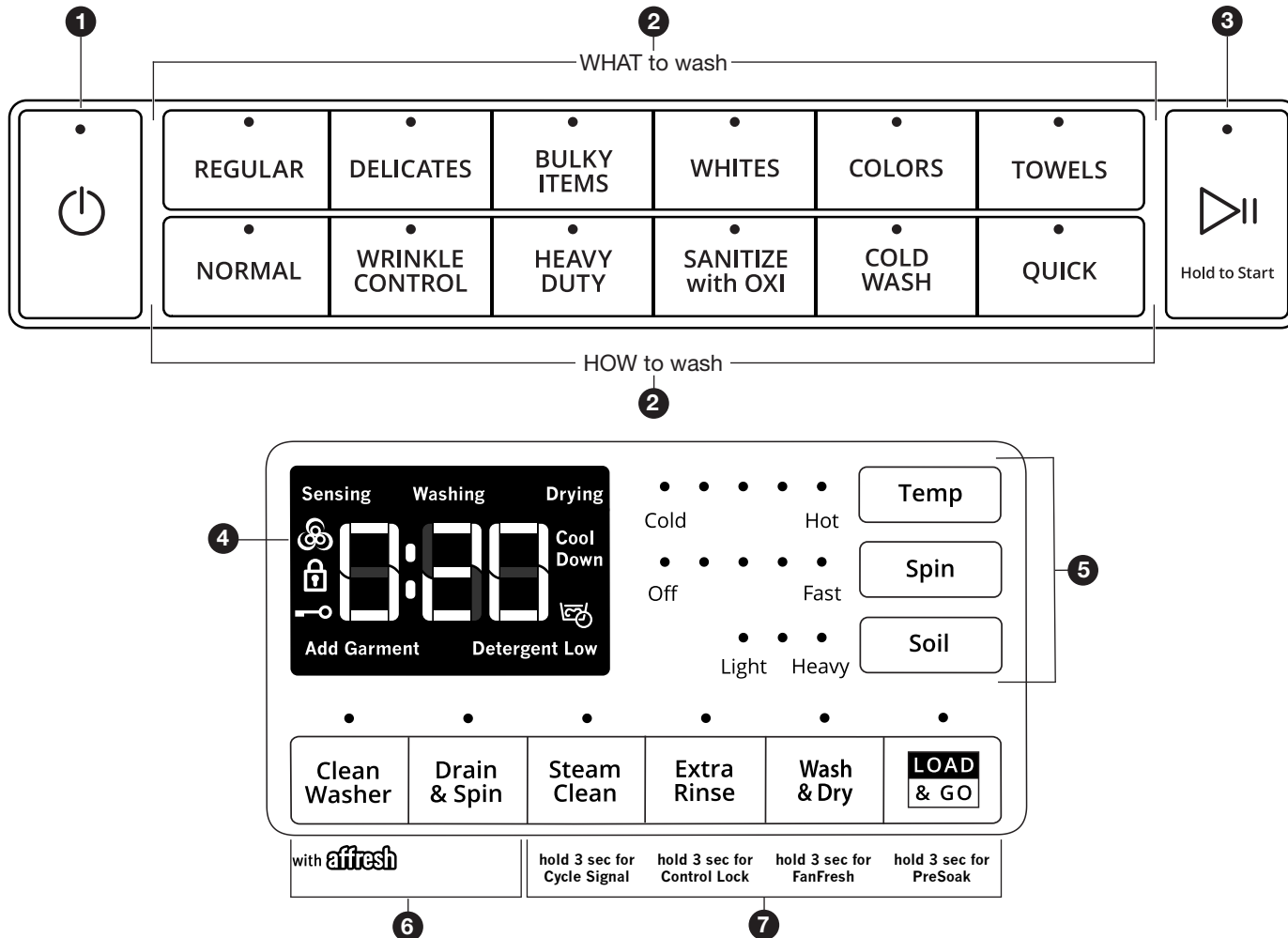
### Stack Kit

If space is at a premium, the stack kit allows the dryer to be installed on top of the washer.

# CONTROL PANEL AND FEATURES

## NOTES:

- Not all features and cycles are on all models.
- If your model has a touch interface, the control panel features a sensitive surface that responds to a light touch of your finger. To ensure your selections are registered, touch the control panel with your fingertip, not your fingernail. When selecting a setting or option, simply touch its name.
- If your model has physical buttons, make sure to press the button firmly.
- At cycle completion, your setting and option choices will be remembered for the next cycle. However, if power to the washer is lost, the settings and options will go back to the factory defaults.



Cycles and settings vary by model.

### 1 POWER

Select to turn the washer on and off. Select to stop/cancel a cycle at any time.

### 2 WHAT TO WASH/HOW TO WASH

First determine what items are in the load that you are trying to wash. Use that to guide your “What to Wash” selection. Then determine how you want the washer to wash them and make the appropriate “How to Wash” selection. See “Cycle Guide” for cycle details. If you do not make a “How to Wash” selection, the washer will automatically select the recommended or last-used “How to Wash” cycle.

### 3 START/PAUSE

Touch and hold for 3 seconds until the light above Start/Pause comes on to start a cycle, or touch once while a cycle is in process to pause it.

### 4 CYCLE STATUS DISPLAY

The Cycle Status Display shows the progress of a cycle. At each stage of the process, you may notice sounds or pauses that are different from traditional washers.

### Estimated Time Remaining

The Estimated Time Remaining shows the time required for the cycle to complete. Factors such as load size, modifiers, options selected, and water pressure may affect the time shown in the display. Tightly packed loads, unbalanced loads, or excessive suds may cause the washer to lengthen the cycle time as well.

### Sensing

When Start/Pause is touched the washer will chime, indicating it is starting. The drum will make a partial turn. The door will click when it locks.

Once the door has locked, the washer will begin spinning to sense the load size. This sensing process will continue throughout the cycle.

After the load size is sensed, the estimated time based on load size will be displayed and water will be added. You may hear water flowing through the dispenser, adding detergent to the load. The actual cycle time may be lengthened; however, the display will continue to show the estimated time.

## Washing

During the wash cycle, this will display to let you know the cycle is in progress.

## Drying (on some models)

During a drying cycle, this will display to let you know the drying cycle is in progress.

## Cool Down (on some models)

At the end of a drying cycle, your load will go through a cool-down period.

## PreSoak

This symbol will be displayed to let you know a presoak is in progress.



## Detergent Low (on some models)

When detergent in the bulk dispenser is running low, the display will show the detergent level (Low).

## Add Garment

When “Add Garment” is displayed, you may pause the washer, open the door, and add items. Touch and hold START/PAUSE to start the washer again.

## Door Locked

The Door Locked symbol will display to indicate that the door is locked and cannot be opened without first pausing or canceling the cycle.



## Control Lock

When the Control Lock symbol is displayed, the buttons are disabled. Touch and hold EXTRA RINSE for 3 seconds to enable the buttons.



## FanFresh® (on some models)

This symbol will be displayed when the FanFresh® option is activated. The fan will turn on and the load will tumble periodically for up to 12 hours.



## End

Once the cycle is complete, “End” will display. Remove the load promptly for best results.

## 5 CYCLE MODIFIERS

When you select a cycle, its default settings will light up. Touch to adjust cycle modifiers on the washer before touching START/PAUSE. Additional wash modifiers or options selected after touching Start/Pause may not activate.

Once a wash setting is selected, it is saved for the cycle selected. To return to factory default cycle settings, unplug washer for 30 seconds; then plug back in. See “Cycle Guide” for default cycle settings.

**NOTE:** Some modifiers may increase or decrease the estimated time remaining.

### Temp

The recommended wash temperature is preset for each cycle. Some preset temperatures can be changed. You may select a different wash temperature based on the level of soil and type of fabric being washed. For best results, use the warmest wash water safe for your fabric, following the garment label instructions. All wash temperatures feature a cold rinse.

### Spin

The recommended spin speed is preset for each cycle. Some preset speeds can be changed.

- Faster spin speeds mean shorter dry times, but may increase wrinkling in your load.
- Slower spin speeds reduce wrinkling, but will leave your load more damp.

### Soil

The recommended soil level is preset for each cycle. Some preset soil levels can be changed. For heavily soiled and sturdy fabrics, select the Heavy Soil Level setting. For lightly soiled and delicate fabrics, select the Light Soil Level setting. Lower soil level settings will help reduce tangling and wrinkling.

## 6 UTILITY CYCLES

### Clean Washer

Use this every 30 washes to keep the inside of your washer fresh and clean. This cycle uses a higher water level. Use with affresh® Washer Cleaner tablets or liquid chlorine bleach to thoroughly clean the inside of your washer. When using this cycle, the drum should be empty. This cycle should not be interrupted. See the “Washer Care” section.

### Drain & Spin

This cycle removes excess water from the load or special-care items washed by hand. Use this cycle after a power failure. For some fabrics, you may choose to set a slower spin speed. **On some models:** Touch and hold DRAIN & SPIN for 3 seconds to set a Dry Only cycle.

## 7 CYCLE OPTIONS

You may add or remove options for each cycle. Not all options can be used with all cycles, and some are preset to work with certain cycles. Options vary by model.

### Steam Clean (on some models)

The Steam Clean option adds additional soak and wash time to many cycles to help remove tough stains, as well as a steam boost for added cleaning power. An integrated heater helps to maintain optimal wash temperatures. See “Cycle Guide” for cycles that allow the Steam Clean option.

You can also touch and hold STEAM CLEAN for 3 seconds to turn cycle signals on or off.

### Extra Rinse

Activate this option to add an extra rinse to most cycles.

You can also touch and hold EXTRA RINSE for 3 seconds to disable/enable the Control Lock.

### Wash & Dry (on some models)

Touch to add a drying cycle to your load after the wash cycle has finished. The Wash & Dry option is designed to wash and dry small loads overnight. Cycle time will vary based on load composition. For optimal dry performance and cycle time, load the drum no more than one-quarter full. The cycle will automatically terminate after a maximum 12-hour cycle time.

You can also touch and hold WASH & DRY for 3 seconds to activate/deactivate the FanFresh® option. Use the FanFresh® option if you will be unable to remove the load promptly. The washer will automatically activate the fan after the cycle ends and tumble the load periodically for up to 12 hours.



### IMPORTANT:

- Do not use dryer sheets.
- Do not dry comforters or large blankets.

### Load & Go™ (on some models)

Touch to select this option if you want to automatically add HE detergent to the wash load at the proper time.

**IMPORTANT:** When using the dispenser cartridge with concentrated liquid detergent, be sure to change the detergent concentration settings in the control if the detergent used is different than factory preset of 2x concentration. Change the detergent concentration setting by touching and holding TEMP and SOIL for 3 seconds.

You can also touch and hold LOAD & GO™ for 3 seconds to set a presoak.

### PreSoak (on some models)

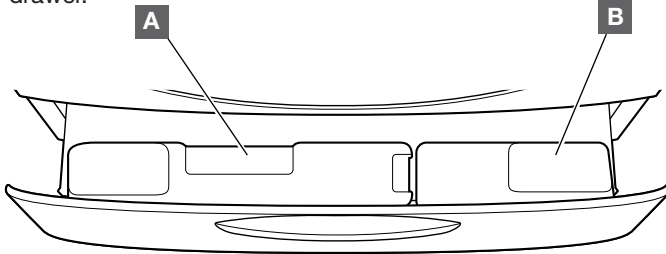
Touch to add a presoak time of your choice to a wash cycle.



## 8 DISPENSERS

### Load & Go™ Bulk Dispenser (only on some models – varies by model)

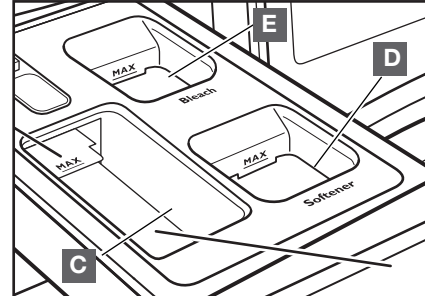
The Load & Go™ bulk dispenser gives you the convenience of not having to add the HE detergent to the wash load every time. It also determines the best amount of detergent and the best time to add it to the load. See the “Using the Dispensers” section for information on using the dispenser drawer.



Washer comes with choice of a 1- or 2-liter bulk liquid detergent dispenser.

### Single Load Dispenser Drawer

The single load dispenser drawer gives you the convenience of adding HE detergent, liquid chlorine bleach, and liquid fabric softener to the wash load at the proper time. See the “Using the Dispensers” section for information on using the dispenser drawer.



#### A 2-Liter Bulk Liquid High Efficiency (HE) detergent dispenser

This bulk dispenser holds up to 67.6 oz (2 L) of liquid HE detergent.

#### B 1-Liter Bulk Liquid High Efficiency (HE) detergent dispenser

This bulk dispenser holds up to 33.8 oz (1 L) of liquid HE detergent.

Each dispenser holds enough detergent for many loads of laundry. Each adds the appropriate quantity of HE detergent to the wash load at the proper time. See the “Using the Dispensers” section for information on using the dispenser.

**IMPORTANT:** Do not use chlorine bleach or powdered detergent in the bulk dispenser. Powdered detergent must be added to the single load dispenser. See the “Using the Washer” section.

#### C High Efficiency (HE) detergent compartment

This compartment holds liquid or powdered HE detergent for your main wash cycle, and automatically dispenses detergent in the cycle.

#### D Liquid fabric softener compartment

This compartment holds liquid fabric softener. It automatically dispenses liquid fabric softener at the optimum time in the cycle.

#### E Liquid chlorine bleach compartment

This compartment automatically dilutes and dispenses liquid chlorine bleach at the optimum time during the first rinse after the wash cycle. It cannot dilute powdered bleach.

# CYCLE GUIDE

You can use this washer to wash only or to wash and dry. This washer has a unique user interface to help you select the best cycle for your load. The “What to Wash” “How to Wash” layout guides you to the optimal cycle in two easy steps:

First determine what items are in the load that you are trying to wash. Use that to guide your “What to Wash” selection. Then determine how you want the washer to wash them and select the appropriate “How to Wash” selection. Selecting “What to Wash” will automatically select a default “How to Wash selection,” so selecting a “How to Wash” is optional. See chart below for more details.

What items Do You Want to Wash?	“What to Wash” Cycle Selection:
Cottons, linens, and mixed garment loads	Regular
No-iron fabrics, dress shirts/pants, synthetics, sheer/lacy garments	Delicates
Large items such as small comforters, sleeping bags, jackets, and washable rugs	Bulky Items
White fabrics/garments	Whites
Bright- or dark-colored cottons, linens, and mixed loads	Colors
Sturdy towels and washcloths	Towels

How Do You Want to Wash Them?	“How to Wash” Cycle Selection:
Regular/Normal	Normal
With fewer wrinkles	Wrinkle Control
Intense Cleaning	Heavy Duty
Eliminate 99.9% of three common household bacteria	Sanitize* (with Oxi –on some models)
Gentle cleaning with cold water	Cold Wash
Fast	Quick

Settings and options shown in **bold** are default settings for that wash cycle. For best fabric care, choose the cycle, options, and settings that best fit the load being washed. Always read and follow fabric care labels and laundry product instructions. Avoid tightly packing the washer. The washer will not rinse well or spin correctly if tightly packed. If running Wash & Dry, loading the drum 1/4 full or less will improve drying performance and cycle time. Not all settings are available with each cycle, and some options cannot be used together. Not all options are available on all models.

What	How	Basic Settings			Additional Options				
		Temp	Spin	Soil	Steam Clean	Extra Rinse	PreSoak	Wash & Dry	Load & Go™
Regular	<b>Normal</b>	Hot Very Warm <b>Warm</b> Cool Cold	<b>Fast</b> Medium Fast Medium Off	Light <b>Normal</b> Heavy	X	X	X	X	X
	Wrinkle Control	Hot Very Warm Warm Cool <b>Cold</b>	Fast Medium Fast Medium <b>Slow</b> Off	<b>Light</b> Normal Heavy	X	X	X	X	X
	Heavy Duty	Hot <b>Very Warm</b> Warm Cool Cold	<b>Fast</b> Medium Fast Medium Off	Light <b>Normal</b> Heavy	X	X	X	X	X
	Sanitize* (with Oxi – on some models)	<b>Hot</b>	<b>Fast</b> Medium Fast Medium	<b>Light</b> Normal Heavy	X	X		X	X
	Cold Wash	Hot Very Warm Warm Cool <b>Cold</b>	<b>Fast</b> Medium Fast Medium Off	Light Normal <b>Heavy</b>		X	X	X	X
	Quick	Hot Very Warm <b>Warm</b> Cool Cold	<b>Fast</b> Medium Fast Medium Off	<b>Light</b> Normal Heavy	X	X	X	X	X

\*This cycle eliminates 99.9% of the most common bacteria found in clothes, sheets, and towels. Using the highest wash temperature available and adding a powdered Oxi product in the drum (on some models) ensures sanitization. Check recommended wash temperature of your items and use the amount of Oxi recommended by the manufacturer (on some models). Bacteria tested were K. pneumonia, P. aureginosa, and S. aureus.



What	How	Basic Settings			Additional Options				
		Temp	Spin	Soil	Steam Clean	Extra Rinse	PreSoak	Wash & Dry	Load & Go™
Delicates	Normal	Hot Very Warm <b>Warm</b> Cool Cold	Fast Medium Fast Medium <b>Slow</b> Off	Light <b>Normal</b> Heavy	X	X	X	X	X
	Quick	Hot Very Warm <b>Warm</b> Cool Cold	Fast Medium Fast Medium <b>Slow</b> Off	Light Normal Heavy	X	X	X	X	X
	<b>Wrinkle Control</b>	Hot Very Warm Warm Cool <b>Cold</b>	Fast Medium Fast Medium <b>Slow</b> Off	Light Normal Heavy	X	X	X	X	X
	Heavy Duty	Hot <b>Very Warm</b> Warm Cool Cold	Fast Medium Fast Medium <b>Slow</b> Off	Light <b>Normal</b> Heavy	X	X	X	X	X
	Cold Wash	Hot Very Warm Warm Cool <b>Cold</b>	Fast Medium Fast Medium <b>Slow</b> Off	Light <b>Normal</b> Heavy		X	X	X	X
	Sanitize* (with Oxi – on some models)	<b>Hot</b>	<b>Fast</b> Medium Fast Medium Slow Off	Light Normal Heavy	X	X		X	X
Bulky Items	Normal	Hot Very Warm <b>Warm</b> Cool Cold	Fast <b>Medium Fast</b> Medium Slow Off	Light <b>Normal</b> Heavy	X	X	X	X	X
	Quick	Hot Very Warm <b>Warm</b> Cool Cold	Fast <b>Medium Fast</b> Medium Slow Off	Light Normal Heavy	X	X	X	X	X
	Wrinkle Control	Hot Very Warm Warm Cool <b>Cold</b>	Fast Medium Fast Medium <b>Slow</b> Off	Light Normal Heavy	X	X	X	X	X
	<b>Heavy Duty</b>	Hot <b>Very Warm</b> Warm Cool Cold	Fast <b>Medium Fast</b> Medium Slow Off	Light <b>Normal</b> Heavy	X	X	X	X	X
	Cold Wash	Hot Very Warm Warm Cool <b>Cold</b>	Fast <b>Medium Fast</b> Medium Slow Off	Light <b>Normal</b> Heavy		X	X	X	X

\*This cycle eliminates 99.9% of the most common bacteria found in clothes, sheets, and towels. Using the highest wash temperature available and adding a powdered Oxi product in the drum (on some models) ensures sanitization. Check recommended wash temperature of your items and use the amount of Oxi recommended by the manufacturer (on some models). Bacteria tested were K. pneumonia, P. aureginosa, and S. aureus.

What	How	Basic Settings			Additional Options				
		Temp	Spin	Soil	Steam Clean	Extra Rinse	PreSoak	Wash & Dry	Load & Go™
Whites	Normal	Hot Very Warm <b>Warm</b> Cool Cold	Fast <b>Medium Fast</b> Medium Slow Off	Light Normal <b>Heavy</b>	X	X	X	X	X
	Quick	Hot Very Warm <b>Warm</b> Cool Cold	Fast <b>Medium Fast</b> Medium Slow Off	<b>Light</b> Normal Heavy	X	X	X	X	X
	Wrinkle Control	Hot Very Warm Warm Cool <b>Cold</b>	Fast Medium Fast Medium <b>Slow</b> Off	<b>Light</b> Normal Heavy	X	X	X	X	X
	Heavy Duty	Hot <b>Very Warm</b> Warm Cool Cold	Fast <b>Medium Fast</b> Medium Slow Off	Light Normal <b>Heavy</b>	X	X	X	X	X
	Cold Wash	Hot Very Warm Warm Cool <b>Cold</b>	Fast <b>Medium Fast</b> Medium Slow Off	Light Normal <b>Heavy</b>		X	X	X	X
	Sanitize* (with Oxi – on some models)	<b>Hot</b>	<b>Fast</b> Medium Fast Medium Slow Off	<b>Light</b> Normal Heavy	X	X		X	X
Colors	Normal	Hot Very Warm <b>Warm</b> Cool Cold	Fast <b>Medium Fast</b> Medium Slow Off	<b>Light</b> Normal Heavy	X	X	X	X	X
	Quick	Hot Very Warm <b>Warm</b> Cool Cold	Fast <b>Medium Fast</b> Medium Slow Off	<b>Light</b> Normal Heavy	X	X	X	X	X
	Wrinkle Control	Hot Very Warm Warm Cool <b>Cold</b>	Fast Medium Fast Medium <b>Slow</b> Off	<b>Light</b> Normal Heavy	X	X	X	X	X
	Heavy Duty	Hot <b>Very Warm</b> Warm Cool Cold	Fast <b>Medium Fast</b> Medium Slow Off	<b>Light</b> Normal Heavy	X	X	X	X	X
	<b>Cold Wash</b>	Hot Very Warm Warm Cool <b>Cold</b>	Fast <b>Medium Fast</b> Medium Slow Off	<b>Light</b> Normal Heavy		X	X	X	X
	Sanitize* (with Oxi – on some models)	<b>Hot</b>	<b>Fast</b> Medium Fast Medium Slow Off	<b>Light</b> Normal Heavy	X	X		X	X

\*This cycle eliminates 99.9% of the most common bacteria found in clothes, sheets, and towels. Using the highest wash temperature available and adding a powdered Oxi product in the drum (on some models) ensures sanitization. Check recommended wash temperature of your items and use the amount of Oxi recommended by the manufacturer (on some models). Bacteria tested were K. pneumonia, P. aureginosa, and S. aureus.

What	How	Basic Settings			Additional Options				
		Temp	Spin	Soil	Steam Clean	Extra Rinse	PreSoak	Wash & Dry	Load & Go™
Towels	Normal	Hot Very Warm <b>Warm</b> Cool Cold	<b>Fast</b> Medium Fast Medium Slow Off	Light Normal <b>Heavy</b>	X	X	X	X	X
	Quick	Hot Very Warm <b>Warm</b> Cool Cold	<b>Fast</b> Medium Fast Medium Slow Off	<b>Light</b> Normal Heavy	X	X	X	X	X
	Wrinkle Control	Hot Very Warm Warm Cool <b>Cold</b>	Fast Medium Fast Medium <b>Slow</b> Off	<b>Light</b> Normal Heavy	X	X	X	X	X
	<b>Heavy Duty</b>	Hot <b>Very Warm</b> Warm Cool Cold	<b>Fast</b> Medium Fast Medium Slow Off	Light Normal <b>Heavy</b>	X	X	X	X	X
	Cold Wash	Hot Very Warm Warm Cool <b>Cold</b>	<b>Fast</b> Medium Fast Medium Slow Off	Light Normal <b>Heavy</b>		X	X	X	X
	Sanitize* (with Oxi – on some models)	<b>Hot</b>	<b>Fast</b> Medium Fast Medium Slow Off	<b>Light</b> Normal Heavy	X	X		X	X

\*This cycle eliminates 99.9% of the most common bacteria found in clothes, sheets, and towels. Using the highest wash temperature available and adding a powdered Oxi product in the drum (on some models) ensures sanitization. Check recommended wash temperature of your items and use the amount of Oxi recommended by the manufacturer (on some models). Bacteria tested were K. pneumonia, P. aureginosa, and S. aureus.

Government energy certifications for models WFW8620H and WFW862CH were based on the REGULAR (WHAT TO WASH), NORMAL (HOW TO WASH), FASTEST SELECTABLE SPIN SPEED, HOLDING “DRAIN & SPIN” for 3 SECONDS TO ACTIVATE TIMED DRY (4 HOURS - 1 TIME ONLY), DRYING TEMPERATURE SETTING NON - SELECTABLE. The as-shipped defaults of REGULAR (WHAT TO WASH), NORMAL (HOW TO WASH), WARM TEMP, SPIN SPEED FAST were not used for energy testing.

## CHOOSING THE RIGHT DETERGENT

Use only High Efficiency detergents. The package will be marked “HE” or “High Efficiency.” Low-water washing creates excessive sudsing with a non-HE detergent. Using non-HE detergent will likely result in longer cycle times and reduced rinsing performance. It may also result in component malfunction and, over time, buildup of mold or mildew. HE detergents should be low-sudsing and quick-dispersing to produce the right amount of suds for the best performance. They should hold soil in suspension so it is not redeposited onto clean clothes. Not all detergents labeled as High Efficiency are identical in formulation and their ability to reduce suds. For example, natural, organic, or homemade HE detergents may generate a high level of suds. If you use one of these and see a “SUD” error code appear in the display, consider using a different HE detergent. Always follow the detergent manufacturer’s instructions to determine the amount of detergent to use.



Use only High Efficiency (HE) detergent.

### About Detergent Concentration

Today’s liquid HE detergents are concentrated. Most brands of concentrated HE detergent will show the level of concentration on the bottle.

However, if the detergent bottle does not give the concentration, it can be easily calculated. Just divide the package size in fluid ounces by the number of loads. Then refer to the chart below to find the concentration.

If you do not get your desired cleaning results, try using a lower concentration number. If you have excess suds, try using a higher concentration number.

If detergent concentration is not 2x, change the detergent concentration setting by touching and holding TEMP and SOIL for 3 seconds.

Concentration	Number of ounces ÷ number of loads
2X	1.5–2.49 (44.4 mL–73.6 mL)
3X	0.9–1.49 (26.6 mL–44.1 mL)
4X	0.7–0.89 (20.7 mL–26.3 mL)
5X	0.5–0.69 (14.8 mL–20.4 mL)
6X	0.3–0.49 (8.9 mL–14.5 mL)

# USING THE DISPENSERS (varies by model)

1. For automatic dispensing, open the bulk dispenser drawer using the handle at the base of the washer. For a single load, open the single load dispenser drawer at the top left corner of the washer and disable the Load & Go™ option.
2. Add laundry products as described below.
3. Slowly close the dispenser drawer. Make sure it is completely closed.

## NOTES:

- A small amount of water may remain in the single load dispenser from the previous wash cycle. This is normal.
- See “About Detergent Concentration” for information on detergent concentration.
- **On some models:** When detergent in the bulk dispenser is running low, the display will show the detergent level (Low).
- Add single-dose and Oxi-type boosters to the drum before loading items. See the “Using Your Washer” section.

## Adding HE detergent to dispenser

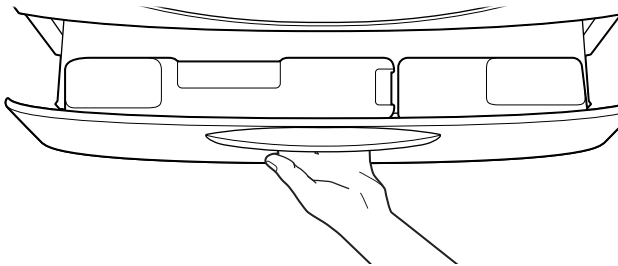
### Load & Go™ bulk dispenser (on some models)

Use only High Efficiency (HE) liquid detergents. The bulk dispensers will hold about 67.6 oz (2 L) or 33.8 oz (1 L) of liquid HE detergent, depending on dispenser, or enough for many loads of laundry.



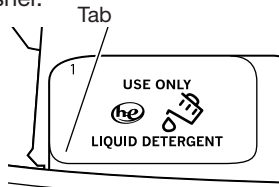
Use only High Efficiency (HE) detergent.

#### To Fill Bulk Dispensers:



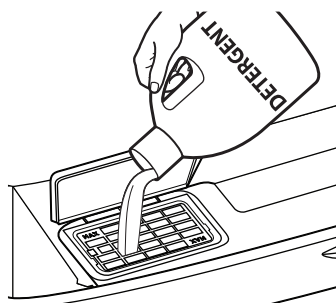
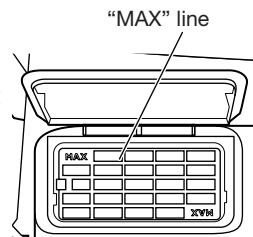
Open the dispenser drawer by pulling on the handle at the base of the washer. If desired, the drawer can be completely removed from the washer.

Locate the Load & Go™ bulk dispenser. Gently pull up on the tab located on the bulk dispenser lid to lift the fill door.

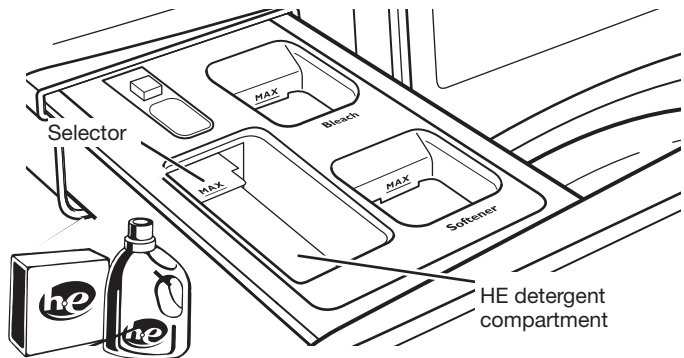


Fill to the “MAX” line (see illustrations at right) with HE liquid detergent. Close fill door. It will click into place. Make sure the concentration is correct (see the “Choosing the Right Detergent” section).

The dispensers should be rinsed out when changing detergents or when the washer will not be used for extended periods. For instructions on cleaning the dispenser cartridge, see the “Washer Care” section.



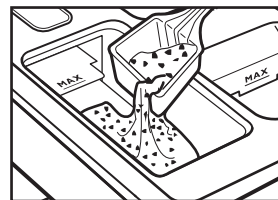
### Adding detergent for a single load



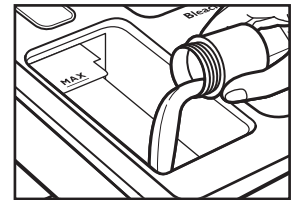
Use only High Efficiency (HE) detergent.

Pour a measured amount of HE detergent into detergent compartment. For powdered detergent, lift the selector to the high position. For liquid detergent, push down the selector to the low position.

Do not overfill; adding too much detergent may cause detergent to be dispensed into the washer too early.



**Powdered detergent:** Lift the selector to the high position. Add directly to the compartment.



**Liquid detergent:** Push down the selector to the low position. Add directly to the compartment.

#### IMPORTANT:

- Disable the Load & Go™ option before starting a single load.
- Do not add single-dose laundry packet to dispenser drawer.

# USING YOUR WASHER

## ⚠️ WARNING



### Fire Hazard

Never place items in the washer that are dampened with gasoline or other flammable fluids.

No washer can completely remove oil.

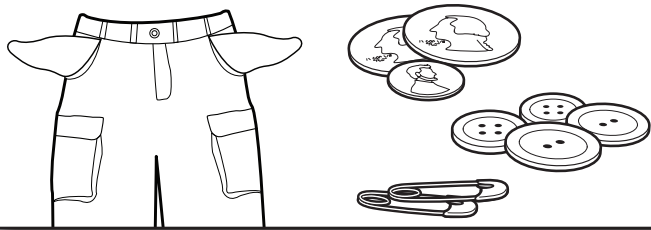
Do not dry anything that has ever had any type of oil on it (including cooking oils).

Doing so can result in death, explosion, or fire.

### First wash cycle without laundry

Before washing clothes for the first time, set up the Load & Go™ bulk dispenser (on some models) or add detergent to the single-dose dispenser (see the “Using the Dispensers” section). Choose the Regular (what to wash) and Quick (how to wash) cycle and run it without clothes. Use only HE detergent. This initial cycle serves to ensure the interior is clean.

## 1. Sort and prepare your laundry



Sort items by recommended cycle, water temperature, and colorfastness. Separate heavily soiled items from lightly soiled. Separate delicate items from sturdy fabrics. Treat stains promptly and check for colorfastness by testing stain remover products on an inside seam.

### IMPORTANT:

- Empty pockets. Loose change, buttons, or any small object can plug pumps and may require a service call.
- Close zippers, fasten hooks, tie strings and sashes, and remove non-washable trim and ornaments.
- Mend rips and tears to avoid further damage to items during washing.

## ⚠️ WARNING



### Electrical Shock Hazard

Plug into a grounded 3 prong outlet.

Do not remove ground prong.

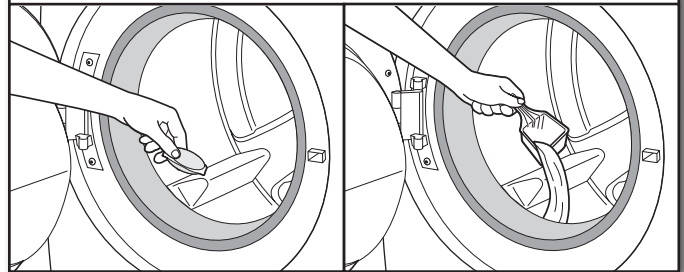
Do not use an adapter.

Do not use an extension cord.

Failure to follow these instructions can result in death, fire, or electrical shock.

- Turn knits inside out to prevent pilling. Separate lint-takers from lint-givers. Synthetics, knits, and corduroy fabrics will pick up lint from towels, rugs, and chenille fabrics.
- Do not dry garments if stains remain after washing because heat can set stains into fabric.
- Always read and follow fabric care labels and laundry product instructions. Improper usage may cause damage to your garments.

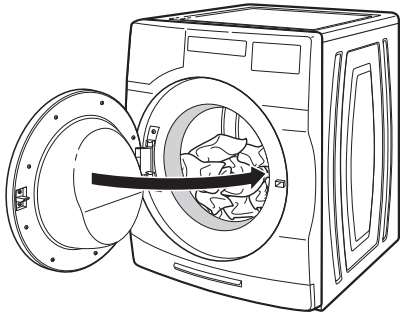
## 2. Add laundry products, if desired



Single-dose laundry packets, Oxi-type boosters, color-safe bleach, or scented crystals can be added to the drum prior to adding laundry. When using single-dose laundry packets, make sure that the bulk dispenser is disabled (on some models) or off (see the “Control Panel and Features” section).

**NOTE:** Always follow manufacturer’s instructions.

### 3. Load laundry into washer

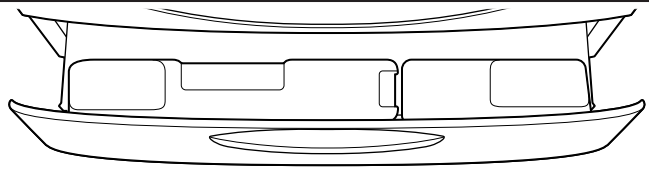


Place a load of sorted items loosely in the washer. Items need to move freely for best cleaning and to reduce wrinkling and tangling. If using the Wash & Dry option, loading the drum half full or less and not interrupting the drying cycle by opening the door will improve drying performance and cycle time. Close the washer door by pushing it firmly until the latch clicks.

- Push load fully into the washer. Make sure no items are resting on the rubber seal to avoid trapping them between the seal and the door window.
- Mix large and small items and avoid washing single items. Load evenly.
- Wash small items in mesh garment bags. For multiple items, use more than one bag and fill bags equally.

### 4. Add HE detergent

#### Load & Go™ Bulk Dispenser (on some models)

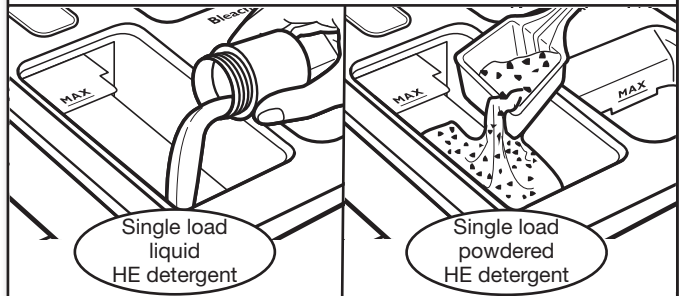


Liquid HE detergent  
bulk dispenser

If the bulk dispenser already contains enough detergent to wash your load, simply choose the Load & Go™ option as described in Step 10. If you need to add detergent to the bulk dispenser, see “Using the Dispensers” section.

OR

#### Single Load Dispenser Drawer



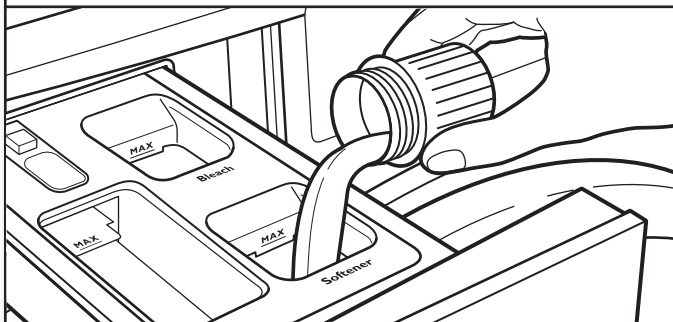
Single load  
liquid  
HE detergent

Single load  
powdered  
HE detergent

Adjust the selector, based on type of HE detergent used (either liquid or powdered). Add a measured amount of detergent directly into the detergent compartment. See the “Using the Dispensers” section. Disable the Load & Go™ option.

**NOTE:** Do not add single-dose laundry packets, Oxi-type boosters, color-safe bleach, or scented crystals to dispensers. They will not dispense correctly.

## 5. Add liquid fabric softener to single load dispenser, if desired



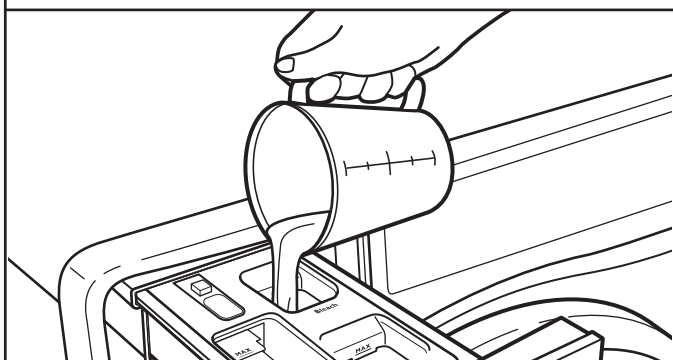
Pour a measured amount of liquid fabric softener into liquid fabric softener compartment. Always follow manufacturer's directions for correct amount of fabric softener, based on your load size.

Fabric softener is always dispensed in the last rinse, even if Extra Rinse is selected.

**IMPORTANT:** Do not overfill, dilute, or use more than the manufacturer-recommended quantity of fabric softener. Do not fill past the "MAX" line. Overfilling dispenser will cause fabric softener to immediately dispense into washer.

- Do not spill or drip any fabric softener onto the clothes.
- Do not use liquid fabric softener dispenser balls in this washer. They will not dispense correctly.
- Do not use fabric softener sheets, as they can stain the load.

## 6. Add liquid chlorine bleach to single load dispenser, if desired

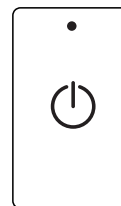


Add liquid chlorine bleach to the bleach compartment. Do not overfill, dilute, or use more than 2/3 cup (165 mL). Do not use color-safe bleach or Oxi in the same cycle with liquid chlorine bleach.

### IMPORTANT:

- Always measure liquid chlorine bleach. Use a measuring cup with a pour spout; do not guess.
- Do not fill beyond the "MAX" line. Overfilling could cause garment damage.
- Do not use thickened, easy-pour, or no-splash bleach when running the Clean Washer with affresh® cycle, as excess suds may occur.
- On some models: Do not add liquid chlorine bleach to the bulk dispenser.
- Slowly close dispenser drawers. Make sure the drawers are closed completely.

## 7. Touch POWER to turn on washer

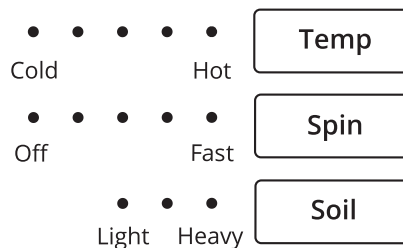


## 8. Select a wash program/cycle

REGULAR	DELICATES	BULKY ITEMS	WHITES	COLORS	TOWELS
NORMAL	WRINKLE CONTROL	HEAVY DUTY	SANITIZE with OXI	COLD WASH	QUICK

First, choose what you want to wash by touching a selection in the top row. Next, choose how you want to wash your load by touching a selection in the bottom row to choose the best cycle combination for your load. See "Cycle Guide" for details on cycles features.

## 9. Adjust cycle modifiers, if desired\*



The led indicator lights will show the default settings for the selected cycle. To adjust a setting, touch its name – Temp, Spin, or Soil. Adjusting settings may change the Estimated Time Remaining. Tightly packing the load, unbalanced loads, or excessive suds may also cause the washer to increase the cycle time.

## 10. Select any additional options\*

Clean Washer	Drain & Spin	Steam Clean	Extra Rinse	Wash & Dry	LOAD & GO
with affresh		hold 3 sec for Cycle Signal	hold 3 sec for Control Lock	hold 3 sec for FanFresh	hold 3 sec for PreSoak

To add an option to the cycle, touch its name – Steam Clean, Extra Rinse, or Wash & Dry. If you wish to use the bulk dispenser (on some models), select Load & Go™. For other options, touch and hold the buttons indicated for 3 seconds. To remove an option from the selected cycle, touch that button again.

\*Not all options and settings are available with all cycles. See "Cycle Guide" for available options and settings.

## 11. Touch and hold START/PAUSE to begin wash cycle



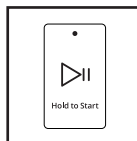
Touch and hold START/PAUSE for 3 seconds to start the wash cycle. To pause a cycle in progress, touch START/PAUSE once; then touch and hold again to continue the cycle. To cancel a cycle, touch and hold POWER and run Drain & Spin to remove any excess water.

Once you touch and hold START/PAUSE, you will hear the door lock. The washer door will remain locked during the wash cycle.

### Unlocking the door to add garments:

If you need to open the door to add one or two missed garments, you may do so while the “Add Garment” light is lit. The time allowed to add a garment will vary based on cycle selection and load size.

Touch START/PAUSE once; the door will unlock once the washer movement has stopped. This may take several minutes. Then close door and touch and hold START/PAUSE again to restart the cycle.

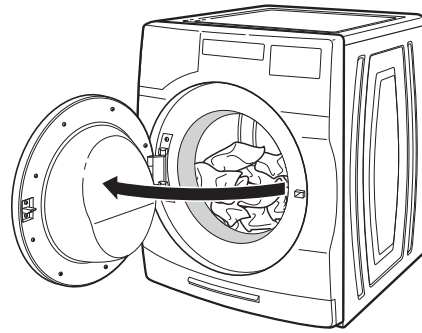


### Adding items after “Add Garment” light is off:

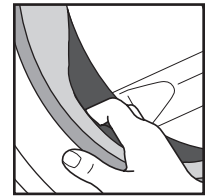
Cancel current cycle. Water will drain and you will need to reselect cycle and restart.

For best wash performance and optimal energy savings, add garments only when the “Add Garment” light is on.

## 12. Remove garments promptly after cycle is finished



Promptly remove garments after cycle has completed to avoid odor and rusting of metal objects on garments. When unloading garments, pull back the door seal and check for small items between the tub and the washer drum.



If you will be unable to remove the load promptly, use the FanFresh® option if it is available on your model. If the FanFresh® option is selected, the washer will automatically activate the fan once the cycle ends and tumble the load periodically for up to 12 hours. After a Wash & Dry cycle, promptly remove garments after cycle has completed to reduce wrinkling.

### NOTES:

- To cancel the FanFresh® option, touch POWER or START/PAUSE.
- This washer has a tight seal to avoid water leaks. To avoid odors, leave the door open to allow the washer to dry between uses.
- If a dry cycle is interrupted and the load removed before the cool-down period at the end of the cycle, the load will be very hot.



# WASHER MAINTENANCE

## WATER INLET HOSES

Replace inlet hoses after five years of use to reduce the risk of hose failure. Periodically inspect and replace inlet hoses if bulges, kinks, cuts, wear, or leaks are found.

When replacing your inlet hoses:

Mark the date of replacement on the label with a permanent marker.

Check that the old washers are not stuck on the washer inlet valves.

Use new washers in the new inlet hoses to ensure a proper seal.

## WASHER CARE

### Recommendations to Help Keep Your Washer Clean and Performing at Its Best

1. Always use High Efficiency (HE) detergents and follow the HE detergent manufacturer's instructions regarding the amount of HE detergent to use. Never use more than the recommended amount because that may increase the rate at which detergent and soil residue accumulate inside your washer which, in turn, may result in undesirable odor.
2. Use warm or hot water washes sometimes (not exclusively cold water washes) because they do a better job of controlling the rate at which soils and detergent accumulate.
3. Always leave the washer door slightly ajar between uses to help dry out the washer and avoid the buildup of odor-causing residue.
4. Periodically clean residue from all interior surfaces of the window. For better care, wipe the entire inside of the door with a damp cloth.

### Cleaning Your Front Loading Washer

Read these instructions completely before beginning the routine cleaning processes recommended below. This washer maintenance procedure should be performed, at a minimum, once per month or every 30 wash cycles, whichever occurs sooner, to control the rate at which soils and detergent may otherwise accumulate in your washer.

### Cleaning the Door Seal

1. Open the washer door and remove any clothing or items from the washer.
2. Inspect the gray-colored seal between the door opening and the drum for stained areas, soil buildup, or lint. Pull back the seal to inspect all areas under the seal and to check for foreign objects or lint.
3. If stained areas, soil buildup, or lint are found, wipe down these areas of the seal using either of the following two procedures:
  - a. **affresh® Machine Cleaning Wipes Procedure:**
    - i. When the cycle is complete, gently pull back the rubber door seal and clean the entire surface with the textured side of an affresh® Machine Cleaning Wipe.
  - b. **Dilute Liquid Chlorine Bleach Procedure:**
    - i. Mix a dilute bleach solution, using 3/4 cup (177 mL) of liquid chlorine bleach and 1 gallon (3.8 L) of warm tap water.
    - ii. Wipe the seal area with the dilute solution, using a damp cloth.

## WASHER CARE (cont.)

iii. Let stand 5 minutes.

iv. Wipe down area thoroughly with a dry cloth and let washer interior air dry with door open.

### IMPORTANT:

- Wear rubber gloves when cleaning with bleach.
- Refer to the bleach manufacturer's instructions for proper use.

### Cleaning the Inside of the Washer

This washer has a special cycle that uses higher water volumes in combination with affresh® Washer Cleaner or regular liquid chlorine bleach to thoroughly clean the inside of the washer. Steam washer models also utilize steam to enhance cleaning in this special cycle.

**IMPORTANT:** Do not use thickened, easy-pour, or no-splash bleach when running the Clean Washer with affresh® cycle as excess suds may occur.

**NOTE:** Read these instructions completely before beginning the cleaning process.

### Begin procedure

#### 1. Clean Washer with affresh® Cycle Procedure (Recommended for best performance):

- a. Open the washer door and remove any clothing or items.
- b. Use an affresh® Machine Cleaning Wipe or a soft, damp cloth or sponge to clean the inside door window.
- c. Add an affresh® Washer Cleaner tablet to the washer drum.
- d. Do not add the affresh® Washer Cleaner tablet to the dispenser drawer.
- e. Do not add any detergent or other chemical to the washer when following this procedure.
- f. Close the washer door.
- g. Select the Clean Washer with affresh® cycle.
- h. **On some models:** Select the FanFresh® option to help dry the washer interior after the cycle is complete.

**NOTE:** The washer remembers your last option selection and will use it for future wash cycles until you deselect that option.

- i. Touch and hold START/PAUSE to begin the cycle. The Clean Washer with affresh® cycle operation is described below.

#### 2. Chlorine Bleach Procedure:

- a. Open the washer door and remove any clothing or items.
- b. Open the single load dispenser drawer and add regular liquid chlorine bleach to the "MAX" line in both the bleach compartment and the fabric softener compartment. Either traditional or HE chlorine bleach can be used.

**IMPORTANT:** Do not use thickened, easy-pour, or no-splash bleach as excess suds may occur.

**NOTE:** Use of more liquid chlorine bleach than is recommended above could cause washer damage over time.

## WASHER CARE (cont.)

- c. Close the washer door and the dispenser drawer.
- d. Do not add any detergent or other chemicals to the washer when following this procedure.
- e. Select the Clean Washer with affresh® cycle.
- f. **On some models:** Select the FanFresh® option to help dry the washer interior after the cycle is complete.  
**NOTE:** The washer remembers your last option selection and will use it for future wash cycles until you deselect that option.
- g. Touch and hold START/PAUSE to begin the cycle. The Clean Washer with affresh® cycle operation is described below.

**NOTE:** For best results, do not interrupt cycle.

### Description of Clean Washer with affresh® Cycle Operation:

1. The Clean Washer with affresh® cycle will determine whether clothing or other items are in the washer.
2. If no items are detected in the washer, it will proceed with the cycle.
  - a. If any items are detected in the washer, “rL” (remove load) will be displayed. The door will unlock. Open washer and remove any garments from the washer drum.
  - b. Touch POWER to clear the “rL” code.
  - c. Touch and hold START/PAUSE to restart the cycle.
3. **Steam models only:** During the first 20 minutes of the cycle, it will activate the steamer but the drum will not spin or fill with water. You may see condensation on the door window during this initial phase. If you are using an affresh® Washer Cleaner tablet, it will not dissolve completely during the steam phase. This is normal.

After the cycle is complete, leave the door open slightly to allow for better ventilation and drying of the washer interior.

### Cleaning the Dispensers

After using the Clean Washer with affresh® cycle, you may find some residue buildup in the washer's dispensers.

To remove residue from the single load dispenser, remove the drawer and wipe the surfaces with an affresh® Machine Cleaning Wipe or a damp cloth and towel dry either before or after you run the Clean Washer with affresh® cycle. Use an all-purpose surface cleaner, if needed.

On some models: To remove residue from the Load & Go™ bulk dispenser, lift the handle on the dispenser housing and pull to remove it from the washer cabinet; then rinse the dispenser thoroughly with running water. Wipe the outside dispenser surface with an affresh® Machine Cleaning Wipe or a damp cloth, and towel dry. Use an all-purpose surface cleaner, if needed.

Replace the dispenser in the washer cabinet and make sure that it is correctly seated.

**IMPORTANT:** Dispensers are not dishwasher-safe.

### Cleaning the Outside of the Washer

Use an affresh® Machine Cleaning Wipe or a soft, damp cloth or sponge to wipe up any spills. Occasionally wipe the outside of your washer to help keep it looking new. Use an affresh® Machine Cleaning Wipe or mild soap and water.

**IMPORTANT:** To avoid damaging the washer's finish, do not use abrasive products.

## CLEAN WASHER CYCLE REMINDER

**NOTE:** Not all models have the Clean Washer with affresh® cycle reminder light.

The Clean Washer with affresh® LED will flash at the end of a wash cycle when the washer has run 30 wash cycles. This is a reminder to run the Clean Washer with affresh® cycle.

If the Clean Washer with affresh® cycle is not turned on, the LED will stop flashing at the end of a wash cycle after running three more regular wash cycles. After 30 more wash cycles are completed, the Clean Washer with affresh® LED will again flash at the end of a wash cycle as a reminder.

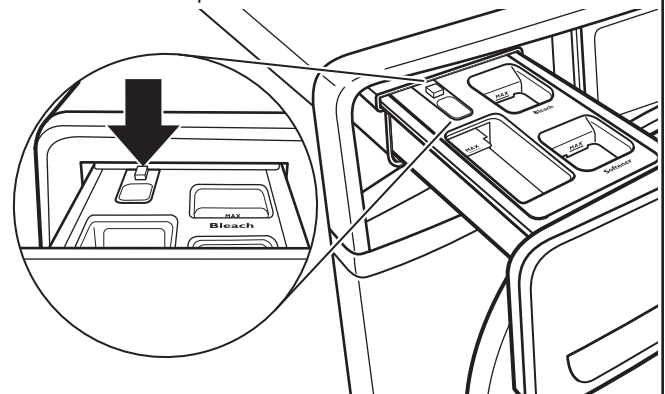
## REMOVING THE DISPENSER (cont.)

### Single Load Dispenser Drawer

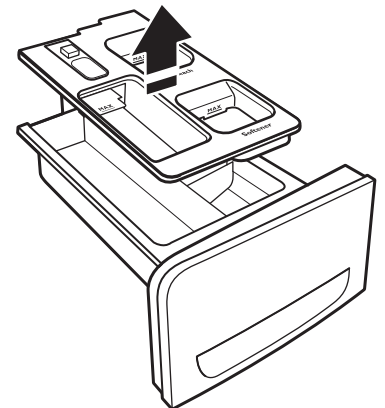
#### Removing the Dispenser

##### To remove:

1. Pull dispenser drawer out until it stops.
2. Press down on the release tab and pull straight out to remove the dispenser.

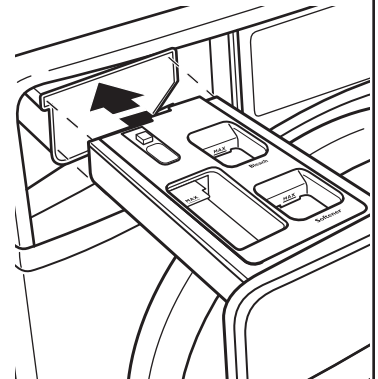


3. Lift off cover panel by pulling straight up.



##### To replace:

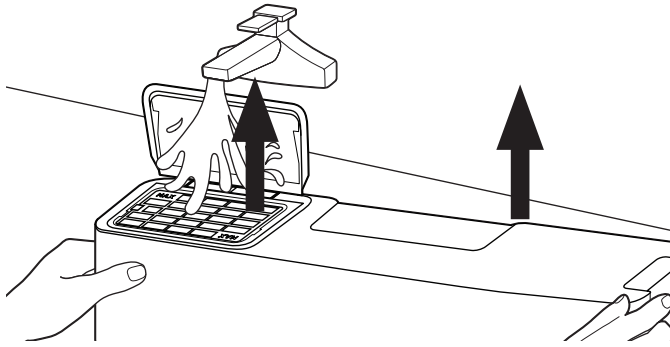
1. Position cover panel back onto posts on dispenser. Apply slight pressure on cover panel to seat it.
2. Align edges of dispenser with guides in washer; then slide dispenser back into slot.



## CLEANING LOAD & GO™ CONTAINERS (on some models)

It is recommended that you rinse out the Load & Go™ containers when refilling, when changing detergent types or concentrations, or when the washer will not be used for an extended period.

1. Pull the dispenser drawer out until it stops.
2. Lift out the Load & Go™ containers.
3. Lift the fill lid and flush interior thoroughly with warm water.



4. Allow to air dry.

**IMPORTANT:** Containers are not dishwasher-safe.

## NON-USE AND VACATION CARE

Operate your washer only when you are home. If moving or not using your washer for a period of time, follow these steps:

1. Unplug or disconnect power to washer.
2. Turn off water supply to washer to avoid flooding due to water pressure surges.

**HELPFUL TIP:** Attach a reminder note to the washer to turn the water back on before washer's next use.

3. Clean the dispensers. See "Cleaning the Dispensers."

## WINTER STORAGE CARE

**IMPORTANT:** To avoid damage, install and store washer where it will not freeze. Because some water may stay in hoses, freezing can damage washer. If storing or moving during freezing weather, winterize your washer.

### To winterize washer:

1. Shut off both water faucets; then disconnect and drain water inlet hoses.

**HELPFUL TIP:** Attach a reminder note to the washer to turn the water back on before washer's next use.

2. Put 1 qt. (1 L) of R.V.-type antifreeze in washer drum and run washer on Normal cycle for about 2 minutes to mix antifreeze and remaining water.
3. Unplug washer or disconnect power.

## TRANSPORTING YOUR WASHER

1. Shut off both water faucets. Disconnect and drain water inlet hoses.
2. If washer will be moved during freezing weather, follow "Winter Storage Care" directions before moving.
3. Disconnect drain hose from drain system and from back of washer.
4. Unplug power cord.
5. Place inlet hoses and drain hose inside washer drum.
6. Bundle power cord with a rubber band or cable tie to keep it from hanging to the ground.

**IMPORTANT:** Call for service to install new transport bolts. Do not reuse transport bolts. Washer must be transported in the upright position. To avoid structural damage to your washer, it must be properly set up for relocation by a certified technician.

## ⚠ WARNING



### Electrical Shock Hazard

Plug into a grounded 3 prong outlet.

**Do not remove ground prong.**

**Do not use an adapter.**

**Do not use an extension cord.**

**Failure to follow these instructions can result in death, fire, or electrical shock.**

## REINSTALLING/USING WASHER AGAIN

To reinstall washer after non-use, vacation, winter storage, or moving:

1. Refer to Installation Instructions to locate, level, and connect washer.
2. Before using again, run washer through the following recommended procedure:

### To use washer again:

1. Flush water pipes and hoses. Reconnect water inlet hoses. Turn on both water faucets.
2. Plug in washer or reconnect power.
3. Run washer through Heavy Duty cycle to clean washer and remove antifreeze, if used. Use only HE detergent. Use half the manufacturer's recommended amount for a medium-size load.

## ⚠ WARNING



### Electrical Shock Hazard

Disconnect power before cleaning.

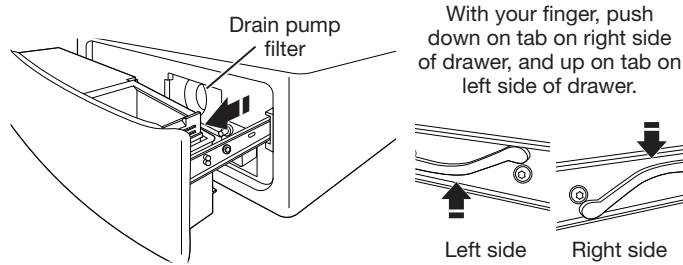
Replace all parts and panels before operating.

Failure to do so can result in death or electrical shock.

## CLEANING THE DRAIN PUMP FILTER/ DRAINING RESIDUAL WATER (on some models)

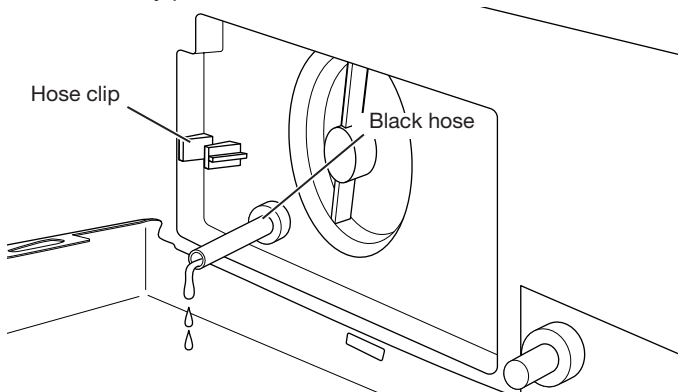
**NOTE:** Perform the following procedure occasionally.

1. Open the dispenser drawer by pulling on the handle at the base of the washer/dryer. This will reveal the drain pump filter. Remove the drawer by releasing the tab on each side.

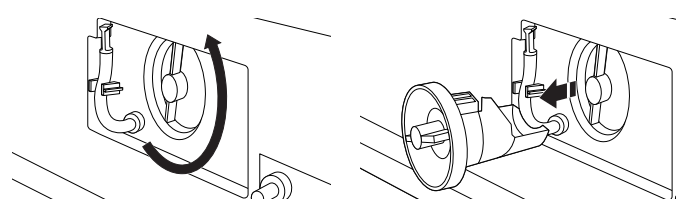


2. Place a broad, flat container beneath the drain pump filter to collect the drain water. Release the black hose from the hose clip, remove the plug, and drain the hose into the container. Empty the container. Repeat this procedure if necessary until all the water has drained. Make sure that the black hose is completely dry, replace the plug, and secure the hose in the clip.

**NOTE:** If water does not drain well, push in hose slightly to remove any possible kinks.

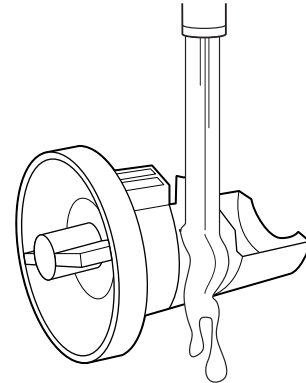


3. Lay a cotton cloth beneath the drain pump filter to absorb any water still in it. Then remove the drain pump filter by turning it counterclockwise.

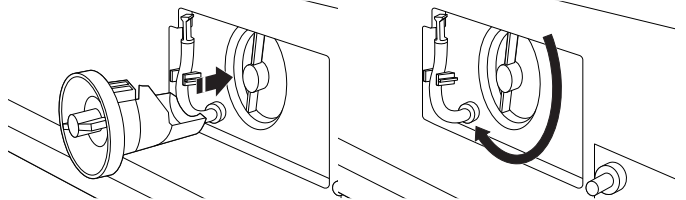


## CLEANING THE DRAIN PUMP FILTER/ DRAINING RESIDUAL WATER (cont.)

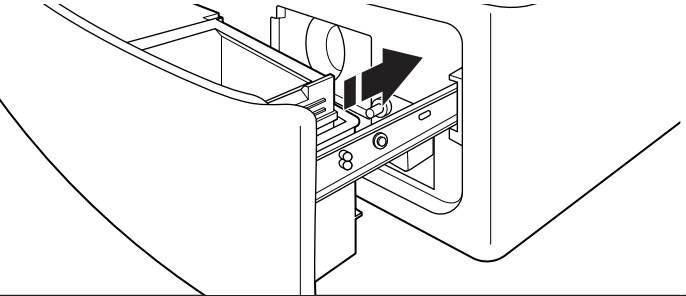
4. Remove large clumps of lint by hand from the filter and place lint in a suitable waste container. Remove remaining residue from the filter by rinsing with water.



5. Reinsert the drain pump filter by turning it clockwise. Make sure to turn it in as far as it will go, with the filter handle remaining as close as possible to the vertical position.

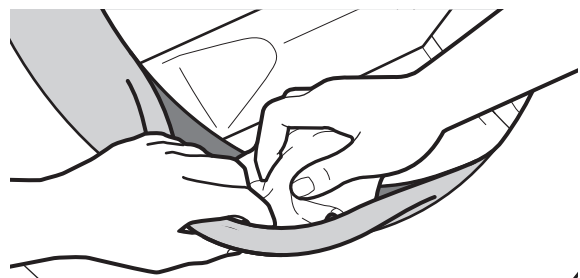


6. Replace and close the dispenser drawer. Make sure to insert both rails simultaneously when replacing the drawer. You will hear a clicking sound that indicates the rails have engaged. To ensure proper placement of the drawer, pull out fully. The drawer should be fully engaged and the rails locked in place. Make sure the drain hose is secured in the hose clip and tucked underneath the cutout.



## ADDITIONAL CLEANING

Gently pull back the rubber door seal and clean any stained areas, soil buildup, or lint with the textured side of an affresh® Machine Cleaning Wipe.



# TROUBLESHOOTING

First try the solutions suggested here or visit our website at [www.whirlpool.com/owners](http://www.whirlpool.com/owners) (in Canada [www.whirlpool.ca/owners](http://www.whirlpool.ca/owners)) for assistance and to possibly avoid a service call.

If you experience	Possible Causes	Solution
<b>Error Code Appears in Display (for 2- and 3-digit displays)</b>		
Once any possible issues are corrected, touch POWER once to clear the code. Reselect and restart the cycle.		
"Sd" or "SUD" (excess suds) appears in display	Excessive suds in washer. Washer is running a suds reduction routine.	Allow the washer to continue. Use only HE detergent. Always follow the detergent manufacturer's instructions to determine the amount of detergent to use, and base detergent quantity on load size. Not all detergents labeled as High Efficiency are identical in formulation and their ability to reduce suds. For example, natural, organic, or homemade HE detergents may generate a high level of suds. If you use one of these and see a "SUD" error code appear in the display, consider using a different HE detergent.
"Lo" followed by "FL" or "F8" followed by "E1" or "Lo" followed by "FL" or "F08" followed by "E01" (water supply error) appears in display	Check for proper water supply.	Unit will drain for 8 minutes while door remains locked. The drain cycle must be allowed to complete, or the error code cannot reset. When complete, touch POWER once to clear the code. Then touch POWER again to restart washer. If code appears again, call for service.
		Both hoses must be attached and have water flowing to the inlet valve.
		Both hot and cold water faucets must be on.
		Inlet valve screens on washer may be clogged.
		Remove any kinks in the inlet hose.  If used, auto shut-off connectors and hoses must be properly installed and in working order.
"F9" followed by "E1" or "F09" followed by "E01" (drain pump system error) appears in display	Check plumbing for correct drain hose installation. Drain hose extends into standpipe farther than 4½" (114 mm).	Check drain hose for proper installation.
		Make sure the drain hose is not kinked, pinched, or blocked.
		Remove any clogs from drain hose.
		Use drain hose form and securely attach to drainpipe or tub.
		Lower drain hose if the end is higher than 96" (2.4 m) above the floor.
"F5" followed by "E2" or "F05" followed by "E02" (door will not lock) appears in display	Washer door not locking.	Touch POWER to cancel the cycle. Check that the door is closed completely and latching. Check for items in the washer drum that may be keeping the door from closing completely.

# TROUBLESHOOTING

First try the solutions suggested here or visit our website at [www.whirlpool.com/owners](http://www.whirlpool.com/owners) (in Canada [www.whirlpool.ca/owners](http://www.whirlpool.ca/owners)) for assistance and to possibly avoid a service call.

If you experience	Possible Causes	Solution
<b>Error Code Appears in Display (for 2- and 3-digit displays) (cont.)</b>		
"rL" (remove load) appears in display	Load detected in drum during Clean Washer with affresh® cycle.	Remove items from washer drum and restart Clean Washer with affresh® cycle.

## **WARNING**



### **Electrical Shock Hazard**

**Plug into a grounded 3 prong outlet.**

**Do not remove ground prong.**

**Do not use an adapter.**

**Do not use an extension cord.**

**Failure to follow these instructions can result in death, fire, or electrical shock.**

F# E# or F## E## code other than as described above appears in display	System error code.	Touch POWER once to clear the code. Then touch POWER again to restart washer. If code appears again, call for service. Unplug washer for 30 seconds; then plug back in.
Washer making error beeps	Door has not been opened and closed for at least three cycles.	This code may occur when the washer is first turned on. Open and close the door to clear the display.
Washer beeps when Start/ Pause is touched	Door not closed.	Close the door completely.
Clean Washer LED flashing at end of wash cycle (on some models)	The washer has run 30 wash cycles and is indicating a reminder to run the Clean Washer with affresh® cycle.	Run the Clean Washer with affresh® cycle. If the Clean Washer with affresh® cycle is not turned on, the LED will stop flashing at the end of a wash cycle after running three more regular wash cycles. After 30 more wash cycles are completed, the Clean Washer with affresh® LED will again flash at the end of a wash cycle as a reminder.

# TROUBLESHOOTING

First try the solutions suggested here or visit our website at [www.whirlpool.com/owners](http://www.whirlpool.com/owners)  
(in Canada [www.whirlpool.ca/owners](http://www.whirlpool.ca/owners)) for assistance and to possibly avoid a service call.

If you experience	Possible Causes	Solution
<b>Vibration or Off-Balance</b>		
Vibration, rocking, or "walking"	Feet may not be in contact with the floor and locked.	Front and rear feet must be in firm contact with floor, and washer must be level to operate properly. Jam nuts must be tight against the bottom of the cabinet.
	Washer may not be level.	Check floor for flexing or sagging. If flooring is uneven, a 3/4" (19 mm) piece of plywood under your washer will reduce sound. Do not install washer on a raised wooden platform. See "Level the Washer" in Installation Instructions.
	Load could be unbalanced or too large.	Avoid tightly packing the load. Avoid washing single items. Balance a single item such as a rug or jeans jacket with a few extra items. Item or load not suitable for selected cycle. See "Cycle Guide" and "Using Your Washer."
	The shipping bolts are still in the back of the washer.	See "Remove transport bolts from washer" in the Installation Instructions.
<b>Noises</b>		
Clicking or metallic noises	Door locking or unlocking.	After starting a cycle the drum will make a partial turn and the door will lock. The door will remain locked until the end of cycle. This is normal.
	Objects caught in washer drain system.	Empty pockets before washing. Loose items such as coins could fall between washer drum and tub or may block pump. It may be necessary to call for service to remove items. It is normal to hear metal items on clothing such as metal snaps, buckles, or zippers touch against the stainless steel drum.
Gurgling or humming	Washer may be draining water.	The pump may make a humming sound with periodic gurgling or surging as final amounts of water are removed during the spin/drain cycles. This is normal at certain stages of the cycle.
Rolling or sloshing and occasional clicking (on slow-speed spin)	Steel balls in the balancing system are balancing the load.	This is normal at certain stages of the cycle.
<b>Water Leaks</b>		
Check the following for proper installation	Fill hoses not attached tightly.	Tighten fill-hose connection.
	Fill hose washers.	Properly seat all four fill-hose flat washers.
	Drain hose connection.	Check that the drain hose is properly secured to drainpipe or laundry tub.
	One some models: Drain pump filter is not properly seated.	One some models: Make sure filter is correctly placed in the housing. See "Cleaning the Drain Pump Filter/Draining Residual Water."
	Check household plumbing for leaks or clogged sink or drain.	Water can back up out of a clogged sink or drainpipe. Check all household plumbing for leaks (laundry tubs, drain pipe, water pipes, and faucets.)
Strainer (or nylon stocking) on end of drain hose is clogged.	Remove strainer/stocking from drain hose.	

# TROUBLESHOOTING

First try the solutions suggested here or visit our website at [www.whirlpool.com/owners](http://www.whirlpool.com/owners)  
(in Canada [www.whirlpool.ca/owners](http://www.whirlpool.ca/owners)) for assistance and to possibly avoid a service call.

If you experience	Possible Causes	Solution
<b>Water Leaks (cont.)</b>		
Water or suds leaking from door or rear of cabinet	Not using HE detergent or using too much HE detergent.	Only use HE detergent. Suds from regular detergents can cause leaking from the door or rear of cabinet. Always measure detergent and follow manufacturer's directions based on your load requirements.
	Using thickened, easy-pour, or no-splash bleach when running the Clean Washer with affresh® cycle.	Use affresh® tablet or regular, non-thickened chlorine bleach when running the Clean Washer with affresh® cycle.
	Residue on door window.	Periodically clean the underside of the window to avoid potential leaks.
	Door opened during "Add Garment."	Water can drip off the inside of the door when the door is opened after the start of a cycle.
Leaking around door	Hair, lint, or other debris on inner door window preventing proper seal with rubber door seal.	Clean inner door window and seal. See "Cleaning the Door Seal" in the "Washer Maintenance" section.
<b>Washer Not Performing As Expected</b>		
Load not completely covered in water	Water level not visible on door or does not cover clothes.	This is normal for an HE front-load washer. The washer senses load sizes and adds the correct amount of water for optimal cleaning.
Washer won't run or fill; washer stops working	Check for proper water supply.	Both hoses must be attached and have water flowing to the inlet valve.
		Both hot and cold water faucets must be turned on.
		Check that inlet valve screens have not become clogged.
		Check for any kinks in inlet hoses, which can restrict water flow.

## ⚠ WARNING



### Electrical Shock Hazard

**Plug into a grounded 3 prong outlet.**

**Do not remove ground prong.**

**Do not use an adapter.**

**Do not use an extension cord.**

**Failure to follow these instructions can result in death, fire, or electrical shock.**

Washer won't run or fill; washer stops working (cont.)	Check proper electrical supply.	Plug power cord into a grounded 3 prong outlet.
		Do not use an extension cord.
		Ensure there is power to outlet.
		Do not plug into a GFCI (Ground Fault Circuit Interrupter).
		Check electrical source or call an electrician to check if voltage is low.
		Reset a tripped circuit breaker. Replace any blown fuses.
		<b>NOTE:</b> If problems continue, contact an electrician.



# TROUBLESHOOTING

First try the solutions suggested here or visit our website at [www.whirlpool.com/owners](http://www.whirlpool.com/owners)  
(in Canada [www.whirlpool.ca/owners](http://www.whirlpool.ca/owners)) for assistance and to possibly avoid a service call.

If you experience	Possible Causes	Solution
<b>Washer Not Performing As Expected (cont.)</b>		
Washer won't run or fill; washer stops working (cont.)	The load size is being sensed.	After the load size is sensed, the estimated time based on load size will be displayed and water will be added.
	Normal washer operation.	Door must be completely closed and latched for washer to run.
		The washer pauses for about 2 minutes during certain cycles. Allow the cycle to continue. Some cycles feature periods of tumbling and soak.
		Washer may be stopped to reduce suds. Use only a proper amount of HE detergent.
		Cold Wash uses less water in the beginning of the cycle to provide a high concentration of detergent for optimal cleaning action. Following this concentrated tumbling, more water is used to complete the wash.
		During the first 20 minutes of the Clean Washer with affresh® cycle, it will activate the steamer but the drum will not spin or fill with water. You may see condensation on the door window during this initial phase. If you are using an affresh® Washer Cleaner tablet, it will not dissolve completely during the steam phase. This is normal.
	The washer door is not firmly shut.	The door must be closed during operation.
	On some models: The Load & Go™ bulk dispenser is not fully seated in the washer.	Make sure that the Load & Go™ bulk dispenser is fully seated in the washer, and that the lid on the bulk dispenser is firmly closed.
	Washer not loaded as recommended.	Remove several items and rearrange load evenly in washer drum. Close door; then touch and hold START/PAUSE.
		Do not add more than one or two additional items after cycle has started to avoid tightly packing or unbalancing.
Do not add more water to the washer.		
Not using HE detergent or using too much HE detergent.	Only use HE detergent. Suds from regular detergents can slow or stop the washer. Always measure detergent, following manufacturer's directions based on your load requirements.	
	To remove suds, cancel cycle. Select DRAIN & SPIN with EXTRA RINSE. Touch START/PAUSE. Do not add more detergent.	
	Make sure the Load & Go™ bulk dispenser is disabled if you are using a single dose of detergent.	
Door not opened between cycles.	After any wash cycle is completed, the door must be opened and then closed before a new cycle can begin.	
Washer not draining/spinning; loads are still wet	Drain hose extends into standpipe farther than 4.5" (114 mm).	Check drain hose for proper installation. Use drain hose form and securely attach to drainpipe or tub. Do not tape over drain opening.
	The drain hose is clogged, or the end of the drain hose more than 96" (2.4 m) above the floor.	Lower drain hose if the end is higher than 96" (2.4 m) above the floor. Remove any clogs from drain hose. See "Installation Requirements" in Installation Instructions.
	Strainer/stocking on end of drain hose.	Remove strainer/stocking from drain hose.
	The drain hose fits too tightly in the standpipe, or it is taped to the standpipe.	The drain hose should be loose yet fit securely. Do not seal the drain hose with tape. The hose needs an air gap. See "Secure the Drain Hose" in Installation Instructions.

# TROUBLESHOOTING

First try the solutions suggested here or visit our website at [www.whirlpool.com/owners](http://www.whirlpool.com/owners) (in Canada [www.whirlpool.ca/owners](http://www.whirlpool.ca/owners)) for assistance and to possibly avoid a service call.

If you experience	Possible Causes	Solution
<b>Washer Not Performing As Expected (cont.)</b>		
Washer not draining/spinning; loads are still wet (cont)	Using cycles with a slower spin speed.	Cycles with slower spin speeds remove less water than cycles with fast spin speeds. Use the recommended cycle/speed spin for your garment.
	Washer not loaded as recommended.	A tightly packed or unbalanced load may not allow the washer to spin correctly, leaving the load wetter than normal. See the Cycle Guide for load size recommendation for each cycle.
	The load may be out of balance.	Avoid washing single items. Balance a single item, such as a rug or jeans jacket with a few extra items.
	Not using HE detergent or using too much HE detergent.	Use only HE detergent. Suds from regular detergent or using too much detergent can slow or stop draining or spinning. Always measure and follow manufacturer's directions for your load. To remove extra suds, select DRAIN & SPIN with EXTRA RINSE. Do not add detergent.
	Small items may have been caught in the pump or stuck between the washer drum and the outer tub.	Check the drum for any items sticking through the drum holes. Empty pockets and use garment bags when washing small items.
	There are too many clothes in the Wash & Dry cycle.	Only use the Wash & Dry cycle for two to four lightly soiled synthetic garments, athletic uniforms, or workout wear.
	One some models: Drain pump filter is dirty.	One some models: Clean drain pump filter. See "Cleaning the Drain Pump Filter/Draining Residual Water."
Wash cycle has been canceled and door opened before water has drained.	Run Drain & Spin to remove any excess water.	
Washer is spinning clothes without water	The washer is measuring the mass of the dry load.	This measurement is normal and ensures the best cycle time for your load.
Door locked at end of wash cycle	Water remaining in washer after cycle.	Select DRAIN & SPIN to remove any water remaining in the washer. The washer door will unlock at the end of the drain.
Door will not unlock	Door locks when cycle has started.	If the "Add Garment" light is lit, touch START/PAUSE once. The door will unlock.
Incorrect or wrong wash or rinse temperatures	Check for proper water supply.	Make sure hot and cold inlet hoses are not reversed.
		Both hoses must be attached to both washer and faucet, and have both hot and cold water flowing to inlet valve.
		Check that inlet valve screens are not clogged.
Washing many loads.	Your hot water tank may not have enough hot water to keep up with the number of hot or warm washes. This is normal.	
Desired setting or option does not light	For best performance, not all settings are available with each cycle, and some options cannot be used together.	See "Cycle Guide" for the available settings and options for each cycle.
Load not rinsed	Check for proper water supply.	Make sure hot and cold inlet hoses are not reversed.
		Both hoses must be attached and have water flowing to the inlet valves.
		Both hot and cold water faucets must be on.
		Inlet valve screens on washer may be clogged.
	Not using HE detergent or using too much HE detergent.	The suds from non-HE detergent can cause the washer to operate incorrectly.
Use only HE detergent. Always measure detergent and follow manufacturer's directions based on load size and soil level.		

# TROUBLESHOOTING

First try the solutions suggested here or visit our website at [www.whirlpool.com/owners](http://www.whirlpool.com/owners)  
(in Canada [www.whirlpool.ca/owners](http://www.whirlpool.ca/owners)) for assistance and to possibly avoid a service call.

If you experience	Possible Causes	Solution
<b>Washer Not Performing As Expected (cont.)</b>		
Load not rinsed (cont.)	Washer not loaded as recommended.	Avoid tightly packing the washer. The washer will not rinse well if tightly packed. Load with dry items only. See "Cycle Guide" for load size recommendations for each cycle. Use cycle designed for the fabrics being washed. Add only one or two garments after washer has started.
	The load may be out of balance.	When load imbalance occurs, a washing process will start to redistribute the load. This may lengthen the cycle time. Avoid washing single items. Balance a single item, such as a rug or jeans jacket, with a few extra items.
Load is wrinkled, twisted, or tangled	Washer not loaded as recommended.	Add load loosely. Items need to move freely to reduce wrinkling and tangling. See "Cycle Guide" for load size recommendations for each cycle. Reduce tangling by mixing types of load items. Use the recommended cycle for the type of garments being washed.
	Wash action too long for load.	Select a lower soil level. Note that items will not be cleaned as deeply as when using a higher soil level.
	Spin speed too fast for load.	Select a slower spin speed. Note that items will be wetter than when using a faster spin speed.
	The washer is not unloaded promptly.	Unload the washer as soon as it stops or use FanFresh® option if you will not be able to unload the washer at the end of the cycle.
	Not choosing the right cycle for the load being washed.	Use the Delicates cycle or another cycle with a slow spin speed to reduce wrinkling.
	The wash water was not warm enough to relax wrinkles.	If safe for load, use warm or hot wash water.
Not cleaning or removing stains	Washer not loaded as recommended.	Add load loosely. Items need to move freely for best cleaning. See "Cycle Guide" for load size recommendations for each cycle. Add only one or two garments after washer has started.
	Not using HE detergent or using too much HE detergent.	Use only HE detergent. Always measure detergent and follow manufacturer's directions based on load size and soil level.
	Hard water or high level of iron (rust) in water.	You may need to install a water softener and/or iron filter.
	Fabric softener dispensing ball used.	Dispensing balls will not operate correctly with this washer. Add liquid fabric softener to the fabric softener compartment.
	Powdered detergent used for slow-speed cycle.	Consider using liquid detergent.

# TROUBLESHOOTING

First try the solutions suggested here or visit our website at [www.whirlpool.com/owners](http://www.whirlpool.com/owners)  
(in Canada [www.whirlpool.ca/owners](http://www.whirlpool.ca/owners)) for assistance and to possibly avoid a service call.

If you experience	Possible Causes	Solution
<b>Washer Not Performing As Expected (cont.)</b>		
Not cleaning or removing stains (cont.)	Not using correct cycle for fabric type.	Use a higher soil level setting and warmer wash temperature to improve cleaning.
		If using Quick Wash cycle, wash only a few items.
		Use Whites and Heavy Duty cycles for tough cleaning.
		Add an extra rinse for heavily soiled loads.
	Not using dispensers.	Use dispensers to avoid chlorine bleach and fabric softener staining.
		Load dispensers before starting a cycle.
		On some models: Make sure that the Load & Go™ bulk dispenser liquid detergent dispenser is not empty.
		Avoid overfilling.
Do not add products other than those specified directly to load.		
Dispense cartridge is empty.	Fill dispense cartridge to the “MAX” line with HE liquid detergent.	
Detergent dispenser is not securely in place.	Pull out the dispenser, fill with detergent, and slide it back in place.	
Not washing like colors together.	Wash like colors together and remove promptly after the cycle is complete to avoid dye transfer.	
Not enough detergent used, or hard water.	Use more detergent for washing heavy soils in cold or hard water.	
Odors	Monthly maintenance not done as recommended.	Run the Clean Washer with affresh® cycle monthly or every 30 wash cycles. See “Washer Care” in the “Washer Maintenance” section.
		Unload washer as soon as cycle is complete. Use the FanFresh® option if load cannot be removed immediately after the wash is complete.
	Not using HE detergent or using too much HE detergent.	Use only HE detergent. Be sure to measure correctly. Always follow the manufacturer’s directions.
		See the “Washer Care” section.
Door not left open after use.	This washer has a tight seal to avoid water leaks. To avoid odors, leave the door open to allow the washer to dry between uses.	
Fabric damage	Sharp items were in pockets during wash cycle.	Empty pockets, zip zippers, and snap or hook fasteners before washing to avoid snags and tears.
	Strings and straps could have tangled.	Tie all strings and straps before starting wash load.
	Items may have been damaged before washing.	Mend rips and broken threads in seams before washing.
	Fabric damage can occur if washer is tightly packed.	Avoid tightly packing the washer. Load with dry items only.
		Use cycle designed for the fabrics being washed.
		Add only one or two garments after washer has started.
	Fabric damage can occur if washer door is closed on an item, trapping it between the door window and the rubber seal.	Do not overfill the washer.
		Push wash load fully into the washer.
Liquid chlorine bleach may have been added incorrectly.	Do not pour liquid chlorine bleach directly onto load. Wipe up bleach spills.	
	Undiluted bleach will damage fabrics. Do not use more than recommended by manufacturer.	

# TROUBLESHOOTING

First try the solutions suggested here or visit our website at [www.whirlpool.com/owners](http://www.whirlpool.com/owners) (in Canada [www.whirlpool.ca/owners](http://www.whirlpool.ca/owners)) for assistance and to possibly avoid a service call.

If you experience	Possible Causes	Solution
<b>Washer Not Performing As Expected (cont.)</b>		
Gray whites, dingy colors	Load not sorted properly.	The transfer of dye can occur when mixing whites and colors in a load. Sort dark clothes from whites and lights.
	Wash temperatures too low.	Use hot or warm temperatures if safe for the load. Make sure your hot water system is adequate to provide a hot water wash.
	Not enough detergent used, or hard water.	Use more detergent for washing heavy soils in cold or hard water.
Incorrect dispenser operation	Clogged dispensers or laundry products dispensing too soon.	Do not overfill dispenser. Overfilling causes immediate dispensing.
		Load dispensers before starting a cycle.
		Homes with low water pressure may result in residual powder in the dispenser. To avoid, select a warmer wash temperature if possible, depending on your load.
	Liquid chlorine bleach not used in bleach compartment.	Use only liquid chlorine bleach in the bleach compartment.
	Water in dispenser after cycle has finished.	It is normal for small amounts of water to remain in dispenser at the end of the cycle.
Single-dose laundry packet not dissolving	Adding laundry packet incorrectly.	Be sure laundry packet is added to washer drum before adding clothes. Do not add packet to dispenser. Follow the manufacturer's instructions to avoid damage to your garments.
Cycle time changes or cycle time too long	Normal washer operation.	The cycle times vary automatically based on your water pressure, water temperature, detergent, and clothes load. The options you select will also affect the cycle times.
	Excessive suds in washer.	When excessive suds are detected, a special suds routine automatically starts to remove extra suds and ensure proper rinsing of your garments. This routine will add time to the original cycle.
	Load may be out of balance.	When load unbalance occurs, a washing process will start to redistribute the load. This extends the cycle time. Avoid washing single items. Balance a single item such as a rug or jeans jacket with a few extra items.
	Not using correct cycle for load type.	The Quick Wash cycle is designed for smaller load sizes (2-4 items) of lightly soiled garments. If larger loads are washed in this cycle, cycle time will be increased.
When using the Quick Wash or Delicates cycle, you should wash small loads. This ensures a gentle wash for your garments without increasing cycle time.		
The controls are not responding	Control Lock is On.	Touch and hold CONTROL LOCK for 3 seconds to turn off Control Lock. For each second Control Lock is held down, the display will count down one second: you will see "3," then "2," then "1."

# TROUBLESHOOTING

First try the solutions suggested here or visit our website at [www.whirlpool.com/owners](http://www.whirlpool.com/owners)  
(in Canada [www.whirlpool.ca/owners](http://www.whirlpool.ca/owners)) for assistance and to possibly avoid a service call.

If you experience	Possible Causes	Solution
<b>Drying Results</b>		
Clothes are not drying satisfactorily or drying times are too long	The load is too large and heavy to dry quickly.	Separate the load to tumble freely. Loading drum a quarter full or less will improve drying performance and cycle time. Run a high-speed spin cycle.
Lint on load	Area under door seal is clogged with lint.	Gently pull back the rubber door seal and clean lint with the textured side of an affresh® Machine Cleaning Wipe.
	On some models: Drain pump filter is clogged with lint.	On some models: Clean the drain pump filter. See “Cleaning the Drain Pump Filter/Draining Residual Water.” This procedure should be performed occasionally.
Dried loads are wrinkled	The load was not removed from washer at the end of the drying cycle.	Remove garments promptly at the end of the drying cycle, or use the FanFresh® option.
	The washer was tightly packed.	Dry smaller loads that can tumble freely. Loading drum a quarter full or less will improve drying performance and cycle time. Results may also vary depending on fabric type.
Load too hot	Load removed before cool-down portion of cycle is complete.	Allow the drying cycle to complete the cool-down portion of the cycle before removing the load. If you cancel the cycle before the cool-down portion of the cycle and immediately remove the load, it will be very hot.

# WHIRLPOOL® LAUNDRY LIMITED WARRANTY

ATTACH YOUR RECEIPT HERE. PROOF OF PURCHASE IS REQUIRED TO OBTAIN WARRANTY SERVICE. Please have the following information available when you call the Customer eXperience Center:

- Name, address, and telephone number
- Model number and serial number
- A clear, detailed description of the problem
- Proof of purchase including dealer or retailer name and address

## IF YOU NEED SERVICE:

1. Before contacting us to arrange service, please determine whether your product requires repair. Some questions can be addressed without service. Please take a few minutes to review the Troubleshooting section of the Use and Care Guide or visit the "HOW-TOS & FAQs" section of <https://www.whirlpool.com/owners.html>.
2. All warranty service is provided exclusively by our authorized Whirlpool Service Providers. In the U.S. and Canada, direct all requests for warranty service to:

**Whirlpool Customer eXperience Center**

**In the U.S.A. call 1-866-698-2538. In Canada call 1-800-807-6777.**

If outside the 50 United States and Canada, contact your authorized Whirlpool dealer to determine if another warranty applies.

## ONE YEAR LIMITED WARRANTY

### WHAT IS COVERED

For one year from the date of purchase, when this major appliance is installed, operated, and maintained according to instructions attached to or furnished with the product, Whirlpool Corporation or Whirlpool Canada LP (hereafter "Whirlpool") will pay for Factory Specified Replacement Parts and repair labor to correct defects in materials or workmanship that existed when this major appliance was purchased, or at its sole discretion replace the product. In the event of product replacement, your appliance will be warranted by the remaining term of the original unit's warranty period.

**YOUR SOLE AND EXCLUSIVE REMEDY UNDER THIS LIMITED WARRANTY SHALL BE PRODUCT REPAIR AS PROVIDED HEREIN.** Service must be provided by a Whirlpool designated service company. This limited warranty is valid only in the United States or Canada and applies only when the major appliance is used in the country in which it was purchased. This limited warranty is effective from the date of original consumer purchase. Proof of original purchase date is required to obtain service under this limited warranty.

### WHAT IS NOT COVERED

1. Commercial, non-residential, multiple-family use, or use inconsistent with published user, operator, or installation instructions.
2. In-home instruction on how to use your product.
3. Service to correct improper product maintenance or installation, installation not in accordance with electrical or plumbing codes, or correction of household electrical or plumbing (e.g., house wiring, fuses, or water inlet hoses).
4. Consumable parts (e.g., light bulbs, batteries, air or water filters, preservation solutions).
5. Defects or damage caused by the use of non-genuine Whirlpool parts or accessories.
6. Conversion of your product from natural gas or propane gas or reversal of appliance doors.
7. Damage from accident, misuse, abuse, fire, floods, acts of God, or use with products not approved by Whirlpool.
8. Repairs to parts or systems to correct product damage or defects caused by unauthorized service, alteration, or modification of the appliance.
9. Cosmetic damage including scratches, dents, chips, and other damage to appliance finishes unless such damage results from defects in materials and workmanship and is reported to Whirlpool within 30 days.
10. Discoloration, rust, or oxidation of surfaces resulting from caustic or corrosive environments, including but not limited to, high salt concentrations, high moisture or humidity, or exposure to chemicals.
11. Pick-up or delivery. This product is intended for in-home repair.
12. Travel or transportation expenses for service in remote locations where an authorized Whirlpool servicer is not available.
13. Removal or reinstallation of inaccessible appliances or built-in fixtures (e.g., trim, decorative panels, flooring, cabinetry, islands, countertops, drywall) that interfere with servicing, removal, or replacement of the product.
14. Service or parts for appliances with original model/serial numbers removed, altered, or not easily determined.

**The cost of repair or replacement under these excluded circumstances shall be borne by the customer.**

### DISCLAIMER OF IMPLIED WARRANTIES

IMPLIED WARRANTIES, INCLUDING ANY IMPLIED WARRANTY OF MERCHANTABILITY OR IMPLIED WARRANTY OF FITNESS FOR A PARTICULAR PURPOSE, ARE LIMITED TO ONE YEAR OR THE SHORTEST PERIOD ALLOWED BY LAW. Some states and provinces do not allow limitations on the duration of implied warranties of merchantability or fitness, so this limitation may not apply to you. This warranty gives you specific legal rights, and you also may have other rights that vary from state to state or province to province.

### DISCLAIMER OF REPRESENTATIONS OUTSIDE OF WARRANTY

Whirlpool makes no representations about the quality, durability, or need for service or repair of this major appliance other than the representations contained in this Warranty. If you want a longer or more comprehensive warranty than the limited warranty that comes with this major appliance, you should ask Whirlpool or your retailer about buying an extended warranty.

### LIMITATION OF REMEDIES; EXCLUSION OF INCIDENTAL AND CONSEQUENTIAL DAMAGES

**YOUR SOLE AND EXCLUSIVE REMEDY UNDER THIS LIMITED WARRANTY SHALL BE PRODUCT REPAIR AS PROVIDED HEREIN. WHIRLPOOL SHALL NOT BE LIABLE FOR INCIDENTAL OR CONSEQUENTIAL DAMAGES.** Some states and provinces do not allow the exclusion or limitation of incidental or consequential damages, so these limitations and exclusions may not apply to you. This warranty gives you specific legal rights, and you also may have other rights that vary from state to state or province to province.

# SÉCURITÉ DE LA LAVEUSE

## Votre sécurité et celle des autres est très importante.

Nous donnons de nombreux messages de sécurité importants dans ce manuel et sur votre appareil ménager. Assurez-vous de toujours lire tous les messages de sécurité et de vous y conformer.



Voici le symbole d'alerte de sécurité.

Ce symbole d'alerte de sécurité vous signale les dangers potentiels de décès et de blessures graves à vous et à d'autres.

Tous les messages de sécurité suivront le symbole d'alerte de sécurité et le mot "DANGER" ou "AVERTISSEMENT". Ces mots signifient :

**⚠ DANGER**

**Risque possible de décès ou de blessure grave si vous ne suivez pas immédiatement les instructions.**

**⚠ AVERTISSEMENT**

**Risque possible de décès ou de blessure grave si vous ne suivez pas les instructions.**

Tous les messages de sécurité vous diront quel est le danger potentiel et vous disent comment réduire le risque de blessure et ce qui peut se produire en cas de non-respect des instructions.

## IMPORTANTES INSTRUCTIONS DE SÉCURITÉ

**AVERTISSEMENT** : Pour réduire les risques d'incendie, de choc électrique ou de blessures lors de l'utilisation de la laveuse, suivre les précautions fondamentales dont les suivantes :

- Lire toutes les instructions avant d'utiliser la laveuse.
- Ne pas laver des articles qui ont été nettoyés ou lavés avec de l'essence ou imbibés d'essence, solvants de nettoyage à sec, ou autres substances inflammables ou explosives; ces substances peuvent émettre des vapeurs susceptibles de s'enflammer ou d'exploser.
- Ne pas ajouter d'essence, solvant de nettoyage à sec ou autre produit inflammable ou explosif dans l'eau de lavage. Ces substances peuvent émettre des vapeurs susceptibles de s'enflammer ou d'exploser.
- Dans certaines conditions, de l'hydrogène gazeux peut se former dans un circuit d'eau chaude qui n'a pas été utilisé pendant 2 semaines ou plus. **LE GAZ HYDROGÈNE EST EXPLOSIBLE.** Si le circuit d'eau chaude n'a pas été utilisé pendant une telle période, avant d'utiliser la laveuse, ouvrir tous les robinets d'eau chaude et laisser l'eau s'écouler pendant plusieurs minutes par chaque robinet. Ceci permettra l'évacuation de l'hydrogène gazeux accumulé. Comme ce gaz est inflammable, ne pas fumer ou utiliser une flamme nue au cours de cette période.
- Ne pas laisser des enfants jouer sur ou à l'intérieur de la laveuse. Bien surveiller les enfants lorsque la laveuse est utilisée à proximité d'enfants.
- Avant de mettre la laveuse au rebut ou hors de service, enlever la porte ou le couvercle.
- Ne pas tenter d'atteindre un article à l'intérieur de la cuve de la laveuse lorsque le tambour, la cuve ou l'agitateur est en mouvement.
- Ne pas installer ou remiser cette laveuse à un endroit où elle serait exposée aux intempéries.
- Ne pas modifier les organes de commande.
- Ne pas réparer ou remplacer un composant quelconque de la laveuse, ni entreprendre une opération de service, si ce n'est spécifiquement recommandé dans ce manuel ou dans un manuel d'instructions de réparations destiné à l'utilisateur; il est alors essentiel que la personne concernée comprenne ces instructions et soit compétente pour les exécuter.
- Pour les instructions de liaison à la terre, voir "Spécifications électriques" dans les instructions d'installation.

**CONSERVEZ CES INSTRUCTIONS**



# ACCESSOIRES

## ACCESSOIRES D'INSTALLATION ET D'ENTRETIEN

**PIÈCES AGRÉÉES PAR LE FABRICANT** – Ces mots désignent des pièces de qualité et des accessoires conçus spécialement pour votre appareil. Une ingénierie qui a fait ses preuves, pour répondre à nos normes de qualité les plus strictes.

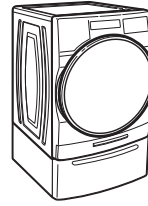
---

## PIÈCES AGRÉÉES PAR LE FABRICANT

---

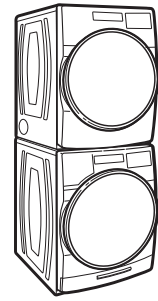
Accessoires conçus pour votre appareil :

Personnalisez votre nouvelle laveuse et sècheuse grâce aux authentiques accessoires Whirlpool suivants. Pour plus d'informations sur les options et sur les possibilités de commande, appelez le **1-866-698-2538**, ou consultez [www.whirlpoolparts.com](http://www.whirlpoolparts.com). Au Canada, composez le **1-800-688-2002** ou consultez [www.whirlpool.ca](http://www.whirlpool.ca).



### Piédestal de 15"

Les piédestaux aux coloris assortis surélèvent la laveuse et la sècheuse pour les amener à une hauteur d'utilisation plus confortable. Le grand tiroir offre une capacité de rangement pratique.



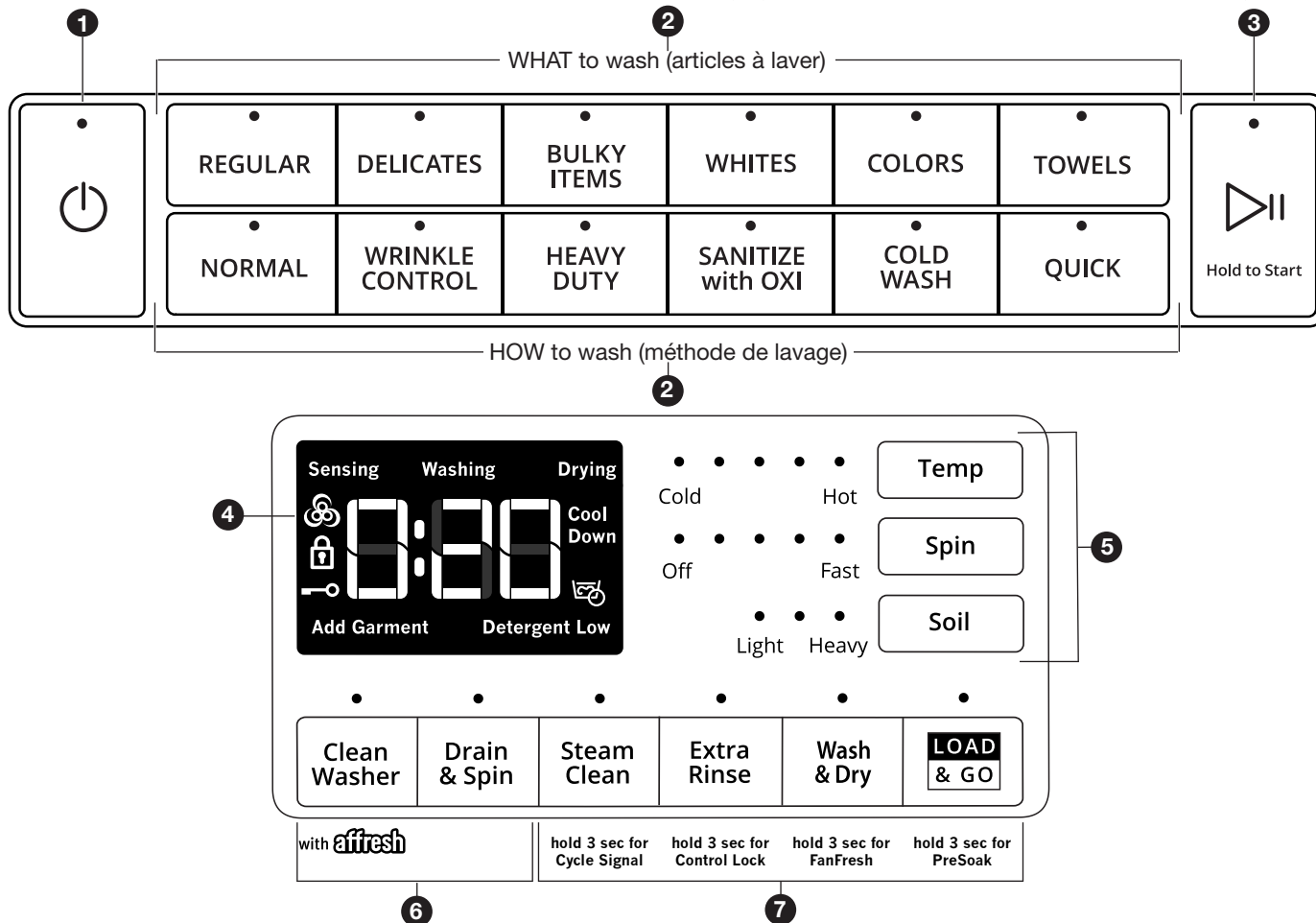
### Ensemble de superposition

Si l'espace disponible est restreint, l'ensemble de superposition permet à la sècheuse d'être installée par-dessus la laveuse.

# TABLEAU DE COMMANDE ET CARACTÉRISTIQUES

## REMARQUES :

- Certains programmes et caractéristiques ne sont pas disponibles sur certains modèles.
- Si le modèle comporte une interface tactile, la surface du tableau de commande est très sensible et il suffit d'un léger toucher pour l'activer. Pour s'assurer que les sélections ont été sauvegardées, toucher le tableau de commande du bout du doigt et non avec l'ongle. Pour sélectionner un réglage ou une option, il suffit de toucher le nom qui lui correspond.
- Si le modèle comporte des boutons physiques, s'assurer d'appuyer fermement sur le bouton.
- À la fin du programme, la laveuse garde en mémoire les choix de réglages et d'options pour une utilisation ultérieure de ce programme. Cependant, si la laveuse est affectée par une coupure de courant, les réglages et les options seront restaurés au paramétrage usine.



Les programmes et réglages peuvent varier selon le modèle.

### 1 INTERRUPTEUR

Sélectionner ce bouton pour mettre la laveuse en marche et pour l'éteindre. Sélectionner ce bouton pour arrêter/annuler un programme à tout moment.

### 2 ARTICLES À LAVER/MÉTHODE DE LAVAGE

Déterminer d'abord les articles dans la charge qui doit être lavée. Sélectionner ainsi les articles adéquats dans la partie "What to Wash" (articles à laver). Ensuite, déterminer la manière dont on souhaite nettoyer ces articles et sélectionner la méthode appropriée dans la partie "How to Wash" (méthode de lavage). Voir le "Guide des programmes" pour plus de détails. Si aucune sélection dans la partie "How to Wash" (méthode de lavage) n'est effectuée, la laveuse sélectionne automatiquement le programme recommandé ou utilisé récemment dans la partie "How to Wash".

### 3 MISE EN MARCHÉ/PAUSE

Toucher le bouton de mise en marche/pause pendant 3 secondes jusqu'à ce que la DEL au-dessus du bouton s'allume afin de mettre en marche un programme ou toucher une fois le bouton pendant qu'un programme est en cours pour le mettre en pause.

### 4 AFFICHAGE DE L'ÉTAT DU PROGRAMME

L'affichage de l'état du programme indique la progression d'un programme. À chaque étape du processus, il est possible que

l'on remarque des pauses ou des sons différents de ceux que l'on remarque avec des laveuses ordinaires.

### Durée résiduelle estimée

La durée résiduelle estimée indique le temps nécessaire à l'achèvement du programme. Des facteurs comme la taille de la charge, les modificateurs, les options sélectionnées et la pression de l'eau peuvent affecter la durée indiquée sur l'afficheur. La laveuse peut également augmenter la durée du programme si le linge est tassé dans la charge, la charge est déséquilibrée ou si la mousse produite est excessive.

### Détection

Lorsque le bouton de mise en marche/pause est appuyé, la laveuse émet une sonnerie indiquant la mise en marche. Le tambour fait un tour partiel. La porte émet un déclic une fois qu'elle se verrouille.

Une fois que la porte s'est verrouillée, la laveuse commence à faire tourner le tambour afin de détecter la taille de la charge. Ce processus de détection se poursuit tout au long du programme. Une fois la charge de linge détectée par la machine, la durée de lavage estimée en fonction de la taille de la charge s'affiche et l'eau est ajoutée. Il est possible que l'on entende de l'eau couler dans le distributeur, ajoutant le détergent à la charge. Il est possible que la durée réelle du programme soit prolongée, mais l'affichage continue d'afficher la durée estimée.

### Washing (lavage)

Au cours du programme de lavage, le mot Washing s'affiche pour indiquer que le programme de lavage est en cours.

### Drying (séchage) (sur certains modèles)

Au cours du programme de séchage, le mot Drying s'affiche pour indiquer que le programme de séchage est en cours.

### Cool Down (refroidissement) (sur certains modèles)

À la fin d'un programme de séchage, la sècheuse débute une période de refroidissement pour refroidir la charge.

### Presoak (prétrempage)

Ce symbole s'affiche pour informer l'utilisateur qu'un prétrempage est en cours.



### Detergent Low (bas niveau de détergent) (sur certains modèles)

Lorsque le niveau de détergent dans le distributeur est bas, l'affichage indique le niveau de détergent (Low).

### Add Garment (ajouter vêtement)

Lorsque "Add Garment" est affiché, on peut suspendre le programme de la laveuse, ouvrir la porte et ajouter des articles. Toucher et maintenir enfoncé le bouton de MISE EN MARCHÉ/PAUSE pour remettre la laveuse en marche.

### Porte verrouillée

Le symbole pour porte verrouillée s'affiche pour indiquer que la porte est verrouillée et ne peut être ouverte sans suspendre ou annuler d'abord le programme.



### Verrouillage des commandes

Lorsque le symbole de verrouillage des commandes est affiché, tous les boutons sont désactivés. Appuyer sur le bouton EXTRA RINSE (rinçage supplémentaire) pendant 3 secondes pour activer les boutons.



### FanFresh® (sur certains modèles)

Ce symbole s'affiche lorsque l'option FanFresh® est activée. Le ventilateur se met en marche et la charge culbute périodiquement pendant une durée maximale de 12 heures.



### Fin

Une fois le programme terminé, "End" s'affiche. Retirer la charge immédiatement pour un résultat optimal.

## 5 MODIFICATEURS DE PROGRAMME

Lorsqu'on sélectionne un programme, ses réglages par défaut s'allument. Toucher pour régler les modificateurs de programme sur la laveuse avant de toucher le bouton de MISE EN MARCHÉ/PAUSE. Les modificateurs ou options de lavage supplémentaires sélectionnés après avoir appuyé sur le bouton de mise en marche/pause pourraient ne pas être activés.

Dès qu'un réglage de lavage est sélectionné, il est enregistré dans le programme sélectionné. Pour revenir aux réglages de programme pré-réglé à l'usine, débrancher la laveuse pendant 30 secondes, puis la rebrancher. Voir "Guide des programmes" pour les réglages de programme par défaut.

**REMARQUE :** Certains modificateurs peuvent augmenter ou diminuer la durée résiduelle estimée.

### Temp.

La température de lavage recommandée est pré-réglée pour chaque programme. Certaines températures pré-réglées peuvent être modifiées. Il est possible de sélectionner une température de lavage différente en fonction du type de tissu et de saleté à laver. Pour des résultats optimaux, suivre les instructions sur l'étiquette du vêtement et utiliser la température d'eau de lavage la plus chaude possible qui reste sans danger pour le tissu. Toutes les fonctions de température de lavage sont accompagnées d'un rinçage à l'eau froide.

### Spin (essorage)

La vitesse d'essorage recommandée est pré-réglée pour chaque programme. Certaines vitesses pré-réglées peuvent être modifiées.

- Des vitesses d'essorage plus élevées signifient des durées de séchage plus courtes, mais elles peuvent augmenter le froissement de la charge.
- Des vitesses d'essorage moins élevées signifient moins de froissement, mais laissent la charge plus humide.

### Soil (saleté)

Le niveau de saleté recommandé est pré-réglé pour chaque programme. Certains niveaux de saleté pré-réglés peuvent être modifiés. Pour la saleté intense et les tissus robustes, sélectionner le réglage Heavy Soil (saletés abondantes). Pour la saleté légère et les tissus délicats, sélectionner le réglage Light Soil (saletés légères). Des réglages de niveau de saleté inférieurs aideront à réduire l'emmêlement et le froissement.

## 6 PROGRAMMES DE SERVICE

### Clean Washer (nettoyage de la laveuse)

Utiliser cette option à l'issue de chaque série de 30 lavages pour que l'intérieur de la laveuse reste frais et propre. Ce programme utilise un niveau d'eau plus élevé. Utiliser des pastilles de nettoyant pour laveuse affresh® ou de l'eau de Javel pour nettoyer soigneusement l'intérieur de la laveuse. Le tambour doit être vide lors de l'utilisation de ce programme. Ce programme ne doit pas être interrompu. Voir la section "Entretien de laveuse".

### Drain & Spin (vidange et essorage)

Ce programme enlève l'excès d'eau de la charge ou les articles nécessitant un soin particulier lavés à la main. Utiliser ce programme après une panne de courant. Pour certains tissus, on peut choisir de régler une vitesse d'essorage plus lente. **Sur certains modèles :** Toucher le bouton DRAIN & SPIN (vidange et essorage) pendant 3 secondes pour régler le programme de séchage seulement.

## 7 OPTIONS DE PROGRAMMES

On peut aussi ajouter ou supprimer des options pour chaque programme. Certaines options ne peuvent pas être utilisées avec certains programmes, et certaines d'entre elles sont pré-réglées pour ne fonctionner qu'avec certains programmes. Les options varient selon le modèle.

### Steam Clean (nettoyage à la vapeur) (sur certains modèles)

L'option Steam Clean (nettoyage à la vapeur) ajoute un trempage supplémentaire et prolonge le nettoyage sur de nombreux programmes pour aider à éliminer les taches. Il ajoute également un jet de vapeur pour un nettoyage encore plus efficace. Un dispositif de chauffage intégré aide à maintenir des températures de lavages idéales. Voir le "Guide de programmes" pour découvrir les programmes qui permettent l'utilisation de l'option Steam Clean (nettoyage à la vapeur).

On peut également toucher STEAM CLEAN (nettoyage à la vapeur) pendant 3 secondes pour allumer ou éteindre les signaux de programme.

### Extra Rinse (rinçage supplémentaire)

Activer cette option pour ajouter un rinçage supplémentaire à la plupart des programmes.

On peut également toucher EXTRA RINSE (rinçage supplémentaire) pendant 3 secondes pour activer/désactiver le verrouillage des commandes.

**Wash & Dry (lavage et séchage) (sur certains modèles)**

Toucher cette option pour ajouter un programme de séchage à la charge une fois le programme de lavage terminé. L'option Wash & Dry est conçue pour laver et sécher les petites charges pendant la nuit. La durée du programme varie en fonction de la composition de la charge. Pour obtenir une performance de séchage et une durée du programme optimales, ne pas charger plus qu'un quart du tambour. Le programme se terminera automatiquement après une durée de programme de 12 heures maximum.

On peut également toucher WASH & DRY (lavage et séchage) pendant 3 secondes pour activer/désactiver l'option FanFresh®. Utiliser l'option FanFresh® si l'on ne parvient pas à retirer la charge immédiatement. La laveuse active automatiquement le ventilateur après la fin du programme et fait culbuter la charge périodiquement pendant 12 heures maximum.

**IMPORTANT :**

- Ne pas utiliser d'assouplissant en feuilles dans la sècheuse.
- Ne pas faire sécher de couettes ou de grands draps.

**Load & Go™ (sur certains modèles)**

Toucher cette option pour la sélectionner si on souhaite d'ajouter automatiquement du détergent HE à la charge de lavage au moment approprié.

**IMPORTANT :** Lorsque l'on utilise la cartouche du distributeur avec un détergent liquide concentré, veiller à modifier les réglages de la concentration de détergent si le détergent utilisé diffère du détergent pré-réglé à l'usine de concentration 2x. Modifier le réglage de la concentration de détergent en touchant le bouton TEMP et SOIL (saleté) pendant 3 secondes.

On peut également toucher LOAD & GO™ pendant 3 secondes pour régler le prétrempage.

**PreSoak (prétrempage) (sur certains modèles)**

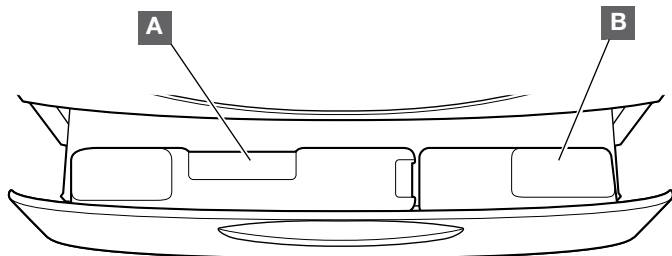
Toucher cette option pour ajouter une durée de prétrempage de son choix au programme de lavage.



## 8 DISTRIBUTEURS

### Distributeur Load & Go™ (seulement sur certains modèles – varies selon le modèle)

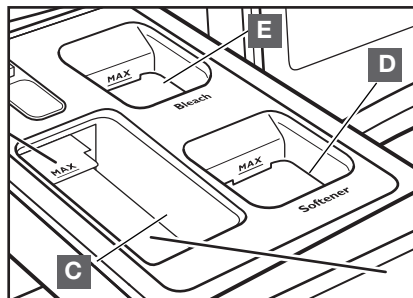
Le distributeur Load & Go™ offre la possibilité de ne pas ajouter de détergent HE à la charge de lavage à chaque fois. Il détermine également la meilleure quantité de détergent et le meilleur moment pour l'ajouter à la charge. Voir "Utilisation des distributeurs" pour plus d'informations sur l'utilisation du tiroir distributeur.



La laveuse est livrée avec un distributeur de détergent liquide de 1 ou 2 litres.

### Tiroir distributeur pour charge unique

Le tiroir distributeur pour charge unique offre la possibilité d'ajouter du détergent HE, de l'eau de Javel et de l'assouplissant de tissu à la charge de lavage, au moment approprié. Voir "Utilisation des distributeurs" pour plus d'informations sur l'utilisation du tiroir distributeur.



#### **A** Distributeur de détergent haute efficacité (HE) liquide de 2 litres

Ce distributeur peut contenir jusqu'à 67,6 oz (2 L) de détergent HE liquide.

#### **B** Distributeur de détergent haute efficacité "HE" liquide de 1 litre

Ce distributeur peut contenir jusqu'à 33,8 oz (1 L) de détergent HE liquide.

Chaque distributeur contient suffisamment de détergent pour de nombreuses charges de linge. Chaque distributeur ajoute la bonne quantité de détergent HE au bon moment pendant le programme de lavage. Voir "Utilisation des distributeurs" pour plus d'informations sur l'utilisation du distributeur.

**IMPORTANT :** Ne pas utiliser de l'eau de Javel ou de détergent en poudre dans le distributeur. Du détergent en poudre doit être ajouté au distributeur pour charge unique. Voir la section "Utilisation de la laveuse".

#### **C** Compartiment de détergent Haute efficacité (HE)

Ce compartiment contient le détergent HE liquide ou en poudre qui seront utilisés lors du programme de lavage principal et distribue automatiquement le détergent pendant le programme en cours.

#### **D** Compartiment pour assouplissant de tissu liquide

Ce compartiment contient l'assouplissant de tissu liquide. Il distribue automatiquement l'assouplissant liquide au bon moment pendant le programme.

#### **E** Compartiment pour eau de Javel

Ce compartiment dilue et distribue automatiquement l'eau de Javel au moment opportun lors du premier rinçage qui suit le programme de lavage. Il ne peut pas diluer de poudre à blanchir.

## GUIDE DES PROGRAMMES

Il est possible d'utiliser cette laveuse pour effectuer uniquement des lavages ou pour effectuer des lavages et séchages. Cette laveuse possède une interface utilisateur unique pour aider l'utilisateur à sélectionner le programme le mieux adapté à la charge. Les configurations "What to Wash" (articles à laver) et "How to Wash" (méthode de lavage) indiquent le programme idéal en deux étapes faciles :

Déterminer d'abord les articles dans la charge qui doit être lavée. Sélectionner ainsi les articles adéquats dans la partie "What to Wash" (articles à laver). Ensuite, déterminer la manière dont on souhaite nettoyer ces articles et sélectionner la méthode appropriée dans la partie "How to Wash" (méthode de lavage). Choisir "What to Wash" (articles à laver) sélectionnera automatiquement une méthode de lavage par défaut. Choisir "How to Wash" (méthode de lavage) est donc optionnel. Voir le tableau ci-dessous pour plus de détails.

Quels articles souhaite-t-on laver?	Sélection du programme "What to Wash" (articles à laver) :
Charges de vêtements en coton, lin et charges mixtes	Regular (ordinaire)
Articles qui ne se repassent pas, chemises/pantalons habillés, synthétiques, vêtements en dentelle/minces	Delicates (articles délicats)
Articles de grande taille tels que les petites couettes, les sacs de couchage, les manteaux et les tapis lavables	Bulky Items (articles volumineux)
Vêtements/tissus blancs	Whites (blancs)
Vêtements en coton de couleurs vives ou foncées, lin et charges mixtes	Colors (couleurs)
Serviettes et débarbouillettes résistantes	Towels (serviettes)

Quels articles souhaite-t-on laver?	Sélection du programme "How to Wash" (méthode de lavage) :
Ordinaire/normal	Normal
Moins de froissement	Wrinkle Control (commande antifroissement)
Nettoyage intense	Heavy Duty (service intense)
Éliminer 99,9 % des trois bactéries domestiques courantes	Sanitize* (assainissement) (avec Oxi – sur certains modèles)
Lavage délicat à l'eau froide	Lavage à l'eau froide
Rapide	Quick (rapide)

Les réglages et options indiqués en **gras** sont les réglages par défaut pour ce programme de lavage. Pour un meilleur soin des tissus, choisir le programme, les options et les réglages qui conviennent le mieux à la charge à laver. Toujours lire et suivre les instructions figurant sur les étiquettes de soin des tissus et sur les produits de lessive. Éviter de tasser le linge dans la laveuse. La laveuse ne rince ou n'essore pas bien si les vêtements sont tassés. Si l'on utilise le programme Wash & Dry, remplir le tambour 1/4 ou moins améliorera le rendement de séchage et réduira la durée du programme. Pas tous les réglages ne sont disponibles sur tous les programmes et certaines options ne peuvent pas être combinées. Certaines options ne sont pas disponibles sur certains modèles.

Type	Méthode	Réglages de base			Options supplémentaires				
		Temp	Spin (essorage)	Soil (saleté)	Steam Clean (nettoyage à la vapeur)	Extra Rinse (rinçage supplémentaire)	Presoak (prétrempage)	Wash & Dry (lavage et séchage)	Load & Go™
Regular (ordinaire)	<b>Normal</b>	Hot (très chaude) Very Warm (chaude) <b>Warm (tiède)</b> Cool (froide) Cold (très froide)	<b>Fast (rapide)</b> Medium Fast (moyennement rapide) Medium (moyenne) Off (désactivée)	Light (légère) <b>Normal (normale)</b> Heavy (importante)	X	X	X	X	X
	Wrinkle Control (commande antifroissement)	Hot (très chaude) Very Warm (chaude) Warm (tiède) Cool (froide) <b>Cold (très froide)</b>	Fast (rapide) Medium Fast (moyennement rapide) Medium (moyenne) <b>Slow (lente)</b> Off (désactivée)	<b>Light (légère)</b> Normal (normale) Heavy (importante)	X	X	X	X	X
	Heavy Duty (service intense)	Hot (très chaude) <b>Very Warm (chaude)</b> Warm (tiède) Cool (froide) Cold (très froide)	<b>Fast (rapide)</b> Medium Fast (moyennement rapide) Medium (moyenne) Off (désactivée)	Light (légère) <b>Normal (normale)</b> Heavy (importante)	X	X	X	X	X
	Sanitize* (assainissement) (avec Oxi – sur certains modèles)	<b>Hot (très chaude)</b>	<b>Fast (rapide)</b> Medium Fast (moyennement rapide) Medium (moyenne)	<b>Light (légère)</b> Normal (normale) Heavy (importante)	X	X		X	X
	Lavage à l'eau froide	Hot (très chaude) Very Warm (chaude) Warm (tiède) Cool (froide) <b>Cold (très froide)</b>	<b>Fast (rapide)</b> Medium Fast (moyennement rapide) Medium (moyenne) Off (désactivée)	Light (légère) Normal (normale) <b>Heavy (importante)</b>		X	X	X	X
	Quick (rapide)	Hot (très chaude) Very Warm (chaude) <b>Warm (tiède)</b> Cool (froide) Cold (très froide)	<b>Fast (rapide)</b> Medium Fast (moyennement rapide) Medium (moyenne) Off (désactivée)	<b>Light (légère)</b> Normal (normale) Heavy (importante)	X	X	X	X	X

\*Ce programme élimine 99,9 % des bactéries que l'on trouve généralement sur les vêtements, articles de literie et serviettes. Utiliser la température d'eau de lavage la plus élevée possible et ajouter un produit Oxi en poudre dans le tambour (sur certains modèles) pour assurer l'assainissement. Vérifier les recommandations de température d'eau de lavage de vos articles et utiliser la quantité d'Oxi recommandé par le fabricant (sur certains modèles). Les tests portaient sur les bactéries K. pneumoniae, P. aeruginosa et S. aureus.

Type	Méthode	Réglages de base			Options supplémentaires				
		Temp	Spin (essorage)	Soil (saleté)	Steam Clean (nettoyage à la vapeur)	Extra Rinse (rinçage supplémentaire)	Presoak (prétrempage)	Wash & Dry (lavage et séchage)	Load & Go™
Delicates (articles délicats)	Normal	Hot (très chaude) Very Warm (chaude) <b>Warm (tiède)</b> Cool (froide) Cold (très froide)	Fast (rapide) Medium Fast (moyennement rapide) Medium (moyenne) <b>Slow (lente)</b> Off (désactivée)	Light (légère) <b>Normal (normale)</b> Heavy (importante)	X	X	X	X	X
	Quick (rapide)	Hot (très chaude) Very Warm (chaude) <b>Warm (tiède)</b> Cool (froide) Cold (très froide)	Fast (rapide) Medium Fast (moyennement rapide) Medium (moyenne) <b>Slow (lente)</b> Off (désactivée)	<b>Light (légère)</b> Normal (normale) Heavy (importante)	X	X	X	X	X
	<b>Wrinkle Control (commande antifroissement)</b>	Hot (très chaude) Very Warm (chaude) Warm (tiède) Cool (froide) <b>Cold (très froide)</b>	Fast (rapide) Medium Fast (moyennement rapide) Medium (moyenne) <b>Slow (lente)</b> Off (désactivée)	<b>Light (légère)</b> Normal (normale) Heavy (importante)	X	X	X	X	X
	Heavy Duty (service intense)	Hot (très chaude) <b>Very Warm (chaude)</b> Warm (tiède) Cool (froide) Cold (très froide)	Fast (rapide) Medium Fast (moyennement rapide) Medium (moyenne) <b>Slow (lente)</b> Off (désactivée)	Light (légère) <b>Normal (normale)</b> Heavy (importante)	X	X	X	X	X
	Lavage à l'eau froide	Hot (très chaude) Very Warm (chaude) Warm (tiède) Cool (froide) <b>Cold (très froide)</b>	Fast (rapide) Medium Fast (moyennement rapide) Medium (moyenne) <b>Slow (lente)</b> Off (désactivée)	Light (légère) <b>Normal (normale)</b> Heavy (importante)		X	X	X	X
	Sanitize* (assainissement) (avec Oxi – sur certains modèles)	<b>Hot (très chaude)</b>	<b>Fast (rapide)</b> Medium Fast (moyennement rapide) Medium (moyenne) Slow (lente) Off (désactivée)	<b>Light (légère)</b> Normal (normale) Heavy (importante)	X	X		X	X

\*Ce programme élimine 99,9 % des bactéries que l'on trouve généralement sur les vêtements, articles de literie et serviettes. Utiliser la température d'eau de lavage la plus élevée possible et ajouter un produit Oxi en poudre dans le tambour (sur certains modèles) pour assurer l'assainissement. Vérifier les recommandations de température d'eau de lavage de vos articles et utiliser la quantité d'Oxi recommandé par le fabricant (sur certains modèles). Les tests portaient sur les bactéries K. pneumoniae, P. aeruginosa et S. aureus.



Type	Méthode	Réglages de base			Options supplémentaires				
		Temp	Spin (essorage)	Soil (saleté)	Steam Clean (nettoyage à la vapeur)	Extra Rinse (rinçage supplé- mentaire)	Presoak (prétremp- page)	Wash & Dry (lavage et séchage)	Load & Go™
Bulky Items (articles volumi- neux)	Normal	Hot (très chaude) Very Warm (chaude) <b>Warm (tiède)</b> Cool (froide) Cold (très froide)	Fast (rapide) <b>Medium Fast (moyennement rapide)</b> Medium (moyenne) Slow (lente) Off (désactivée)	Light (légère) <b>Normal (normale)</b> Heavy (importante)	X	X	X	X	X
	Quick (rapide)	Hot (très chaude) Very Warm (chaude) <b>Warm (tiède)</b> Cool (froide) Cold (très froide)	Fast (rapide) <b>Medium Fast (moyennement rapide)</b> Medium (moyenne) Slow (lente) Off (désactivée)	<b>Light (légère)</b> Normal (normale) Heavy (importante)	X	X	X	X	X
	Wrinkle Control (commande antifroisse- ment)	Hot (très chaude) Very Warm (chaude) Warm (tiède) Cool (froide) <b>Cold (très froide)</b>	Fast (rapide) Medium Fast (moyennement rapide) Medium (moyenne) <b>Slow (lente)</b> Off (désactivée)	<b>Light (légère)</b> Normal (normale) Heavy (importante)	X	X	X	X	X
	<b>Heavy Duty (service intense)</b>	Hot (très chaude) <b>Very Warm (chaude)</b> Warm (tiède) Cool (froide) Cold (très froide)	Fast (rapide) <b>Medium Fast (moyennement rapide)</b> Medium (moyenne) Slow (lente) Off (désactivée)	Light (légère) <b>Normal (normale)</b> Heavy (importante)	X	X	X	X	X
	Lavage à l'eau froide	Hot (très chaude) Very Warm (chaude) Warm (tiède) Cool (froide) <b>Cold (très froide)</b>	Fast (rapide) <b>Medium Fast (moyennement rapide)</b> Medium (moyenne) Slow (lente) Off (désactivée)	Light (légère) <b>Normal (normale)</b> Heavy (importante)		X	X	X	X

Type	Méthode	Réglages de base			Options supplémentaires				
		Temp	Spin (essorage)	Soil (saleté)	Steam Clean (nettoyage à la vapeur)	Extra Rinse (rinçage supplémentaire)	Presoak (prétrempage)	Wash & Dry (lavage et séchage)	Load & Go™
Whites (blancs)	<b>Normal</b>	Hot (très chaude) Very Warm (chaude) <b>Warm (tiède)</b> Cool (froide) Cold (très froide)	Fast (rapide) <b>Medium Fast (moyennement rapide)</b> Medium (moyenne) Slow (lente) Off (désactivée)	Light (légère) Normal (normale) <b>Heavy (importante)</b>	X	X	X	X	X
	<b>Quick (rapide)</b>	Hot (très chaude) Very Warm (chaude) <b>Warm (tiède)</b> Cool (froide) Cold (très froide)	Fast (rapide) <b>Medium Fast (moyennement rapide)</b> Medium (moyenne) Slow (lente) Off (désactivée)	<b>Light (légère)</b> Normal (normale) Heavy (importante)	X	X	X	X	X
	<b>Wrinkle Control (commande antifroissement)</b>	Hot (très chaude) Very Warm (chaude) Warm (tiède) Cool (froide) <b>Cold (très froide)</b>	Fast (rapide) Medium Fast (moyennement rapide) Medium (moyenne) <b>Slow (lente)</b> Off (désactivée)	<b>Light (légère)</b> Normal (normale) Heavy (importante)	X	X	X	X	X
	<b>Heavy Duty (service intense)</b>	Hot (très chaude) <b>Very Warm (chaude)</b> Warm (tiède) Cool (froide) Cold (très froide)	Fast (rapide) <b>Medium Fast (moyennement rapide)</b> Medium (moyenne) Slow (lente) Off (désactivée)	Light (légère) Normal (normale) <b>Heavy (importante)</b>	X	X	X	X	X
	<b>Lavage à l'eau froide</b>	Hot (très chaude) Very Warm (chaude) Warm (tiède) Cool (froide) <b>Cold (très froide)</b>	Fast (rapide) <b>Medium Fast (moyennement rapide)</b> Medium (moyenne) Slow (lente) Off (désactivée)	Light (légère) Normal (normale) <b>Heavy (importante)</b>		X	X	X	X
	<b>Sanitize* (assainissement) (avec Oxi – sur certains modèles)</b>	<b>Hot (très chaude)</b>	<b>Fast (rapide)</b> Medium Fast (moyennement rapide) Medium (moyenne) Slow (lente) Off (désactivée)	<b>Light (légère)</b> Normal (normale) Heavy (importante)	X	X		X	X

\*Ce programme élimine 99,9 % des bactéries que l'on trouve généralement sur les vêtements, articles de literie et serviettes. Utiliser la température d'eau de lavage la plus élevée possible et ajouter un produit Oxi en poudre dans le tambour (sur certains modèles) pour assurer l'assainissement. Vérifier les recommandations de température d'eau de lavage de vos articles et utiliser la quantité d'Oxi recommandé par le fabricant (sur certains modèles). Les tests portaient sur les bactéries K. pneumoniae, P. aeruginosa et S. aureus.

Type	Méthode	Réglages de base			Options supplémentaires				
		Temp	Spin (essorage)	Soil (saleté)	Steam Clean (nettoyage à la vapeur)	Extra Rinse (rinçage supplémentaire)	Presoak (prétrempage)	Wash & Dry (lavage et séchage)	Load & Go™
Colors (Couleurs)	Normal	Hot (très chaude) Very Warm (chaude) <b>Warm (tiède)</b> Cool (froide) Cold (très froide)	Fast (rapide) <b>Medium Fast (moyennement rapide)</b> Medium (moyenne) Slow (lente) Off (désactivée)	<b>Light (légère)</b> Normal (normale) Heavy (importante)	X	X	X	X	X
	Quick (rapide)	Hot (très chaude) Very Warm (chaude) <b>Warm (tiède)</b> Cool (froide) Cold (très froide)	Fast (rapide) <b>Medium Fast (moyennement rapide)</b> Medium (moyenne) Slow (lente) Off (désactivée)	<b>Light (légère)</b> Normal (normale) Heavy (importante)	X	X	X	X	X
	Wrinkle Control (commande antifroissement)	Hot (très chaude) Very Warm (chaude) Warm (tiède) Cool (froide) <b>Cold (très froide)</b>	Fast (rapide) Medium Fast (moyennement rapide) Medium (moyenne) <b>Slow (lente)</b> Off (désactivée)	<b>Light (légère)</b> Normal (normale) Heavy (importante)	X	X	X	X	X
	Heavy Duty (service intense)	Hot (très chaude) <b>Very Warm (chaude)</b> Warm (tiède) Cool (froide) Cold (très froide)	Fast (rapide) <b>Medium Fast (moyennement rapide)</b> Medium (moyenne) Slow (lente) Off (désactivée)	<b>Light (légère)</b> Normal (normale) Heavy (importante)	X	X	X	X	X
	<b>Lavage à l'eau froide</b>	Hot (très chaude) Very Warm (chaude) Warm (tiède) Cool (froide) <b>Cold (très froide)</b>	Fast (rapide) <b>Medium Fast (moyennement rapide)</b> Medium (moyenne) Slow (lente) Off (désactivée)	<b>Light (légère)</b> Normal (normale) Heavy (importante)		X	X	X	X
	Sanitize* (assainissement) (avec Oxi – sur certains modèles)	<b>Hot (très chaude)</b>	<b>Fast (rapide)</b> Medium Fast (moyennement rapide) Medium (moyenne) Slow (lente) Off (désactivée)	<b>Light (légère)</b> Normal (normale) Heavy (importante)	X	X		X	X

\*Ce programme élimine 99,9 % des bactéries que l'on trouve généralement sur les vêtements, articles de literie et serviettes. Utiliser la température d'eau de lavage la plus élevée possible et ajouter un produit Oxi en poudre dans le tambour (sur certains modèles) pour assurer l'assainissement. Vérifier les recommandations de température d'eau de lavage de vos articles et utiliser la quantité d'Oxi recommandé par le fabricant (sur certains modèles). Les tests portaient sur les bactéries K. pneumoniae, P. aeruginosa et S. aureus.

Type	Méthode	Réglages de base			Options supplémentaires				
		Temp	Spin (essorage)	Soil (saleté)	Steam Clean (nettoyage à la vapeur)	Extra Rinse (rinçage supplémentaire)	Presoak (prétrempage)	Wash & Dry (lavage et séchage)	Load & Go™
Towels (serviettes)	Normal	Hot (très chaude) Very Warm (chaude) <b>Warm (tiède)</b> Cool (froide) Cold (très froide)	<b>Fast (rapide)</b> Medium Fast (moyennement rapide) Medium (moyenne) Slow (lente) Off (désactivée)	Light (légère) Normal (normale) <b>Heavy (importante)</b>	X	X	X	X	X
	Quick (rapide)	Hot (très chaude) Very Warm (chaude) <b>Warm (tiède)</b> Cool (froide) Cold (très froide)	<b>Fast (rapide)</b> Medium Fast (moyennement rapide) Medium (moyenne) Slow (lente) Off (désactivée)	<b>Light (légère)</b> Normal (normale) Heavy (importante)	X	X	X	X	X
	Wrinkle Control (commande antifroissement)	Hot (très chaude) Very Warm (chaude) Warm (tiède) Cool (froide) <b>Cold (très froide)</b>	Fast (rapide) Medium Fast (moyennement rapide) Medium (moyenne) <b>Slow (lente)</b> Off (désactivée)	<b>Light (légère)</b> Normal (normale) Heavy (importante)	X	X	X	X	X
	<b>Heavy Duty (service intense)</b>	Hot (très chaude) <b>Very Warm (chaude)</b> Warm (tiède) Cool (froide) Cold (très froide)	<b>Fast (rapide)</b> Medium Fast (moyennement rapide) Medium (moyenne) Slow (lente) Off (désactivée)	Light (légère) Normal (normale) <b>Heavy (importante)</b>	X	X	X	X	X
	Lavage à l'eau froide	Hot (très chaude) Very Warm (chaude) Warm (tiède) Cool (froide) <b>Cold (très froide)</b>	<b>Fast (rapide)</b> Medium Fast (moyennement rapide) Medium (moyenne) Slow (lente) Off (désactivée)	Light (légère) Normal (normale) <b>Heavy (importante)</b>		X	X	X	X
	Sanitize* (assainissement) (avec Oxi – sur certains modèles)	<b>Hot (très chaude)</b>	<b>Fast (rapide)</b> Medium Fast (moyennement rapide) Medium (moyenne) Slow (lente) Off (désactivée)	<b>Light (légère)</b> Normal (normale) Heavy (importante)	X	X		X	X

\*Ce programme élimine 99,9 % des bactéries que l'on trouve généralement sur les vêtements, articles de literie et serviettes. Utiliser la température d'eau de lavage la plus élevée possible et ajouter un produit Oxi en poudre dans le tambour (sur certains modèles) pour assurer l'assainissement. Vérifier les recommandations de température d'eau de lavage de vos articles et utiliser la quantité d'Oxi recommandé par le fabricant (sur certains modèles). Les tests portaient sur les bactéries K. pneumoniae, P. aeruginosa et S. aureus.

Les certifications de performance énergétique du gouvernement pour les modèles WFW8620H et WFW862CH sont fondées sur les modes REGULAR (ARTICLES À LAVER), NORMAL (MÉTHODE DE LAVAGE), la VITESSE D'ESSORAGE SÉLECTIONNABLE LA PLUS RAPIDE, TENIR ENFONCÉ LE BOUTON "DRAIN & SPIN" pendant 3 SECONDES POUR ACTIVER LE SÉCHAGE MINUTÉ (4 HEURES – 1 SEULE FOIS), LE RÉGLAGE DE LA TEMPÉRATURE DE SÉCHAGE NON SÉLECTIONNABLE. Les réglages par défaut de REGULAR (ARTICLES À LAVER), NORMAL (MÉTHODE DE LAVAGE), WARM TEMP (température tiède), SPIN SPEED FAST (vitesse d'essorage rapide) n'ont pas été utilisés pour les tests d'énergie.

## CHOIX DU DÉTERGENT APPROPRIÉ

Utiliser uniquement des détergents Haute efficacité. L'emballage portera la mention "HE" ou "High Efficiency" (haute efficacité). Un lavage avec faible consommation d'eau produit un excès de mousse avec un détergent non HE. Il est probable que l'utilisation d'un détergent autre que HE prolonge la durée des programmes et réduise la performance de rinçage. Ceci peut aussi entraîner un mauvais fonctionnement des composants et, avec le temps, une accumulation de moisissure. Les détergents HE devraient produire peu de mousse et se dissoudre rapidement et créer une quantité de mousse idéale pour une performance optimale. Ils devraient retenir les particules de saleté en suspension afin qu'elles ne se déposent pas de nouveau sur les vêtements propres. Les détergents identifiés HE ne sont pas tous identiques et ne produisent pas tous la même quantité de mousse. Par exemple, les détergents HE, naturels, organiques et faits maison peuvent produire une plus grande quantité de mousse. Si l'un de ces produits est utilisé et que le code d'erreur "SUD" s'affiche à l'écran, l'utilisation d'un autre détergent HE est conseillée. Toujours suivre les recommandations du fabricant de détergent pour déterminer la quantité de détergent à utiliser.



Utiliser uniquement un détergent Haute efficacité (HE).

### À propos de la concentration du détergent

Les détergents HE liquides disponibles de nos jours sont concentrés. La plupart des marques de détergents HE concentrés indiquent le niveau de concentration sur le flacon.

Mais si le niveau de concentration n'est pas indiqué sur le flacon, on peut facilement le calculer. Il suffit de diviser la taille de l'emballage en onces liquide par le nombre de charges. Consulter ensuite le tableau ci-dessous pour trouver la concentration.

Si l'on n'obtient pas les résultats de nettoyage désirés, essayer un chiffre de concentration plus bas. En cas de moussage excessif, essayer un chiffre de concentration plus élevé.

Si la concentration de détergent n'est pas 2x, modifier le réglage de la concentration de détergent en touchant le bouton TEMP et SOIL (saleté) pendant 3 secondes.

Concentration	Nombre d'onces ÷ nombre de charges
2X	1,5-2,49 (44,4 mL-73,6 mL)
3X	0,9-1,49 (26,6 mL-44,1 mL)
4X	0,7-0,89 (20,7 mL-26,3 mL)
5X	0,5-0,69 (14,8 mL-20,4 mL)
6X	0,3-0,49 (8,9 mL-14,5 mL)

# UTILISATION DES DISTRIBUTEURS (varie selon le modèle)

1. Pour la distribution automatique, ouvrir le tiroir distributeur à l'aide de la poignée à la base de la laveuse. Pour une seule charge, ouvrir le tiroir distributeur pour charge unique dans le coin supérieur gauche de la laveuse et désactiver l'option Load & Go™.
2. Ajouter les produits de lessive tels que décrits ci-dessous.
3. Fermer lentement le tiroir du distributeur. Vérifier qu'il est complètement fermé.

## REMARQUES :

- Il est possible qu'une petite quantité d'eau provenant du programme de lavage précédent reste dans le distributeur pour charge unique. Ceci est normal.
- Pour l'information sur la concentration du détergent, voir "À propos de la concentration du détergent".
- **Sur certains modèles :** Lorsque le niveau de détergent dans le distributeur est bas, l'affichage indique le niveau de détergent (Low).
- Ajouter une dose unique et des activateurs de type Oxi au tambour avant de charger les articles. Voir la section "Utilisation de la laveuse".

## Ajouter du détergent HE au distributeur

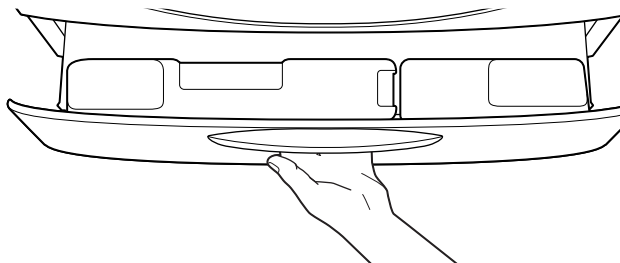
### Distributeur Load & Go™ (sur certains modèles)

Utiliser uniquement un détergent liquide Haute efficacité (HE). Les distributeurs Load & Go™ peuvent contenir jusqu'à 67,6 oz (2 L) ou 33,8 oz (1 L) de détergent HE liquide ou suffisamment pour plusieurs charges de lessive.



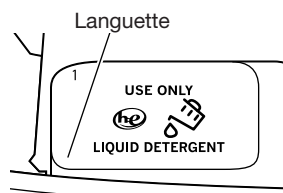
Utiliser uniquement un détergent Haute efficacité (HE).

### Pour remplir le distributeur Load & Go™ :

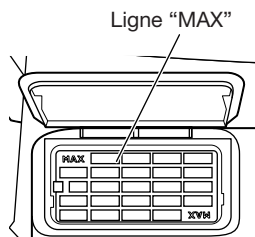


Ouvrir le tiroir distributeur en tirant sur la poignée à la base de la laveuse. Si désiré, le tiroir peut être complètement retiré de la laveuse.

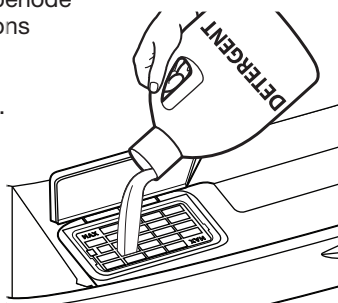
Trouver le distributeur Load & Go™. Tirer doucement sur la languette située sur le couvercle du distributeur pour soulever la porte de remplissage.



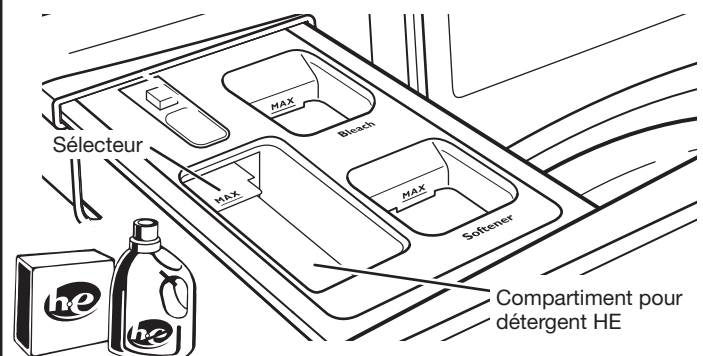
Remplir jusqu'à la ligne "MAX" (voir les illustrations ci-contre) avec du détergent liquide. Fermer la porte de remplissage. Elle s'emboîte. S'assurer que la concentration est correcte (voir la section "Choix du détergent approprié").



On doit rincer le distributeur de détergent si l'on change de détergent ou si l'on n'utilise pas la laveuse pendant une période prolongée. Pour les instructions concernant le nettoyage de la cartouche du distributeur, voir "Entretien de la laveuse".



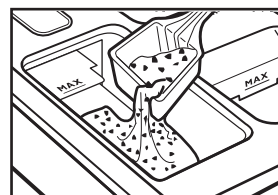
### Ajout de détergent pour une charge unique



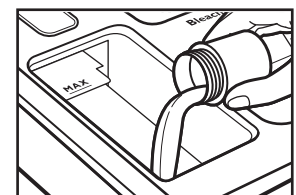
Utiliser uniquement un détergent Haute efficacité (HE).

Verser une mesure de détergent HE dans le compartiment à détergent. Pour du détergent en poudre, soulever le sélecteur vers la position supérieure. Pour le détergent liquide, abaisser le sélecteur jusqu'en position inférieure.

Ne pas faire remplir excessivement le distributeur – le fait d'ajouter trop de détergent peut entraîner sa distribution prématurée dans la laveuse.



**Détergent en poudre :** Soulever le sélecteur en position élevée. Ajouter directement dans le compartiment.



**Détergent liquide :** Appuyer sur le sélecteur pour le placer en position basse. Ajouter directement dans le compartiment.

### IMPORTANT :

- Désactiver l'option Load & Go™ avant de démarrer une seule charge.
- Ne pas ajouter de sachet de lessive à dose unique dans le tiroir distributeur.

# UTILISATION DE LA LAVEUSE

## ⚠ AVERTISSEMENT



### Risque d'incendie

Ne jamais mettre des articles humectés d'essence ou d'autres fluides inflammables dans la laveuse.

Aucune laveuse ne peut complètement enlever l'huile.

Ne pas faire sécher des articles qui ont été salis par tout genre d'huile (y compris les huiles de cuisson).

Le non-respect de ces instructions peut causer un décès, une explosion ou un incendie.

## ⚠ AVERTISSEMENT



### Risque de choc électrique

Brancher sur une prise à 3 alvéoles reliée à la terre.

Ne pas enlever la broche de liaison à la terre.

Ne pas utiliser un adaptateur.

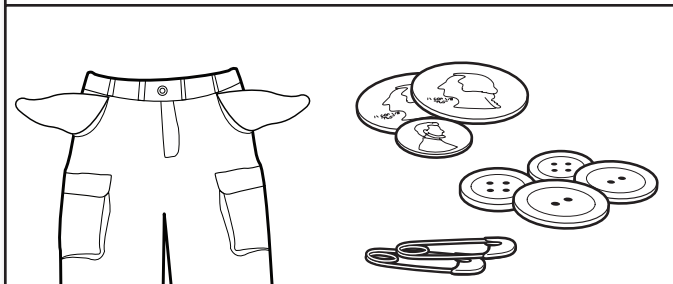
Ne pas utiliser un câble de rallonge.

Le non-respect de ces instructions peut causer un décès, un incendie ou un choc électrique.

### Premier programme de lavage sans vêtements

Avant de laver les vêtements pour la première fois, préparer le distributeur Load & Go™ (sur certains modèles) ou ajouter du détergent au distributeur à dose unique (voir la section "Utilisation des distributeurs"). Choisir le programme Regular (ordinaire) (what to wash [articles à laver]) et le programme Quick (rapide) (how to wash [méthode de lavage]) sans ajouter de vêtements. Utiliser uniquement un détergent HE. Ce programme préalable sert à garantir que l'intérieur est propre.

## 1. Trier et préparer les articles



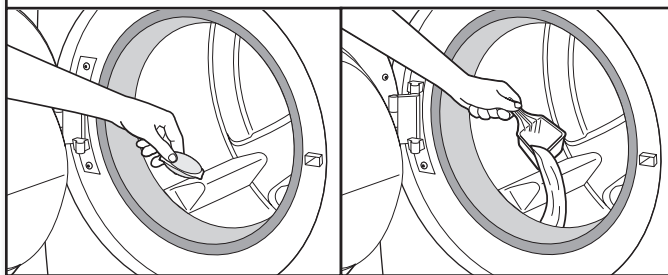
Trier les articles en fonction du programme et de la température d'eau recommandés, ainsi que de la solidité des teintures. Séparer les articles très sales des articles peu sales. Séparer les articles délicats des tissus résistants. Traiter les taches sans délai et contrôler la solidité des teintures pour tester les produits d'élimination de taches sur une couture intérieure.

### IMPORTANT :

- Vider les poches. Les pièces de monnaie, boutons et autres petits objets peuvent obstruer les pompes et nécessiter une intervention de dépannage.
- Fermer les fermetures à glissière, attacher les crochets, cordons et ceintures en tissu, et retirer tout accessoire et ornement non lavables.
- Réparer les déchirures pour éviter que les articles ne s'endommagent encore davantage lors du nettoyage.

- Retourner les tricotés pour éviter le boulochage. Séparer les articles qui retiennent la charpie des articles qui la transmettent. Les articles synthétiques, tricotés et articles en velours retiennent la charpie provenant des serviettes, des tapis et des tissus chenilles.
- Ne pas sécher les vêtements si les taches sont toujours présentes après le lavage, car la chaleur pourrait fixer les taches sur le tissu.
- Toujours lire et suivre les instructions figurant sur les étiquettes de soin des tissus et sur les produits de lessive. Une mauvaise utilisation pourrait endommager les vêtements.

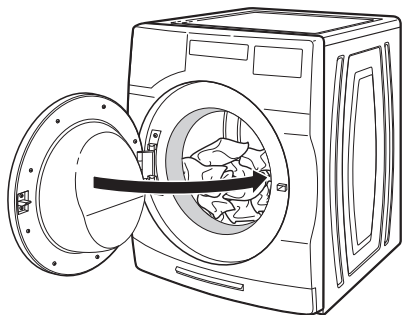
## 2. Ajouter les produits de lessive, si désiré



On peut ajouter des sachets de lessive à dose unique, des activateurs de lessive de type Oxi, de javellisant non décolorant ou des cristaux parfumés dans le tambour avant d'ajouter le linge. Lors de l'utilisation de sachets de lessive à dose unique, s'assurer que le distributeur Load & Go™ est désactivé (sur certains modèles) ou éteint (voir la section "Tableau de commande et caractéristiques").

**REMARQUE :** Toujours suivre les instructions du fabricant.

### 3. Charger les vêtements dans la machine

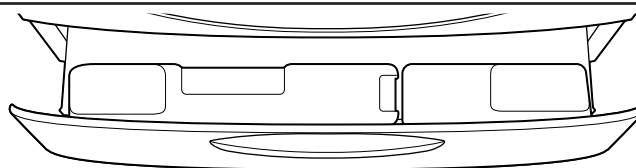


Placer une charge de linge trié dans la laveuse sans les tasser. Les articles doivent pouvoir se déplacer librement pour un nettoyage optimal et pour réduire le froissement et l’emmêlement. Si l’option Wash & Dry (lavage et séchage) est utilisée, ne charger le tambour qu’à moitié ou moins et ne pas interrompre le programme de séchage en ouvrant la porte pour améliorer le rendement de séchage et la durée du programme. Fermer la porte de la laveuse en la poussant fermement jusqu’à ce que le loquet émette un clic.

- Pousser entièrement la charge dans la laveuse. S’assurer qu’aucun article ne se trouve sur le joint en caoutchouc pour éviter de le coincer entre le joint et la porte en verre.
- Mélanger les gros articles avec les petits articles et éviter de laver des articles seuls. Charger la laveuse uniformément.
- Laver les petits articles dans des sacs à linge en filet. Si les petits articles sont nombreux, utiliser plus d’un sac et remplir les sacs de façon égale.

### 4. Ajout de détergent HE

Distributeur Load & Go™ (sur certains modèles)

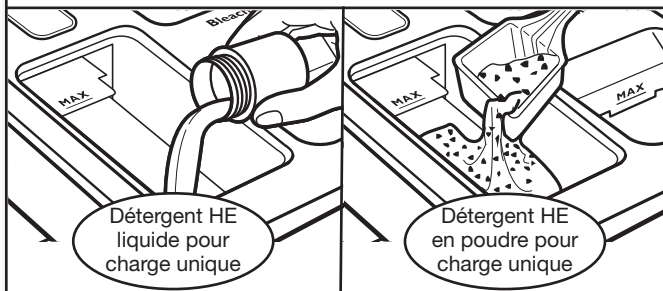


Distributeur Load & Go™ pour détergent HE liquide

Si le distributeur Load & Go™ contient déjà suffisamment de détergent pour laver la charge, choisir simplement l’option Load & Go™ décrite à l’étape 10. S’il faut ajouter du détergent au distributeur Load & Go™, se reporter à la section “Utilisation des distributeurs”.

Ou

Tiroir distributeur pour charge unique



Détergent HE liquide pour charge unique

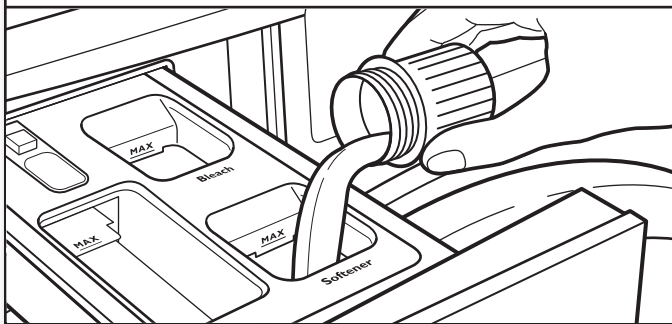
Détergent HE en poudre pour charge unique

Ajuster le sélecteur en fonction du type de détergent HE utilisé (liquide ou en poudre). Ajouter une mesure de détergent directement dans le compartiment à détergent. Voir la section “Utilisation des distributeurs”. Désactiver l’option Load & Go™.

**REMARQUE :** Ne pas placer de sachets de lessive à dose unique, d’activateurs de lessive de type Oxi, de javellisant non décolorant ou de cristaux parfumés dans les distributeurs. Ces produits ne se dissoudront pas correctement.



## 5. Verser de l'assouplissant de tissu liquide dans le distributeur pour charge unique, si désiré



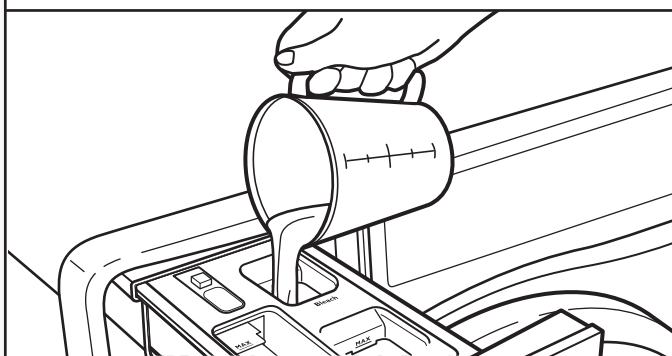
Verser une mesure de l'assouplissant de tissu liquide dans le compartiment pour assouplissant de tissu liquide. Toujours suivre les instructions du fabricant pour connaître la quantité d'assouplissant de tissu adéquate en fonction de la taille de la charge.

L'assouplissant de tissu est toujours distribué lors du rinçage final, même si l'on a sélectionné Extra Rinse.

**IMPORTANT :** Ne pas remplir excessivement le distributeur, diluer le produit ou utiliser plus de la quantité d'assouplissant recommandé par le fabricant. Ne pas remplir au-delà du niveau "MAX". Si l'on remplit excessivement le distributeur, l'assouplissant de tissu sera distribué dans la laveuse immédiatement.

- Ne pas renverser ou faire couler d'assouplissant de tissu sur les vêtements.
- Ne pas utiliser de boules distributrices d'assouplissant de tissu dans cette laveuse. Ces produits ne se dissolvent pas correctement.
- Ne pas utiliser de feuilles d'assouplissant, car elles peuvent tacher la charge.

## 6. Verser de l'eau de Javel dans le distributeur pour charge unique, si désiré



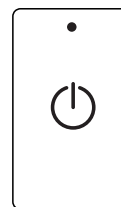
Verser l'eau de Javel dans le compartiment pour eau de Javel. Ne pas remplir excessivement le distributeur, diluer le produit ou utiliser plus de 2/3 tasse (165 mL). Ne pas utiliser de javellisant non décolorant ni de produit Oxi avec un programme utilisant de l'eau de Javel.

### IMPORTANT :

- Toujours mesurer la quantité d'eau de Javel. Utiliser une tasse à mesurer avec un bec verseur ; ne pas utiliser une quantité approximative.

- Ne pas remplir au-delà du niveau "MAX". Un remplissage excessif pourrait endommager les vêtements.
- Ne pas utiliser d'agent de blanchiment épais, facile à verser ou anti-éclaboussure lorsque le programme Clean Washer with affresh® (nettoyage de la laveuse avec affresh®) est en cours car cela peut entraîner une surproduction de mousse.
- Sur certains modèles : Ne pas verser de l'eau de Javel dans le distributeur Load & Go™.
- Fermer lentement les tiroirs distributeurs. S'assurer que les tiroirs sont fermés complètement.

## 7. Appuyer sur le bouton INTERRUPTEUR pour mettre la laveuse sous tension.



## 8. Sélectionner un programme de lavage

• REGULAR	• DELICATES	• BULKY ITEMS	• WHITES	• COLORS	• TOWELS
• NORMAL	• WRINKLE CONTROL	• HEAVY DUTY	• SANITIZE with OXI	• COLD WASH	• QUICK

Tout d'abord, choisir le type d'articles à laver en touchant une sélection dans la rangée supérieure. Choisir ensuite la méthode de lavage de la charge en touchant une sélection dans la rangée du bas pour choisir la meilleure combinaison de programmes pour la charge. Voir "Guide des programmes" pour plus de détails concernant les caractéristiques de programmes.

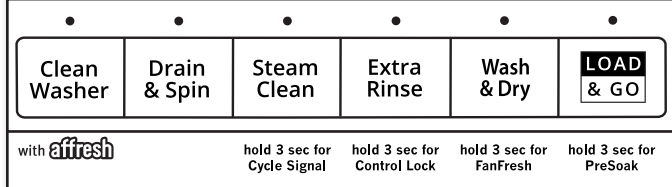
## 9. Ajuster les modificateurs de programme si désiré\*

• • • • •	Temp
Cold Hot	
• • • • •	Spin
Off Fast	
• • •	Soil
Light Heavy	

Les témoins lumineux DEL indiquent les réglages par défaut correspondant au programme sélectionné. Pour modifier un réglage, toucher le bouton correspondant – Temp (température), Spin (essorage) ou Soil (saleté). Ajuster les réglages peut changer la durée estimée restante. Il est possible que la laveuse prolonge le programme si les vêtements sont tassés ou la charge déséquilibrée, ou si la quantité de mousse produite est excessive.

\*Tous les réglages et toutes les options ne sont pas disponibles sur tous les programmes. Voir "Guide de programmes" pour les options et les réglages disponibles.

## 10. Sélectionner toute option supplémentaire\*



Pour ajouter une option au programme, toucher son nom – Steam Clean (nettoyage à la vapeur), Extra Rinse (rinçage supplémentaire) ou Wash & Dry (lavage et séchage). Si l'on souhaite utiliser le distributeur Load & Go™ (sur certains modèles), sélectionner le bouton Load & Go™. Pour les autres options, toucher les boutons indiqués pendant 3 secondes. Pour retirer une option du programme sélectionné, toucher de nouveau ce bouton.

## 11. Toucher et maintenir enfoncé le bouton de MISE EN MARCHE/PAUSE pour démarrer le programme de lavage

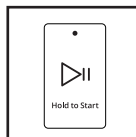


Toucher le bouton de MISE EN MARCHE/PAUSE pendant 3 secondes pour démarrer le programme de lavage. Pour suspendre un programme en cours, toucher une fois le bouton de MISE EN MARCHE/PAUSE, puis le toucher de nouveau sans relâcher pour poursuivre le programme. Pour annuler un programme, toucher le bouton INTERRUPTEUR et faire fonctionner Drain & Spin (vidange et essorage) pour enlever tout excès d'eau.

Après avoir appuyé sur le bouton de mise en marche/pause, le verrouillage de la porte se fait entendre. La porte de la laveuse demeurera verrouillée durant le programme de lavage.

### Déverrouillage de la porte pour pouvoir ajouter des vêtements :

Si l'on doit ouvrir la porte pour pouvoir ajouter un ou deux vêtements oubliés, on peut le faire lorsque le témoin lumineux "Add Garment" est allumé. Le temps alloué pour ajouter un vêtement dépend du programme sélectionné et de la taille de la charge. Toucher une fois le bouton de MISE EN MARCHE/PAUSE ; la porte se déverrouille une fois que le mouvement de la laveuse a cessé. Cette opération peut prendre quelques minutes. Fermer la porte, puis toucher et maintenir enfoncé le bouton de MISE EN MARCHE/PAUSE pour redémarrer le programme.

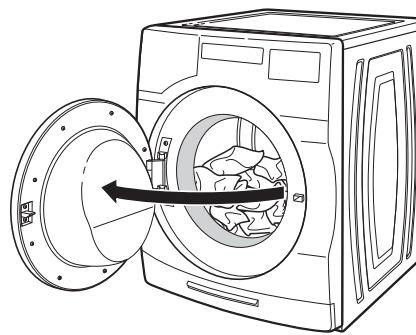


### Ajouter des articles après que le témoin "Add Garment" (ajouter vêtement) soit éteint :

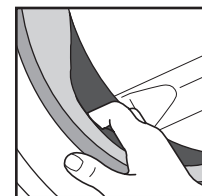
Annuler le programme en cours. L'eau se drainera et le programme devra être sélectionné et démarré de nouveau.

Pour un meilleur lavage efficace et une économie d'énergie optimale, n'ajouter de vêtements que lorsque le témoin "Add Garment" est allumé.

## 12. Retirer rapidement les vêtements une fois le programme terminé



Retirer immédiatement les vêtements une fois le programme terminé pour éviter que des odeurs ne se développent et que les objets métalliques faisant partie des vêtements ne rouillent. Lorsqu'on décharge les vêtements, tirer le dispositif de verrouillage de la porte et vérifier qu'il ne reste pas de petits articles entre la cuve et le tambour de la laveuse.



Si l'on n'est pas en mesure de retirer immédiatement la charge, utiliser l'option FanFresh® si elle est disponible sur le modèle. Si l'option FanFresh® est sélectionnée, la laveuse active automatiquement le ventilateur après la fin du programme et fait culbuter la charge périodiquement pendant 12 heures maximum. Après un programme de lavage avec séchage, retirer immédiatement les vêtements pour ne pas qu'ils se froissent.

### REMARQUES :

- Pour annuler l'option FanFresh®, toucher le bouton INTERRUPTEUR ou le bouton de MISE EN MARCHE/PAUSE.
- Cette laveuse dispose d'une fermeture étanche pour éviter les fuites d'eau. Pour éviter la formation d'odeurs, laisser la porte ouverte afin de permettre à la laveuse de sécher entre deux utilisations.
- La charge sera très chaude si le programme de séchage est interrompu et que la charge est retirée avant la période de refroidissement de la fin du programme.

\*Tous les réglages et toutes les options ne sont pas disponibles sur tous les programmes. Voir "Guide de programmes" pour les options et les réglages disponibles.

# ENTRETIEN DE LA LAVEUSE

## TUYAUX D'ARRIVÉE D'EAU

Remplacer les tuyaux d'arrivée d'eau après cinq ans d'utilisation pour réduire le risque de défaillance intempestive. Inspecter périodiquement les tuyaux ; les remplacer en cas de renflement, de déformation, de coupure et d'usure ou de fuite.

Lors du remplacement de vos tuyaux d'arrivée d'eau :

Noter la date de remplacement au marqueur indélébile sur l'étiquette.

Vérifier que les vieilles rondelles ne sont pas coincées dans les valves d'arrivée d'eau de la laveuse.

Utiliser de nouvelles rondelles avec les nouveaux tuyaux d'entrée pour assurer une bonne étanchéité.

## ENTRETIEN DE LA LAVEUSE

### Recommandations pour une laveuse propre et pour un niveau de performance optimal

1. Utiliser toujours un détergent HE (Haute efficacité) et employer la quantité de détergent recommandée par le fabricant du détergent HE. Ne jamais utiliser plus que la quantité recommandée de détergent, car ceci peut augmenter le taux d'accumulation de résidus de détergent et de souillures à l'intérieur de la laveuse, ce qui pourrait entraîner la formation d'odeurs indésirables.
2. Exécuter périodiquement des lavages avec de l'eau tiède ou chaude (pas exclusivement des lavages à l'eau froide), car l'eau chaude facilite l'élimination des résidus de détergent et de souillures.
3. Veiller à toujours laisser la porte de la laveuse entrouverte pour qu'elle puisse sécher, et pour éviter l'accumulation de résidus générateurs d'odeurs.
4. Nettoyer périodiquement les résidus s'accumulant sur les surfaces intérieures du hublot. Pour un meilleur entretien, passer un linge humide sur toute la partie intérieure de la porte.

### Nettoyage de la laveuse à chargement par l'avant

Lire complètement ces instructions avant d'entreprendre les opérations de nettoyage de routine recommandées ci-dessous. Le processus d'entretien de la laveuse doit être exécuté au moins une fois par mois ou à intervalles de 30 lavages (selon la période la plus courte des deux); ceci permettra de contrôler la vitesse à laquelle les résidus de détergent et les souillures s'accumulent dans la laveuse.

### Nettoyage du joint de la porte

1. Ouvrir la porte de la laveuse et retirer tout vêtement ou article de la laveuse.
2. Inspecter le joint gris entre l'embrasure de la porte et le tambour – noter toute zone tachée, l'accumulation de souillures ou de charpie. Tirer sur le joint pour examiner complètement la zone qui se trouve en dessous et vérifier qu'elle est libre de tout objet étranger ou de toute charpie.
3. S'il y a des zones tachées, d'accumulation de souillures ou de charpie, nettoyer ces zones du joint par essuyage, selon l'une des deux méthodes ci-dessous :

#### a. Procédure de nettoyage avec lingettes affresh® :

- i. Une fois le programme terminé, tirer doucement sur le joint en caoutchouc de la porte et nettoyer toute la surface avec la face rugueuse de la lingette de nettoyage pour laveuse affresh®.

## ENTRETIEN DE LA LAVEUSE (suite)

### b. Procédure de nettoyage avec de l'eau de Javel diluée :

- i. Préparer une solution diluée d'eau de Javel – 3/4 tasse (177 mL) d'eau de Javel et 1 gallon (3,8 L) d'eau tiède puisée au robinet.
- ii. Essuyer la zone du joint avec la solution diluée, en utilisant un chiffon humide.
- iii. Laisser agir pendant 5 minutes.
- iv. Essuyer parfaitement la surface du joint avec un chiffon sec, et laisser la porte de la laveuse ouverte pour que l'intérieur puisse sécher.

### IMPORTANT :

- Porter des gants de caoutchouc lors du nettoyage avec de l'eau de Javel.
- Consulter les instructions du fabricant de l'eau de Javel pour une utilisation correcte.

### Nettoyage de l'intérieur de la laveuse

Cette laveuse comporte un programme spécial qui utilise un volume d'eau plus important en conjonction avec le nettoyant pour laveuse affresh® ou l'eau de Javel ordinaire pour nettoyer à fond l'intérieur de la laveuse. Les modèles avec génération de vapeur utilisent également la vapeur avec ce programme spécial pour le nettoyage approfondi de l'appareil.

**IMPORTANT :** Ne pas utiliser d'agent de blanchiment épais, facile à verser ou anti-éclaboussure lorsque le programme Clean Washer with affresh® (nettoyage de la laveuse avec affresh®) est en cours car cela peut entraîner une surproduction de mousse.

**REMARQUE :** Lire ces instructions complètement avant de débiter la procédure de nettoyage.

### Début de la procédure

#### 1. Nettoyer la laveuse à l'aide du programme Clean Washer with affresh® (recommandé pour une performance optimale) :

- a. Ouvrir la porte de la laveuse ; retirer tous les articles présents dans la laveuse.
- b. Utiliser une lingette de nettoyage pour laveuse affresh® un tissu doux mouillé ou une éponge pour nettoyer l'intérieur de la porte en verre.
- c. Ajouter une pastille de nettoyant pour laveuse affresh® dans le tambour de la laveuse.
- d. Ne pas ajouter de pastille de nettoyant pour laveuse affresh® dans le tiroir distributeur.
- e. Ne pas ajouter de détergent ou d'autre composé chimique dans la laveuse lors de l'exécution de cette procédure.
- f. Fermer la porte de la laveuse.
- g. Sélectionner le programme Clean Washer with affresh® (nettoyage de la laveuse avec affresh®).
- h. **Sur certains modèles :** Sélectionner l'option FanFresh® pour mieux sécher l'intérieur de la laveuse une fois le programme terminé.

**REMARQUE :** La laveuse garde en mémoire la dernière sélection d'option et la sélectionnera pour les prochains programmes de lavage, à moins que cette option soit retirée.

- i. Toucher et maintenir enfoncé le bouton de MISE EN MARCHE/PAUSE pour démarrer le programme. Le programme Clean Washer with affresh® (nettoyage de la laveuse avec affresh®) est décrit ci-dessous.

## ENTRETIEN DE LA LAVEUSE (suite)

### 2. Méthode avec de l'eau de Javel :

- a. Ouvrir la porte de la laveuse ; retirer tous les articles présents dans la laveuse.
- b. Ouvrir le tiroir distributeur pour charge unique et ajouter de l'eau de Javel jusqu'à la ligne "MAX" à la fois dans les compartiments d'eau de Javel et d'assouplissant de tissu. On peut utiliser un agent de blanchiment au chlore HE ou traditionnel.

**IMPORTANT :** Ne pas utiliser d'agent de blanchiment épais, facile à verser ou anti-éclaboussure car cela peut entraîner une surproduction de mousse.

**REMARQUE :** L'emploi d'une quantité d'eau de Javel supérieure à ce qui est recommandé ci-dessus pourrait endommager la laveuse avec le temps.

- c. Fermer la porte de la laveuse et le tiroir distributeur.
- d. Ne pas ajouter de détergent ou autre composé chimique dans la laveuse lors de l'exécution de cette procédure.
- e. Sélectionner le programme Clean Washer with affresh® (nettoyage de la laveuse avec affresh®).
- f. **Sur certains modèles :** Sélectionner l'option FanFresh® pour mieux sécher l'intérieur de la laveuse une fois le programme terminé.  
**REMARQUE :** La laveuse garde en mémoire la dernière sélection d'option et la sélectionnera pour les prochains programmes de lavage, à moins que cette option soit retirée.
- g. Toucher et maintenir enfoncé le bouton de MISE EN MARCHE/PAUSE pour démarrer le programme. Le programme Clean Washer with affresh® (nettoyage de la laveuse avec affresh®) est décrit ci-dessous.

**REMARQUE :** Pour de meilleurs résultats, ne pas interrompre le programme.

### Description du programme Clean Washer with affresh® :

1. Le programme Clean Washer with affresh® (nettoyage de la laveuse avec affresh®) détecte la présence éventuelle de linge dans la laveuse.
2. Si aucun article n'est détecté dans la laveuse, l'exécution du programme se poursuit.
  - a. Si des articles sont détectés dans la laveuse, "rL" (remove load) s'affiche pour indiquer qu'il faut retirer la charge. La porte se déverrouille. Ouvrir la laveuse et retirer tout le linge qui se trouve dans le tambour de la laveuse.
  - b. Toucher le bouton INTERRUPTEUR pour effacer le code "rL".
  - c. Toucher et maintenir enfoncé le bouton de MISE EN MARCHE/PAUSE pour redémarrer le programme.
3. **Modèles avec génération de vapeur uniquement :** Durant ses 20 premières minutes, le programme active la génération de vapeur, mais le tambour ne tourne pas et ne se remplit pas d'eau. De la condensation peut se former sur la porte en verre durant cette phase initiale. En cas d'utilisation d'une pastille de nettoyant pour laveuse affresh®, celle-ci ne se dissout pas entièrement durant la phase de génération de vapeur. Ceci est normal.

À la fin du programme, laisser la porte entrouverte pour permettre une meilleure ventilation et pour que l'intérieur de la laveuse puisse sécher.

## ENTRETIEN DE LA LAVEUSE (suite)

### Nettoyage des distributeurs

Après avoir utilisé le programme Clean Washer with affresh® (nettoyage de la laveuse avec affresh®), on peut parfois constater une accumulation de résidus dans les distributeurs de la laveuse.

Pour éliminer les résidus du distributeur pour charge unique, retirer le tiroir et essuyer les surfaces avec une lingette de nettoyage pour laveuse affresh® ou un chiffon humide, et sécher avec une serviette avant ou après l'exécution du programme Clean Washer with affresh® (nettoyage de la laveuse avec affresh®). Si nécessaire, utiliser un nettoyant tout-usage.

Sur certains modèles : Pour retirer les résidus du distributeur Load & Go™, soulever la poignée sur le boîtier du distributeur et tirer pour le retirer de la caisse de la laveuse ; rincer ensuite le distributeur à fond avec de l'eau courante. Essuyer la surface externe du distributeur avec une lingette de nettoyage pour laveuse affresh® ou un chiffon humide, et sécher avec une serviette. Si nécessaire, utiliser un nettoyant tout-usage.

Replacer le distributeur dans la caisse de la laveuse en s'assurant qu'il est bien placé.

**IMPORTANT :** Les distributeurs ne sont pas lavables au lave-vaisselle.

### Nettoyage de l'extérieur de la laveuse

Utiliser une lingette de nettoyage pour laveuse affresh® ou un chiffon doux mouillé ou une éponge pour essuyer tout renversement. Essuyer de temps en temps les surfaces externes de la laveuse pour entretenir son aspect neuf. Utiliser une lingette de nettoyage pour laveuse affresh® ou de l'eau et du savon doux.

**IMPORTANT :** Afin d'éviter d'endommager le revêtement de la laveuse, ne pas utiliser de produits abrasifs.

## RAPPEL DE LANCEMENT DU PROGRAMME CLEAN WASHER (nettoyage de la laveuse)

**REMARQUE :** Les modèles ne sont pas tous équipés du témoin lumineux Clean Washer with affresh® (nettoyage de la laveuse avec affresh®).

Le témoin DEL Clean Washer with affresh® clignote à la fin d'un programme de lavage après que la laveuse a effectué 30 programmes de lavage. Il fait office de rappel indiquant à l'utilisateur qu'il faut faire fonctionner le programme Clean Washer with affresh® (nettoyage de la laveuse avec affresh®).

Si le programme Clean Washer with affresh® n'est pas activé, le témoin DEL cesse de clignoter à la fin d'un programme de lavage après que la laveuse a effectué trois programmes de lavage ordinaires supplémentaires. Après que la laveuse a effectué 30 programmes de lavage supplémentaires, le témoin DEL de Clean Washer with affresh® clignote à nouveau à la fin d'un programme de lavage en guise de rappel.

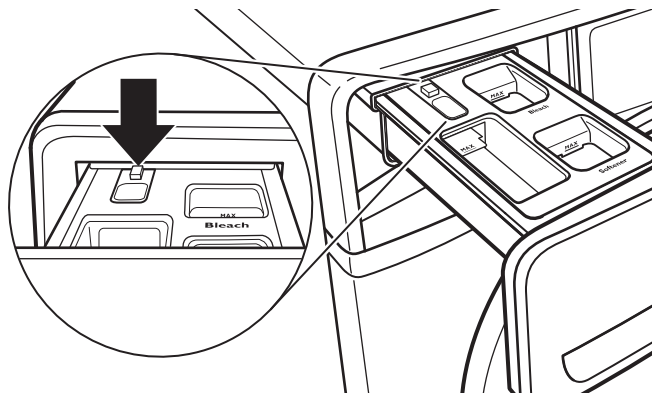
## RETRAIT DU DISTRIBUTEUR (suite)

### Tiroir distributeur pour charge unique

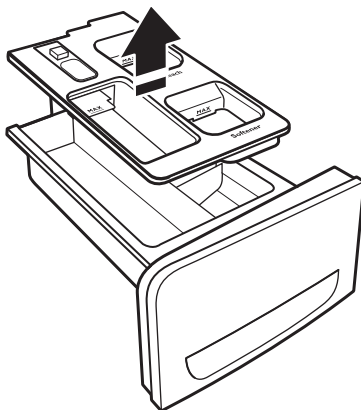
#### Retrait du distributeur

##### Pour enlever :

1. Retirer le tiroir distributeur jusqu'en butée.
2. Appuyer sur la patte de déverrouillage et dégager le distributeur en le tirant tout droit.

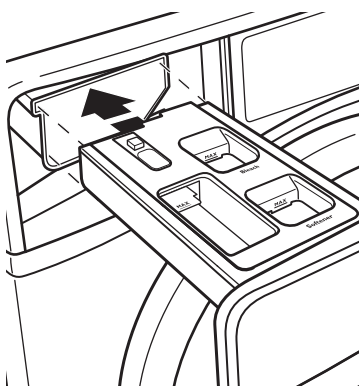


3. Soulever le panneau du couvercle et le tirer tout droit vers le haut pour le retirer.



##### Pour replacer :

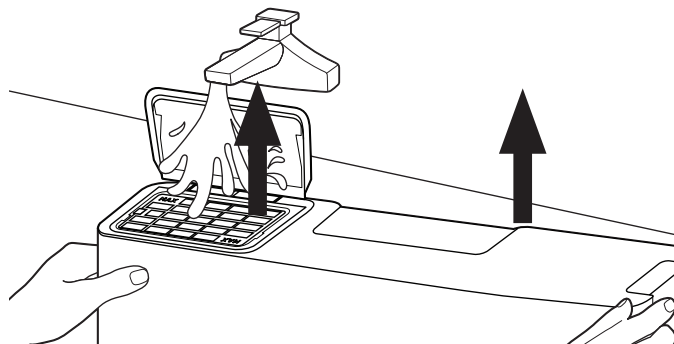
1. Positionner le couvercle sur les ergots du distributeur. Appliquer une légère pression sur le couvercle pour le mettre en place.
2. Aligner les bords du distributeur avec les guides situés dans la laveuse, puis réinsérer le distributeur dans la fente en le faisant glisser.



## NETTOYAGE DES RÉCIPIENTS LOAD & GO™ (sur certains modèles)

Il est recommandé de rincer les récipients Load & Go™ lorsqu'on change de type ou de concentration de détergent, ou si l'on n'utilise pas la laveuse pendant une période prolongée.

1. Retirer le tiroir distributeur jusqu'en butée.
2. Sortir les récipients Load & Go™.
3. Soulever le couvercle de remplissage et vidanger l'intérieur soigneusement à l'eau chaude.



4. Laisser sécher à l'air.

**IMPORTANT :** Les récipients ne sont pas lavables au lave-vaisselle.

## NON UTILISATION ET ENTRETIEN EN PÉRIODE DE VACANCES

Faire fonctionner la laveuse seulement lorsqu'on est présent. Lors d'un déménagement ou si la laveuse n'est pas utilisée pendant longtemps, suivre les étapes suivantes :

1. Débrancher la laveuse ou déconnecter la source de courant électrique.
2. Fermer l'alimentation en eau à la laveuse pour éviter toute inondation due à une surpression.

**CONSEIL UTILE :** Fixer une note de rappel à la laveuse d'ouvrir le robinet d'eau avant de l'utiliser à nouveau.

3. Nettoyer les distributeurs. Voir "Nettoyage des distributeurs".

## ENTRETIEN POUR ENTREPOSAGE HIVERNAL

**IMPORTANT :** Pour éviter tout dommage, installer et remettre la laveuse à l'abri du gel. L'eau qui peut rester dans les tuyaux risque d'abîmer la laveuse en temps de gel. Si la laveuse doit faire l'objet d'un déménagement ou d'un entreposage au cours d'une période de gel, hivériser la laveuse.

#### Hivérization de la laveuse :

1. Fermer les deux robinets d'eau, puis déconnecter et vidanger les tuyaux d'arrivée d'eau.

**CONSEIL UTILE :** Fixer une note de rappel à la laveuse d'ouvrir le robinet d'eau avant de l'utiliser à nouveau.

2. Placer 1 pte (1 L) d'antigel pour véhicule récréatif dans le tambour de la laveuse et faire fonctionner la laveuse sur un programme Normal pendant environ 2 minutes pour mélanger l'antigel et l'eau restante.
3. Débrancher la laveuse ou déconnecter la source de courant électrique.

## TRANSPORT DE LA LAVEUSE

1. Fermer les deux robinets d'eau. Débrancher et vidanger les tuyaux d'arrivée d'eau.
2. Pour déplacer la laveuse pendant une période de gel, suivre les instructions de la section "Entretien pour entreposage hivernal" avant de le déplacer.
3. Déconnecter le tuyau d'évacuation du système d'évacuation et de l'arrière de la laveuse.
4. Débrancher le cordon d'alimentation.
5. Placer les tuyaux d'arrivée d'eau et le tuyau d'évacuation dans le tambour de la laveuse.
6. Enrouler le cordon d'alimentation et l'attacher avec un élastique ou avec un attache-câble pour l'empêcher de traîner sur le plancher.

**IMPORTANT :** Demander une intervention de dépannage si l'on doit installer de nouveaux boulons de transport. Ne pas réutiliser les boulons de transport. Le lave-linge doit être transporté en position verticale. Afin d'éviter d'endommager la structure de la laveuse, celle-ci doit être correctement installée pour pouvoir être déplacée par un technicien agréé.

## ⚠ AVERTISSEMENT



### Risque de choc électrique

**Brancher sur une prise à 3 alvéoles reliée à la terre.**

**Ne pas enlever la broche de liaison à la terre.**

**Ne pas utiliser un adaptateur.**

**Ne pas utiliser un câble de rallonge.**

**Le non-respect de ces instructions peut causer un décès, un incendie ou un choc électrique.**

## RÉINSTALLATION/RÉUTILISATION DE LA LAVEUSE

Pour réinstaller la laveuse après une période de non-utilisation, de vacances, de remisage pour l'hiver ou après un déménagement :

1. Consulter les instructions d'installation pour choisir l'emplacement, régler l'aplomb de la laveuse et la raccorder.
2. Avant de réutiliser la laveuse, exécuter la procédure recommandée suivante :

### Remise en marche de la laveuse :

1. Vidanger les canalisations d'eau et les tuyaux. Reconnecter les tuyaux d'arrivée d'eau. Ouvrir les deux robinets d'eau.
2. Brancher la laveuse ou reconnecter la source de courant électrique.
3. Faire exécuter à la laveuse le programme Heavy Duty (service intense) pour nettoyer la laveuse et éliminer l'antigel, le cas échéant. Utiliser uniquement un détergent HE. Utiliser la moitié de la quantité recommandée par le fabricant pour une charge de taille moyenne.

## ⚠ AVERTISSEMENT



### Risque de choc électrique

Déconnecter la source de courant électrique avant le nettoyage.

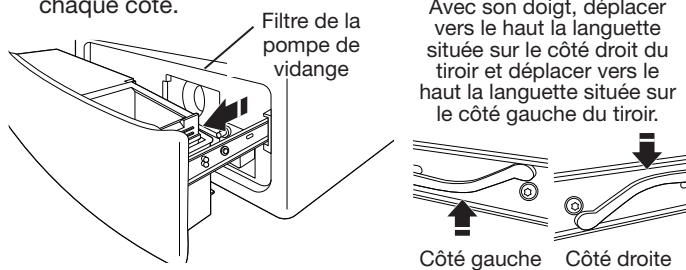
Replacer pièces et panneaux avant de faire la remise en marche.

Le non-respect de ces instructions peut causer un décès ou un choc électrique.

## NETTOYAGE DU FILTRE DE LA POMPE DE VIDANGE / VIDANGE DE L'EAU RÉSIDUELLE (sur certains modèles)

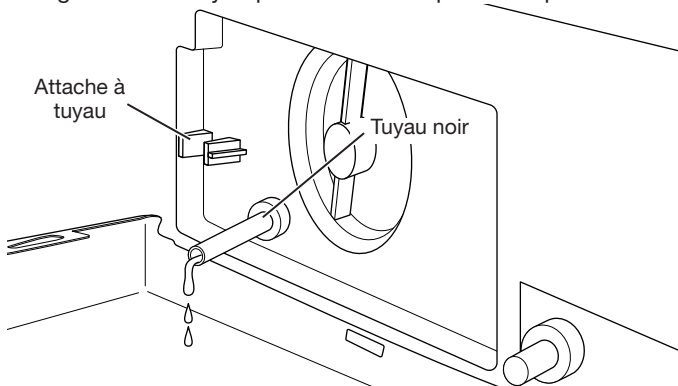
**REMARQUE :** Effectuer la procédure suivante de temps en temps.

1. Ouvrir le tiroir distributeur en tirant sur la poignée à la base de la laveuse. afin de révéler le filtre de la pompe de vidange. Retirer le tiroir en relâchant les languettes de chaque côté.

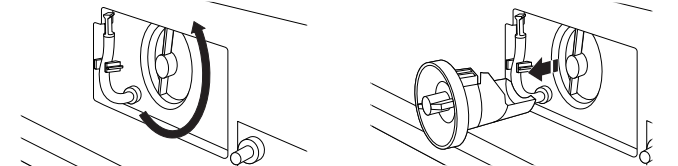


2. Placer un récipient plat sous le filtre de la pompe de vidange pour ramasser l'eau de vidange. Dégager le tuyau noir du collier de serrage, retirer le bouchon et vidanger le tuyau dans le récipient. Vider le contenant. Répéter au besoin la procédure jusqu'à ce qu'il n'y ait plus d'eau. S'assurer que le tuyau noir est complètement sec, replacer le bouchon et fixer le tuyau dans l'attache.

**REMARQUE :** Si l'eau ne se vidange pas bien, pousser légèrement le tuyau pour éliminer de possibles plis.

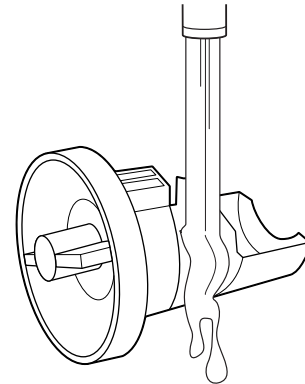


3. Placer un chiffon en coton sous le filtre de la pompe de vidange pour absorber l'eau restante. Retirer ensuite le filtre de la pompe de vidange en le tournant en sens antihoraire.

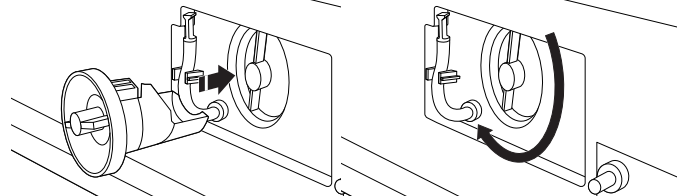


## NETTOYAGE DU FILTRE DE LA POMPE DE VIDANGE/VIDANGE DE L'EAU RÉSIDUELLE (suite)

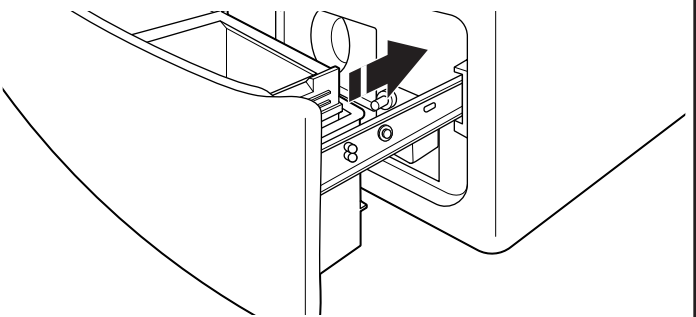
4. Retirer la charpie à la main du filtre et le jeter de façon appropriée. Enlever les résidus restants du filtre en le rinçant à l'eau.



5. Replacer le filtre de la pompe de vidange en le tournant en sens horaire. S'assurer de tourner aussi loin que possible en gardant la poignée du filtre en position verticale.

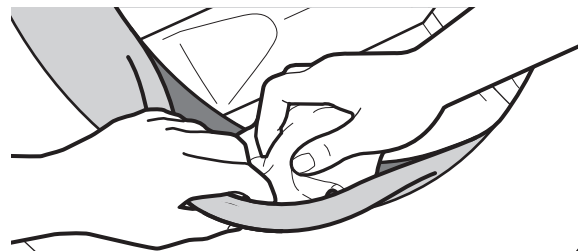


6. Replacer et fermer le tiroir distributeur. S'assurer d'insérer les deux rails simultanément lors du remplacement du tiroir. Un dé clic se fait entendre indiquant que les rails sont engagés. Pour assurer un positionnement correct du tiroir, le retirer complètement. Le tiroir doit être complètement engagé et les rails verrouillés en place. S'assurer que le tuyau de vidange est bien fixé dans l'attache de tuyau et rentré sous la découpe.



## NETTOYAGE SUPPLÉMENTAIRE

Retirer doucement le joint de porte en caoutchouc et nettoyer les zones tachées, l'accumulation de saleté ou de charpie avec le côté texturé d'une lingette de nettoyage pour laveuse affresh®.



# DÉPANNAGE

Essayer d'abord les solutions suggérées ici ou consulter notre site Web [www.whirlpool.com/owners](http://www.whirlpool.com/owners) (au Canada, [www.whirlpool.ca/owners](http://www.whirlpool.ca/owners)) pour obtenir de l'aide et éviter une intervention de réparation.

Si les problèmes suivants surviennent	Causes possibles	Solution
<b>Le code d'erreur s'affiche sur l'afficheur (pour les affichages à 2 et 3 caractères)</b>		
Une fois que tout problème éventuel a été résolu, toucher le bouton INTERRUPTEUR pour effacer le code. Sélectionner à nouveau et remettre le programme en marche.		
"Sd" ou "SUD" (mousse excessive) apparaît sur l'affichage	Il y a trop de mousse dans la laveuse. La laveuse exécute une procédure de réduction de la quantité de mousse.	Laisser la machine continuer. Utiliser uniquement un détergent HE. Toujours suivre les recommandations du fabricant de détergent pour déterminer la quantité de détergent à utiliser. La quantité de détergent doit aussi tenir compte de la charge à laver. Les détergents identifiés HE ne sont pas tous identiques et ne produisent pas tous la même quantité de mousse. Par exemple, les détergents HE, naturels, organiques et faits maison peuvent produire une plus grande quantité de mousse. Si l'un de ces produits est utilisé et que le code d'erreur "SUD" s'affiche à l'écran, l'utilisation d'un autre détergent HE est conseillée.
"Lo" suivi de "FL" ou "F8" suivi de "E1" ou "Lo" suivi de "FL" ou "F08" suivi de "E01" (erreur d'alimentation en eau) apparaît sur l'afficheur	Vérifier que l'alimentation en eau est adéquate.	L'appareil évacue l'eau pendant 8 minutes tandis que la porte reste verrouillée. Le programme de vidange doit pouvoir se terminer pour que les codes d'erreurs puissent être supprimés. Une fois terminé, toucher une fois le bouton INTERRUPTEUR pour effacer le code. Appuyer ensuite de nouveau sur le bouton INTERRUPTEUR pour redémarrer la laveuse. Si le code réapparaît, faire un appel de service.
		Les deux tuyaux doivent être fixés et l'eau doit pénétrer dans la valve d'arrivée.
		Les robinets d'eau chaude et d'eau froide doivent être ouverts tous les deux.
		Les tamis des valves d'arrivée d'eau de la laveuse sont peut-être obstrués.
		Éliminer toute déformation du tuyau d'arrivée.
Vérifier que les tuyaux d'arrivée d'eau sont appropriés.	Utiliser uniquement les tuyaux d'arrivée d'eau recommandés par le fabricant.	
"F9" suivi de "E1" ou "F09" suivi de "E01" (erreur du système de pompe de vidange) apparaît sur l'afficheur	Inspecter le circuit de plomberie pour vérifier que le tuyau de vidange est correctement installé. Le tuyau de vidange se prolonge dans le tuyau rigide de rejet à l'égout au-delà de 4½" (114 mm).	Vérifier que le tuyau de vidange est correctement installé.
		Vérifier que le tuyau d'évacuation n'est pas déformé, écrasé ou obstrué.
		Retirer toute obstruction du tuyau de vidange.
		Utiliser la bride de retenue pour tuyau de vidange et la fixer solidement au tuyau rigide de rejet à l'égout ou à la cuve.
		Abaisser le tuyau de vidange si l'extrémité se trouve à plus de 96" (2,4 m) au-dessus du plancher.
Détergent HE non utilisé ou utilisation excessive de détergent HE.	Utiliser uniquement un détergent HE. Toujours mesurer le détergent et suivre les instructions du fabricant en fonction de la taille et du niveau de saleté de la charge.	
"F5" suivi de "E2" ou "F05" suivi de "E02" (la porte ne se verrouille pas) apparaît sur l'afficheur	La porte de la laveuse ne se verrouille pas.	Toucher le bouton INTERRUPTEUR pour annuler le programme. Vérifier que la porte est parfaitement fermée et verrouillée. Vérifier qu'aucun article dans le tambour de la laveuse n'est susceptible d'empêcher la porte de se fermer complètement.



# DÉPANNAGE

Essayer d'abord les solutions suggérées ici ou consulter notre site Web [www.whirlpool.com/owners](http://www.whirlpool.com/owners) (au Canada, [www.whirlpool.ca/owners](http://www.whirlpool.ca/owners)) pour obtenir de l'aide et éviter une intervention de réparation.

Si les problèmes suivants surviennent	Causes possibles	Solution
<b>Le code d'erreur s'affiche sur l'afficheur (pour les affichages à 2 et 3 caractères) (suite)</b>		
"rL" (retirer la charge) apparaît sur l'afficheur	Charge détectée dans le tambour durant le programme Clean Washer with affresh® (nettoyage de la laveuse avec affresh®).	Retirer les articles du tambour et redémarrer le programme Clean Washer with affresh®.

## AVERTISSEMENT



### Risque de choc électrique

**Brancher sur une prise à 3 alvéoles reliée à la terre.**

**Ne pas enlever la broche de liaison à la terre.**

**Ne pas utiliser un adaptateur.**

**Ne pas utiliser un câble de rallonge.**

**Le non-respect de ces instructions peut causer un décès, un incendie ou un choc électrique.**

Un code F# E# or F## E## autre que les codes décrits ci-dessus apparaît sur l'afficheur	Code d'erreur du système.	Appuyer une fois sur le bouton INTERRUPTEUR pour effacer le code. Appuyer ensuite de nouveau sur le bouton INTERRUPTEUR pour redémarrer la laveuse. Si le code réapparaît, faire un appel de service. Débrancher la laveuse pendant 30 secondes, puis la rebrancher.
La laveuse émet des signaux sonores pour signaler une erreur	La porte n'a été ni ouverte ni fermée pendant au moins trois programmes.	Ce code peut apparaître lorsque la laveuse est mise en marche pour la première fois. Ouvrir et fermer la porte pour effacer l'affichage.
La laveuse émet un bip lorsqu'on appuie sur le bouton de mise en marche/pause	La porte n'est pas fermée.	Fermer la porte complètement.
Témoin lumineux DEL de nettoyage de la laveuse clignotant à la fin du programme de lavage (sur certains modèles)	La laveuse a effectué 30 programmes de lavage et un témoin de rappel indiquant à l'utilisateur qu'il doit faire fonctionner le programme Clean Washer with affresh®.	Faire fonctionner le programme Clean Washer with affresh® (nettoyage de la laveuse avec affresh®). Si le programme Clean Washer with affresh® n'est pas activé, le témoin DEL cesse de clignoter à la fin d'un programme de lavage après que la laveuse a effectué trois programmes de lavage ordinaires supplémentaires. Après que la laveuse a effectué 30 programmes de lavage supplémentaires, le témoin DEL de Clean Washer with affresh® clignote à nouveau à la fin d'un programme de lavage en guise de rappel.

# DÉPANNAGE

Essayer d'abord les solutions suggérées ici ou consulter notre site Web [www.whirlpool.com/owners](http://www.whirlpool.com/owners) (au Canada, [www.whirlpool.ca/owners](http://www.whirlpool.ca/owners)) pour obtenir de l'aide et éviter une intervention de réparation.

Si les problèmes suivants surviennent	Causes possibles	Solution
<b>Vibrations ou déséquilibre</b>		
Vibrations, balancement ou effet de "marche" de la machine	Les pieds ne sont peut-être pas verrouillés ou en contact avec le plancher.	Les pieds avant et arrière doivent être en contact ferme avec le plancher et la laveuse doit être d'aplomb pour fonctionner correctement. Les contre-écrous doivent être bien serrés contre le bas de la caisse.
	La laveuse n'est peut-être pas d'aplomb.	Vérifier que le plancher n'est pas incurvé ou qu'il ne s'affaisse pas. Si le plancher est irrégulier, un morceau de contreplaqué de 3/4" (19 mm) placé sous la laveuse permettra de réduire le bruit. Ne pas installer la laveuse sur une plateforme surélevée en bois. Voir "Réglage de l'aplomb de la laveuse" dans les Instructions d'installation.
	La charge est peut-être déséquilibrée ou de trop grande taille.	Éviter de tasser la charge. Éviter de laver un article seul. Compenser le poids d'un article seul tel qu'un tapis ou une veste en jeans par quelques articles supplémentaires pour équilibrer le tout. L'article ou la charge ne convient pas au programme sélectionné. Voir "Guide de programmes" et "Utilisation de la laveuse".
	Les boulons d'expédition se trouvent toujours à l'arrière de la laveuse.	Voir "Retrait des boulons d'expédition de la laveuse" dans les Instructions d'installation.
<b>Bruits</b>		
Cliquetis ou bruits métalliques	Porte qui se verrouille ou se déverrouille.	Après avoir démarré un programme, le tambour tourne partiellement et la porte se verrouille. La porte demeure verrouillée jusqu'à la fin du programme. Ceci est normal.
	Des objets sont coincés dans le système de vidange de la laveuse.	Vider les poches avant le lavage. Les articles mobiles comme des pièces de monnaie sont susceptibles de tomber entre le tambour et la cuve de la laveuse ; ils peuvent aussi obstruer la pompe. Un appel pour intervention de dépannage s'avéra peut-être nécessaire pour retirer ces objets. Il est normal d'entendre des articles métalliques faisant partie des articles comme les boutons-pression métalliques, boucles ou fermetures à glissière toucher le tambour en acier inoxydable.
Gargouillement ou bourdonnement	La laveuse est peut-être en train d'évacuer de l'eau.	La pompe peut produire un bourdonnement accompagné de gargouillements ou de bruits de pompage périodiques lorsque les quantités d'eau restantes sont éliminées au cours des programmes d'essorage/de vidange. Ceci est normal pour certaines étapes du programme.
Roulement, ballotement ou cliquetis occasionnel (pour un essorage à faible vitesse)	Les boules d'acier du système d'équilibrage équilibrent la charge.	Ceci est normal pour certaines étapes du programme.
<b>Fuites d'eau</b>		
Vérifier ce qui suit pour que l'installation soit correcte	Les tuyaux de remplissage ne sont pas solidement fixés.	Serrer le raccord du tuyau de remplissage.
	Rondelles d'étanchéité des tuyaux de remplissage.	Bien mettre en place les quatre rondelles des tuyaux d'arrivée d'eau.
	Raccord du tuyau de vidange.	Vérifier que le tuyau d'évacuation est bien fixé au tuyau de rejet à l'égout ou à l'évier de buanderie.
	Sur certains modèles : Le filtre de la pompe de vidange n'est pas correctement installé.	Sur certains modèles : Vérifier que le filtre est bien placé dans son logement. Voir la section "Nettoyage du filtre de la pompe de vidange/drainage de l'eau résiduelle."
	Inspecter le circuit de plomberie du domicile pour vérifier qu'il n'y a pas de fuites ou que l'évier ou le tuyau de vidange n'est pas obstrué.	De l'eau pourrait refouler de l'évier ou du tuyau de rejet à l'égout obstrué. Inspecter tout le circuit de plomberie du domicile (éviers de buanderie, tuyau de vidange, conduites d'eau et robinets) pour vérifier qu'il n'y a aucune fuite.
	La grille (ou le bas de nylon) située au bout du tuyau de vidange est bouchée.	Retirer la grille ou le bas du tuyau de drainage.

# DÉPANNAGE

Essayer d'abord les solutions suggérées ici ou consulter notre site Web [www.whirlpool.com/owners](http://www.whirlpool.com/owners) (au Canada, [www.whirlpool.ca/owners](http://www.whirlpool.ca/owners)) pour obtenir de l'aide et éviter une intervention de réparation.

Si les problèmes suivants surviennent	Causes possibles	Solution
<b>Fuites d'eau (suite)</b>		
Eau ou mousse suintant par la porte ou par l'arrière de la caisse.	Détergent HE non utilisé ou utilisation excessive de détergent HE.	Utiliser uniquement un détergent HE. La mousse produite par des détergents ordinaires peut causer des fuites au niveau de la porte ou de l'arrière de la caisse. Toujours mesurer la quantité de détergent et suivre les instructions du détergent en fonction des modalités de nettoyage de la charge.
	Ne pas utiliser d'agent de blanchiment épaissi, facile à verser ou anti-éclaboussure lorsque le programme Clean Washer with affresh® (nettoyage de la laveuse avec affresh®) est en cours.	Utiliser une pastille affresh® ou de l'eau de Javel ordinaire non épaissie lorsque le programme Clean Washer with affresh® (nettoyage de la laveuse avec affresh®) est en cours.
	Résidus sur la porte en verre.	Nettoyer régulièrement le dessous de la porte en verre pour éviter toute fuite éventuelle.
	Porte ouverte pendant que la fonction "Add Garment" (ajouter vêtement) est activée.	De l'eau peut suinter de l'intérieur de la porte si celle-ci est ouverte après le début d'un programme.
Fuite autour de la porte	Des cheveux, de la charpie ou d'autres débris sur l'intérieur de la porte en verre empêchent la fermeture étanche de la porte.	Nettoyer l'intérieur de la porte en verre et le joint. Voir "Nettoyage du joint de la porte" dans la section "Entretien de la laveuse".
<b>La laveuse ne fonctionne pas comme prévu</b>		
La charge n'est pas complètement submergée dans l'eau	Niveau d'eau non visible par la porte ou eau ne recouvrant pas les vêtements.	Ceci est normal pour une laveuse HE à chargement frontal. La laveuse détecte la taille de la charge et ajoute la quantité d'eau adéquate pour un nettoyage optimal.
La laveuse ne fonctionne pas ou ne se remplit pas ; elle cesse de fonctionner	Vérifier que l'alimentation en eau est adéquate.	Les deux tuyaux doivent être fixés et l'eau doit pénétrer dans la valve d'arrivée.
		Les deux robinets d'eau chaude et d'eau froide doivent être ouverts.
		Vérifier que les tamis des valves d'arrivée ne sont pas obstrués.
		Vérifier que les tuyaux d'arrivée d'eau ne sont pas déformés ; ceci peut réduire le débit.

# DÉPANNAGE

Essayer d'abord les solutions suggérées ici ou consulter notre site Web [www.whirlpool.com/owners](http://www.whirlpool.com/owners) (au Canada, [www.whirlpool.ca/owners](http://www.whirlpool.ca/owners)) pour obtenir de l'aide et éviter une intervention de réparation.

Si les problèmes suivants surviennent	Causes possibles	Solution
<b>La laveuse ne fonctionne pas comme prévu (suite)</b>		

## AVERTISSEMENT



### Risque de choc électrique

**Brancher sur une prise à 3 alvéoles reliée à la terre.**

**Ne pas enlever la broche de liaison à la terre.**

**Ne pas utiliser un adaptateur.**

**Ne pas utiliser un câble de rallonge.**

**Le non-respect de ces instructions peut causer un décès, un incendie ou un choc électrique.**

La laveuse ne fonctionne pas ou ne se remplit pas ; elle cesse de fonctionner (suite)	Vérifier que l'alimentation électrique à la machine est correcte.	Brancher le cordon d'alimentation dans une prise à 3 alvéoles reliée à la terre. Ne pas utiliser de rallonge. Vérifier que la prise est alimentée. Ne pas brancher dans un DDFT (disjoncteur différentiel de fuite à la terre). Inspecter la source de courant électrique ou appeler un électricien pour vérifier si la tension est basse. Réarmer le disjoncteur déclenché. Remplacer tout fusible grillé. <b>REMARQUE</b> : Si le problème persiste, appeler un électricien.
	La détection de la taille de la charge est en cours.	Une fois la charge de linge détectée par la machine, la durée de lavage estimée en fonction de la taille de la charge s'affiche et l'eau est ajoutée.
	Fonctionnement normal de la laveuse.	La porte doit être complètement fermée et verrouillée pour que la laveuse puisse fonctionner.
		La laveuse fait une pause d'environ 2 minutes au cours de certains programmes. Laisser le programme se poursuivre. Certains programmes comprennent des périodes de culbutage et de trempage.
		On peut arrêter la laveuse pour réduire la production de mousse. Utiliser toujours la bonne quantité de détergent HE.
		Le programme de lavage à l'eau froide utilise moins d'eau au début du programme afin de permettre une concentration élevée de détergent et un lavage optimal. Après ce culbutage dans une eau concentrée en détergent, le lavage se poursuit avec davantage d'eau.
		Durant ses 20 premières minutes, le programme Clean Washer with affresh® (nettoyage de la laveuse avec affresh®) active la génération de vapeur, mais le tambour ne tourne pas et ne se remplit pas d'eau. De la condensation peut se former sur la porte en verre durant cette phase initiale. En cas d'utilisation d'une pastille de nettoyant pour laveuse affresh®, celle-ci ne se dissout pas entièrement durant la phase de génération de vapeur. Ceci est normal.

# DÉPANNAGE

Essayer d'abord les solutions suggérées ici ou consulter notre site Web [www.whirlpool.com/owners](http://www.whirlpool.com/owners) (au Canada, [www.whirlpool.ca/owners](http://www.whirlpool.ca/owners)) pour obtenir de l'aide et éviter une intervention de réparation.

Si les problèmes suivants surviennent	Causes possibles	Solution
<b>La laveuse ne fonctionne pas comme prévu (suite)</b>		
La laveuse ne fonctionne pas ou ne se remplit pas ; elle cesse de fonctionner (suite)	La porte de la laveuse n'est pas bien fermée.	La porte doit être fermée lorsque la laveuse est en marche.
	Sur certains modèles : Le distributeur Load & Go™ n'est pas bien placé dans la laveuse.	S'assurer que le distributeur Load & Go™ est bien placé dans la laveuse et que le couvercle du distributeur est correctement fermé.
	La laveuse n'a pas été chargée comme recommandé.	Retirer plusieurs articles et ré-agencer la charge dans le tambour de la laveuse. Fermer la porte, puis toucher et maintenir enfoncé le bouton de MISE EN MARCHE/PAUSE.
		Ne pas ajouter plus d'un ou deux articles supplémentaires après le début du programme afin d'éviter un tassement excessif de la charge ou un déséquilibre.
		Ne pas ajouter d'eau dans la laveuse.
	Détergent HE non utilisé ou utilisation excessive de détergent HE.	Utiliser uniquement un détergent HE. La mousse produite par des détergents ordinaires peut ralentir ou arrêter la laveuse. Toujours mesurer la quantité de détergent et suivre les instructions du détergent en fonction des modalités de nettoyage de la charge.
		Pour éliminer la mousse, annuler le programme. Sélectionner DRAIN & SPIN (vidange et essorage) avec EXTRA RINSE (rinçage supplémentaire). Toucher le bouton de MISE EN MARCHE/PAUSE. Ne pas ajouter de détergent.
S'assurer que le distributeur Load & Go™ est désactivé si une seule dose de détergent est utilisée.		
La porte n'a pas été ouverte entre deux programmes.	Lorsqu'un programme de lavage est terminé, la porte doit être ouverte puis refermée avant qu'un nouveau programme puisse commencer.	
La laveuse ne se vidange/n'essore pas ; les charges restent mouillées	Le tuyau de vidange se prolonge dans le tuyau rigide de rejet à l'égout au-delà de 4,5" (114 mm).	Vérifier que le tuyau de vidange est correctement installé. Utiliser la bride de retenue pour tuyau de vidange et la fixer solidement au tuyau rigide de rejet à l'égout ou à la cuve. Ne pas placer de ruban adhésif sur l'ouverture du système de vidange.
	Le tuyau de vidange est obstrué, ou l'extrémité du tuyau de vidange se trouve à plus de 96" (2,4 m) au-dessus du plancher.	Abaisser le tuyau de vidange si l'extrémité se trouve à plus de 96" (2,4 m) au-dessus du plancher. Retirer toute obstruction du tuyau de vidange. Voir "Exigences concernant l'installation" dans les Instructions d'installation".
	Grille ou bas situé au bout du tuyau de vidange.	Retirer la grille ou le bas du tuyau de drainage.
	Le tuyau de vidange est trop serré dans le tuyau rigide de rejet à l'égout, ou est fixé au tuyau rigide de rejet à l'égout avec du ruban adhésif.	Le tuyau de vidange doit être lâche, mais bien fixé. Ne pas sceller le tuyau de vidange avec du ruban adhésif. Le tuyau a besoin d'une ouverture pour l'air. Voir "Immobilisation du tuyau de vidange" dans les Instructions d'installation.
	Utiliser des programmes comportant une vitesse d'essorage plus lente.	Les programmes avec vitesses d'essorage plus lentes éliminent moins d'eau que les programmes qui comportent des vitesses d'essorage rapides. Utiliser la vitesse d'essorage/ le programme recommandé approprié pour le vêtement.
	La laveuse n'a pas été chargée comme recommandé.	Des vêtements tassés ou une charge déséquilibrée empêchent la laveuse d'essorer correctement, ce qui laisse la charge plus mouillée qu'elle ne devrait l'être. Voir le Guide des programmes pour consulter le volume de charge recommandé pour chaque programme.
	La charge est peut-être déséquilibrée.	Éviter de laver un article seul. Compenser le poids d'un article seul tel qu'un tapis ou une veste en jeans par quelques articles supplémentaires pour équilibrer le tout.

# DÉPANNAGE

Essayer d'abord les solutions suggérées ici ou consulter notre site Web [www.whirlpool.com/owners](http://www.whirlpool.com/owners) (au Canada, [www.whirlpool.ca/owners](http://www.whirlpool.ca/owners)) pour obtenir de l'aide et éviter une intervention de réparation.

Si les problèmes suivants surviennent	Causes possibles	Solution
<b>La laveuse ne fonctionne pas comme prévu (suite)</b>		
La laveuse ne se vidange/n'essore pas ; les charges restent mouillées (suite)	Détergent HE non utilisé ou utilisation excessive de détergent HE.	Utiliser uniquement un détergent HE. Un excès de mousse causé par l'utilisation d'un détergent ordinaire ou d'un surplus de détergent peut ralentir ou arrêter la vidange ou l'essorage. Toujours mesurer le détergent et suivre les instructions du fabricant en fonction de la charge. <a href="http://www.whirlpool.com/owner">www.whirlpool.com/owner</a> DRAIN & SPIN (vidange et essorage) avec EXTRA RINSE (rinçage supplémentaire). Ne pas ajouter de détergent.
	Des petits articles sont peut-être coincés dans la pompe ou entre le tambour et la partie externe de la cuve de la laveuse.	Inspecter le tambour pour vérifier qu'aucun article ne dépasse par les trous du tambour. Vider les poches et utiliser des sacs à linge pour laver les petits articles.
	Il y a trop de vêtements dans la machine pour le programme Wash & Dry (lavage et séchage).	Utiliser le programme Wash & Dry (lavage et séchage) uniquement pour deux à quatre vêtements synthétiques ou tenues de sport légèrement sales.
	Sur certains modèles : Le filtre de la pompe de vidange est sale.	Sur certains modèles : Nettoyer le filtre de la pompe de vidange. Voir la section "Nettoyage du filtre de la pompe de vidange/drainage de l'eau résiduelle."
	Le programme de lavage a été annulé et la porte s'est ouverte avant que l'eau ne soit vidée.	Faire fonctionner le programme Drain & Spin (vidange et essorage) pour éliminer l'eau restée dans la machine.
La laveuse essore les vêtements sans eau	La laveuse mesure la masse de la charge sèche.	Cette mesure est normale et assure la meilleure durée du programme pour la charge.
Porte verrouillée à la fin du programme de lavage	Il reste de l'eau dans la laveuse après le programme.	Sélectionner DRAIN & SPIN (vidange et essorage) pour évacuer toute eau restée dans la laveuse. La porte de la laveuse se déverrouille à la fin de la vidange.
La porte ne se déverrouille pas.	La porte se verrouille une fois que le programme a démarré.	Si le témoin lumineux "Add Garment" (ajouter vêtement), toucher une fois le bouton de MISE EN MARCHE/PAUSE. La porte se déverrouille.
Températures de lavage ou de rinçage incorrectes	Vérifier que l'alimentation en eau est adéquate.	Vérifier que les tuyaux d'arrivée d'eau chaude et d'eau froide ne sont pas inversés.
		Les deux tuyaux doivent être raccordés à la fois à la laveuse et au robinet, et la valve d'arrivée doit recevoir à la fois de l'eau chaude et de l'eau froide.
		Vérifier que les tamis des valves d'arrivée ne sont pas obstrués. Éliminer toute déformation des tuyaux.
	Lavage de plusieurs charges	Le réservoir d'eau chaude n'a peut-être pas suffisamment d'eau chaude à fournir pour le nombre de lavages à l'eau chaude ou tiède requis. Ceci est normal.
L'option ou le réglage souhaité ne s'allume pas	Pour une performance idéale, tous les réglages ne sont pas disponibles sur tous les programmes et certaines options ne peuvent pas être combinées.	Consulter le "Guide des programmes" pour connaître les réglages et options possibles pour chaque programme.
Charge non rincée	Vérifier que l'alimentation en eau est adéquate.	Vérifier que les tuyaux d'arrivée d'eau chaude et d'eau froide ne sont pas inversés.
		Les deux tuyaux doivent être fixés et l'eau doit pénétrer dans les vannes d'arrivée d'eau.
		Les robinets d'eau chaude et d'eau froide doivent être ouverts tous les deux.
		Les tamis des valves d'arrivée d'eau de la laveuse sont peut-être obstrués.
		Éliminer toute déformation des tuyaux d'arrivée d'eau.

# DÉPANNAGE

Essayer d'abord les solutions suggérées ici ou consulter notre site Web [www.whirlpool.com/owners](http://www.whirlpool.com/owners) (au Canada, [www.whirlpool.ca/owners](http://www.whirlpool.ca/owners)) pour obtenir de l'aide et éviter une intervention de réparation.

Si les problèmes suivants surviennent	Causes possibles	Solution
<b>La laveuse ne fonctionne pas comme prévu (suite)</b>		
Charge non rincée (suite)	Détergent HE non utilisé ou utilisation excessive de détergent HE.	La mousse produite par un détergent non HE peut empêcher la laveuse de fonctionner correctement.
		Utiliser uniquement un détergent HE. Toujours mesurer le détergent et suivre les instructions du fabricant en fonction de la taille et du niveau de saleté de la charge.
	La laveuse n'a pas été chargée comme recommandé.	Éviter de tasser le linge dans la laveuse. La laveuse ne rincera pas bien si les vêtements sont tassés. Charger la machine uniquement avec des articles secs. Voir "Guide des programmes" pour consulter le volume de charge recommandé pour chaque programme.
		Utiliser le programme conçu pour les tissus à laver.
	Si l'on souhaite ajouter des vêtements une fois que la laveuse a démarré, n'en rajouter qu'un ou deux.	
	La charge est peut-être déséquilibrée.	En cas de déséquilibre de la charge, un processus de lavage est lancé pour répartir à nouveau la charge. Ceci peut rallonger le programme. Éviter de laver un article seul. Compenser le poids d'un article seul tel qu'un tapis ou une veste en jeans par quelques articles supplémentaires pour équilibrer le tout.
La charge est froissée, entortillée ou enchevêtrée	La laveuse n'a pas été chargée comme recommandé.	Ajouter les vêtements sans les tasser. Les articles doivent pouvoir se déplacer librement pour réduire le froissement et l'emmêlement. Voir "Guide des programmes" pour consulter le volume de charge recommandé pour chaque programme.
		Réduire l'emmêlement en mêlant plusieurs types d'articles dans la charge. Utiliser le programme recommandé correspondant aux types de vêtements à laver.
	L'action de lavage dure trop longtemps pour la charge.	Sélectionner un niveau de saleté plus faible. Noter que les articles ne seront pas nettoyés aussi profondément que lorsqu'un niveau de saleté plus élevé est utilisé.
	La vitesse d'essorage est trop rapide pour la charge.	Sélectionner une vitesse d'essorage plus basse. Notons que les articles seront plus mouillés que si l'on utilise une vitesse d'essorage rapide.
	Les vêtements n'ont pas été retirés rapidement.	Décharger la laveuse dès qu'elle s'arrête ou utiliser l'option FanFresh® si l'on n'est pas en mesure de décharger la laveuse dès la fin du programme.
	Le programme choisi ne correspond pas au programme qui doit être utilisé pour la charge de lavage.	Utiliser le programme Delicates (articles délicats) ou un autre programme avec vitesse d'essorage lente pour réduire le froissement.
	L'eau de lavage n'est pas suffisamment chaude pour réduire le froissement.	Si c'est sans danger pour la charge, utiliser une eau de lavage tiède ou chaude.
Ne nettoie ou ne détache pas	La laveuse n'a pas été chargée comme recommandé.	Ajouter les vêtements sans les tasser. Les articles doivent pouvoir se déplacer librement pour un nettoyage idéal. Voir "Guide des programmes" pour consulter le volume de charge recommandé pour chaque programme.
		Si l'on souhaite ajouter des vêtements une fois que la laveuse a démarré, n'en rajouter qu'un ou deux.
	Détergent HE non utilisé ou utilisation excessive de détergent HE.	Utiliser uniquement un détergent HE. Toujours mesurer le détergent et suivre les instructions du fabricant en fonction de la taille et du niveau de saleté de la charge.
	Eau dure ou niveau élevé de fer (rouille) dans l'eau.	Il faut peut-être installer un adoucisseur d'eau et/ou un filtre à fer.
	Une boule distributrice d'assouplissant de tissu a été utilisée.	Les boules distributrices ne fonctionnent pas correctement avec cette laveuse. Verser un assouplissant de tissu liquide dans le compartiment pour assouplissant de tissu.
	Du détergent en poudre a été utilisé pour le programme à vitesse lente.	Envisager l'utilisation d'un détergent liquide.

# DÉPANNAGE

Essayer d'abord les solutions suggérées ici ou consulter notre site Web [www.whirlpool.com/owners](http://www.whirlpool.com/owners) (au Canada, [www.whirlpool.ca/owners](http://www.whirlpool.ca/owners)) pour obtenir de l'aide et éviter une intervention de réparation.

La laveuse ne fonctionne pas comme prévu (suite)		
Ne nettoie ou ne détache pas (suite)	Programme utilisé incorrect par rapport au type de tissu.	Utiliser un réglage de niveau de saleté plus élevée et une température de lavage plus chaude pour améliorer le nettoyage.
		Si l'on utilise un programme Quick Wash (lavage rapide), ne laver que quelques articles.
		Utiliser les programmes Whites (blancs) et Heavy Duty (service intense) pour un nettoyage puissant.
		Ajouter un rinçage supplémentaire pour les charges très sales.
	Les distributeurs ne sont pas utilisés.	Utiliser les distributeurs pour éviter que l'eau de Javel ou l'assouplissant de tissu ne tachent les vêtements.
		Remplir les distributeurs avant de démarrer un programme.
		Sur certains modèles : S'assurer que le distributeur de détergent liquide Load & Go™ n'est pas vide.
		Éviter de les remplir excessivement.
	La cartouche du distributeur est vide.	Ne pas ajouter de produits autres que ceux spécifiés directement pour le chargement.
		Remplir la cartouche du distributeur jusqu'à la ligne "MAX" avec du détergent liquide HE.
Le distributeur de détergent n'est pas bien en place.	Tirer le distributeur, le remplir de détergent et le réinsérer en le faisant coulisser.	
Les couleurs similaires ne sont pas lavées ensemble.	Laver ensemble les couleurs semblables et les retirer rapidement une fois le programme terminé pour éviter tout transfert de teinture.	
Quantité de détergent utilisée insuffisante ou eau dure.	Utiliser plus de détergent pour laver des articles très sales à l'eau froide ou dure.	
Odeurs	L'entretien mensuel n'est pas effectué comme recommandé.	Faire fonctionner le programme Clean Washer with affresh® (nettoyage de la laveuse avec affresh®) tous les mois ou tous les 30 programmes de lavage. Voir "Entretien de la laveuse" dans la section "Entretien de la laveuse".
		Décharger la laveuse dès que le programme est terminé. Utiliser l'option FanFresh® si l'on ne peut pas retirer immédiatement la charge une fois le lavage terminé.
	Détergent HE non utilisé ou utilisation excessive de détergent HE.	Utiliser uniquement un détergent HE. Veiller à mesurer correctement. Toujours suivre les directives du fabricant.
	La porte n'est pas restée ouverte après utilisation.	Voir la section "Entretien de laveuse". Cette laveuse dispose d'une fermeture étanche pour éviter les fuites d'eau. Pour éviter la formation d'odeurs, laisser la porte ouverte afin de permettre à la laveuse de sécher entre deux utilisations.
Tissu endommagé	Des objets pointus se trouvaient dans les poches au moment du programme de lavage.	Vider les poches, fermer les fermetures à glissière, les boutons-pression et les agrafes avant le lavage pour éviter d'accrocher et de déchirer les vêtements.
	Les cordons et les ceintures se sont peut-être emmêlés.	Attacher tous les cordons et les ceintures avant de démarrer le nettoyage de la charge.
	Les articles étaient peut-être endommagés avant le lavage.	Raccorder les déchirures et reprendre les fils cassés des coutures avant le lavage.
	Les tissus peuvent subir des dommages si l'on tasse le linge dans la laveuse.	Éviter de tasser le linge dans la laveuse. Charger la machine uniquement avec des articles secs.
		Utiliser le programme conçu pour les tissus à laver.
		Si l'on souhaite ajouter des vêtements une fois que la laveuse a démarré, n'en rajouter qu'un ou deux.
	Les tissus peuvent être endommagés si la porte de la laveuse est fermée sur un article, le coinçant entre la porte en verre et le joint en caoutchouc.	Ne pas surcharger la laveuse.
		Pousser entièrement la charge à laver dans la laveuse.
L'eau de Javel n'a peut-être pas été ajoutée correctement.	Ne pas verser d'eau de Javel directement sur la charge. Essuyer tous les renversements d'eau de Javel.	
	De l'eau de Javel non diluée endommagera les tissus. Ne pas utiliser plus que la quantité recommandée par le fabricant.	



# DÉPANNAGE

Essayer d'abord les solutions suggérées ici ou consulter notre site Web [www.whirlpool.com/owners](http://www.whirlpool.com/owners) (au Canada, [www.whirlpool.ca/owners](http://www.whirlpool.ca/owners)) pour obtenir de l'aide et éviter une intervention de réparation.

Si les problèmes suivants surviennent	Causes possibles	Solution
<b>La laveuse ne fonctionne pas comme prévu (suite)</b>		
Blanc grisâtre, couleurs défraîchies	La charge n'a pas été correctement triée.	Le transfert de teinture peut se produire lors du mélange d'articles blancs et de couleur dans une même charge. Séparer les articles de teinte foncée des articles blancs ou clairs.
	Les températures de lavage sont trop basses.	Utiliser les températures chaude ou tiède si celle-ci est sans danger pour la charge. S'assurer que le système d'eau chaude est adéquat pour fournir un lavage à l'eau chaude.
	Quantité de détergent utilisée insuffisante ou eau dure.	Utiliser plus de détergent pour laver des articles très sales à l'eau froide ou dure.
Fonctionnement incorrect du distributeur	Distributeurs obstrués ou produits de lessive distribués trop tôt.	Ne pas remplir excessivement le distributeur. Un remplissage excessif peut entraîner une distribution immédiate.
		Remplir les distributeurs avant de démarrer un programme.
		Pour les domiciles présentant une basse pression d'eau, il est possible qu'il reste de la poudre dans le distributeur. Pour éviter cela, sélectionner une température de lavage plus chaude (si possible - en fonction de la charge).
	L'eau de Javel n'a pas été versée dans le compartiment pour eau de Javel.	Utiliser seulement de l'eau de Javel dans le compartiment pour eau de Javel.
	Il reste de l'eau dans le distributeur une fois le programme terminé.	Il est normal qu'il reste de petites quantités d'eau dans le distributeur une fois le programme terminé.
Le sachet de lessive à dose unique ne se dissout pas	Sachet de lessive mal utilisé.	Veiller à placer le sachet de lessive dans le tambour de la laveuse avant d'ajouter les vêtements. Ne pas placer de sachet dans le distributeur. Suivre les instructions du fabricant pour éviter d'endommager les vêtements.
la durée du programme varie ou la durée du programme est trop longue	Fonctionnement normal de la laveuse.	Les durées de programme varient automatiquement en fonction de la pression et de la température de l'eau, du détergent et de la charge de vêtements. Les options sélectionnées affecteront également les durées du programme.
	Il y a trop de mousse dans la laveuse.	Lorsqu'un excès de mousse est détecté, une procédure spéciale contre la mousse se met en marche automatiquement pour éliminer l'excès de mousse et assurer un rinçage efficace pour les vêtements. Cette procédure prolonge la durée initiale du programme.
	La charge est peut-être déséquilibrée.	En cas de déséquilibre de la charge, un processus de lavage est lancé pour répartir à nouveau la charge. Ceci prolonge la durée du programme. Éviter de laver un article seul. Compenser le poids d'un article seul tel qu'un tapis ou une veste en jeans par quelques articles supplémentaires pour équilibrer le tout.
	Programme utilisé incorrect par rapport au type de tissu.	Le programme Quick Wash (lavage rapide) est conçu pour les plus petites charges (2-4 articles) de vêtements légèrement sales. Si on lave des charges plus importantes avec ce programme, la durée du programme sera plus longue.  Les programmes Quick Wash (lavage rapide) ou Delicates (articles délicats) doivent être utilisés pour des charges de petite taille. Ceci garantit un lavage en douceur des vêtements sans pour autant prolonger le programme.
Les commandes ne répondent pas	Le verrouillage des commandes est activé.	Pour désactiver le verrouillage des commandes, maintenir CONTROL LOCK enfoncé pendant 3 secondes. Pour chaque seconde que le bouton Control Lock est appuyé, l'affichage effectue le compte à rebours de 1 seconde et indique d'abord "3", ensuite "2" et enfin "1".

# DÉPANNAGE

Essayer d'abord les solutions suggérées ici ou consulter notre site Web [www.whirlpool.com/owners](http://www.whirlpool.com/owners) (au Canada, [www.whirlpool.ca/owners](http://www.whirlpool.ca/owners)) pour obtenir de l'aide et éviter une intervention de réparation.

Si les problèmes suivants surviennent	Causes possibles	Solution
<b>Résultats de séchage</b>		
Les vêtements ne séchent pas de manière satisfaisante ou le temps de séchage est trop long	La charge est trop grosse et trop lourde pour sécher rapidement.	Séparer la charge pour qu'elle culbute librement. Remplir le tambour un quart ou moins améliorera le rendement de séchage et réduira la durée du programme. Faire fonctionner un programme d'essorage à grande vitesse.
Charpie sur la charge	La zone sous le joint de la porte est obstruée par de la charpie.	Retirer doucement le joint de porte en caoutchouc et nettoyer la charpie avec le côté texturé d'une lingette de nettoyage pour laveuse affresh®.
	Sur certains modèles : Le filtre de la pompe de vidange est obstrué par de la charpie.	Sur certains modèles : Nettoyer le filtre de la pompe de vidange. Voir la section "Nettoyage du filtre de la pompe de vidange/ drainage de l'eau résiduelle." La procédure devrait être effectuée de temps en temps.
Les charges séchées sont froissées	La charge n'a pas été retirée de la laveuse à la fin du programme séchage.	Retirer immédiatement les vêtements à la fin du programme de séchage ou utiliser l'option FanFresh®.
	Les vêtements sont tassés dans la laveuse.	Faire sécher de plus petites charges qui peuvent culbiter librement. Remplir le tambour un quart ou moins améliorera le rendement de séchage et réduira la durée du programme. Les résultats peuvent varier selon le type de tissu.
Charge trop chaude	La charge a été retirée avant que la portion de refroidissement du programme ne soit terminée.	Laisser le programme de séchage terminer la portion de refroidissement du programme avant d'enlever la charge. La charge sera très chaude si le programme est annulé et que la charge est retirée avant la portion de refroidissement.

# GARANTIE DES APPAREILS DE BUANDERIE WHIRLPOOL®

ATTACHEZ ICI VOTRE REÇU DE VENTE. UNE PREUVE D'ACHAT EST OBLIGATOIRE POUR OBTENIR L'APPLICATION DE LA GARANTIE.

Lorsque vous appelez le centre d'eXpérience de la clientèle, veuillez garder à disposition les renseignements suivants :

- Nom, adresse et numéro de téléphone
- Numéros de modèle et de série
- Une description claire et détaillée du problème rencontré
- Une preuve d'achat incluant le nom et l'adresse du marchand ou du détaillant

## SI VOUS AVEZ BESOIN DE SERVICE :

1. Avant de nous contacter pour obtenir un dépannage, veuillez déterminer si des réparations sont nécessaires pour votre produit. Certains problèmes peuvent être résolus sans intervention de dépannage. Prenez quelques minutes pour parcourir la section Dépannage du guide d'utilisation et d'entretien ou rendez-vous sur le site [https://www.whirlpool.ca/fr\\_ca/owners.html](https://www.whirlpool.ca/fr_ca/owners.html).
2. Tout service sous garantie doit être effectué exclusivement par nos fournisseurs de dépannage autorisés Whirlpool. Aux É.-U. et au Canada, dirigez toutes vos demandes de service sous garantie au :

### Centre d'eXpérience de la clientèle Whirlpool

**Aux É.-U., composer le 1-866-698-2538. Au Canada, composer le 1-800-807-6777.**

Si vous résidez à l'extérieur du Canada et des 50 États des États-Unis, contactez votre marchand Whirlpool autorisé pour déterminer si une autre garantie s'applique.

## GARANTIE LIMITÉE D'UN AN

### CE QUI EST COUVERT

Pendant un an à compter de la date d'achat, lorsque ce gros appareil ménager est installé, utilisé et entretenu conformément aux instructions jointes à ou fournies avec le produit, Whirlpool Corporation ou Whirlpool Canada LP (ci-après désignées "Whirlpool") décidera à sa seule discrétion de remplacer le produit ou de couvrir le coût des pièces de remplacement spécifiées par l'usine et de la main-d'œuvre nécessaires pour corriger les vices de matériaux ou de fabrication qui existaient déjà lorsque ce gros appareil ménager a été acheté. S'il est remplacé, votre appareil restera sous garantie pour la durée restant à courir de la période de garantie sur le produit d'origine.

LE SEUL ET EXCLUSIF RECOURS DU CLIENT DANS LE CADRE DE LA PRÉSENTE GARANTIE LIMITÉE CONSISTE EN LA RÉPARATION PRÉVUE CI-DESSUS. Le service doit être fourni par une compagnie de service désignée par Whirlpool. Cette garantie limitée est valide uniquement aux États-Unis ou au Canada et s'applique exclusivement lorsque le gros appareil ménager est utilisé dans le pays où il a été acheté. La présente garantie limitée entre en vigueur à compter de la date d'achat initial par le consommateur. Une preuve de la date d'achat d'origine est exigée pour obtenir un service dans le cadre de la présente garantie limitée.

### CE QUI N'EST PAS COUVERT

1. Usage commercial, non résidentiel ou par plusieurs familles, ou non-respect des instructions de l'utilisateur, de l'opérateur ou des instructions d'installation.
2. Visite d'instruction à domicile pour montrer à l'utilisateur comment utiliser l'appareil.
3. Visites de service pour rectifier une installation ou un entretien fautifs du produit, une installation non conforme aux codes d'électricité ou de plomberie, ou la rectification de l'installation électrique ou de la plomberie du domicile (ex : câblage électrique, fusibles ou tuyaux d'arrivée d'eau du domicile).
4. Pièces consommables (ex : ampoules, batteries, filtres à air ou à eau, solutions de conservation).
5. Défauts ou dommage résultant de l'utilisation de pièces ou accessoires Whirlpool non authentiques.
6. Conversion de votre produit du gaz naturel ou du gaz propane, ou inversion des portes de l'appareil.
7. Dommages causés par : accident, mésusage, abus, incendie, inondations, catastrophe naturelle ou l'utilisation de produits non approuvés par Whirlpool.
8. Réparations aux pièces ou systèmes dans le but de rectifier un dommage ou des défauts résultant d'une réparation, d'une altération ou d'une modification non autorisée de l'appareil.
9. Défauts d'apparence, notamment les éraflures, traces de choc, fissures ou tout autre dommage subi par le fini de l'appareil ménager, à moins que ces dommages ne résultent de vices de matériaux ou de fabrication et ne soient signalés à Whirlpool dans les 30 jours.
10. Décoloration, rouille ou oxydation des surfaces résultant d'environnements caustiques ou corrosifs incluant des concentrations élevées de sel, un haut degré d'humidité ou une exposition à des produits chimiques (exemples non exhaustifs).
11. Enlèvement ou livraison. Ce produit est conçu pour être réparé à l'intérieur du domicile.
12. Frais de déplacement et de transport pour le dépannage/la réparation dans une région éloignée où une compagnie de service Whirlpool autorisée n'est pas disponible.
13. Retrait ou réinstallation d'appareils inaccessibles ou de dispositifs préinstallés (ex : garnitures, panneaux décoratifs, plancher, meubles, îlots de cuisine, plans de travail, panneaux de gypse) qui entravent le dépannage, le retrait ou le remplacement du produit.
14. Service et pièces pour des appareils dont les numéros de série et de modèle originaux ont été enlevés, modifiés ou ne peuvent pas être facilement identifiés.

**Le coût d'une réparation ou d'un remplacement dans le cadre de ces circonstances exclues est à la charge du client.**

---

**CLAUSE D'EXONÉRATION DE RESPONSABILITÉ AU TITRE DES GARANTIES IMPLICITES**

LES GARANTIES IMPLICITES, Y COMPRIS LES GARANTIES APPLICABLES DE QUALITÉ MARCHANDE OU D'APTITUDE À UN USAGE PARTICULIER, SONT LIMITÉES À UN AN OU À LA PLUS COURTE PÉRIODE AUTORISÉE PAR LA LOI. Certains États et certaines provinces ne permettent pas de limitation sur la durée de garanties implicites de qualité marchande ou d'aptitude à un usage particulier, de sorte que la limitation ci-dessus peut ne pas être applicable dans votre cas. Cette garantie vous confère des droits juridiques spécifiques, et vous pouvez également jouir d'autres droits qui peuvent varier d'une juridiction à l'autre.

---

**EXONÉRATION DE RESPONSABILITÉ EN DEHORS DE LA GARANTIE**

Whirlpool ne prend aucun engagement quant à la qualité ou la durabilité de l'appareil, ou en cas de dépannage ou de réparation nécessaire sur ce gros appareil ménager, autre que les engagements énoncés dans la présente garantie. Si vous souhaitez une garantie prolongée ou plus complète que la garantie limitée fournie avec ce gros appareil ménager, renseignez-vous auprès de Whirlpool ou de votre détaillant à propos de l'achat d'une extension de garantie.

---

**LIMITATION DES RECOURS; EXCLUSION DES DOMMAGES FORTUITS OU INDIRECTS**

LE SEUL ET EXCLUSIF RECOURS DU CLIENT DANS LE CADRE DE LA PRÉSENTE GARANTIE LIMITÉE CONSISTE EN LA RÉPARATION PRÉVUE CI-DESSUS. WHIRLPOOL N'ASSUME AUCUNE RESPONSABILITÉ POUR LES DOMMAGES FORTUITS OU INDIRECTS. Certains États et certaines provinces ne permettent pas l'exclusion ou la limitation des dommages fortuits ou indirects de sorte que ces limitations et exclusions peuvent ne pas être applicables dans votre cas. Cette garantie vous confère des droits juridiques spécifiques, et vous pouvez également jouir d'autres droits qui peuvent varier d'une juridiction à l'autre.

---

10/17

# NOTES

# NOTES

## Assistance or Service

Before calling for assistance or service, please check "Troubleshooting" or visit [www.whirlpool.com/owners](http://www.whirlpool.com/owners). It may save you the cost of a service call. If you still need help, follow the instructions below.

When calling, please know the purchase date and the complete model and serial number of your appliance. This information will help us to better respond to your request.

### If you need replacement parts or to order accessories

We recommend that you use only FSP® Factory Specified Parts. These parts will fit right and work right because they are made with the same precision used to build every new WHIRLPOOL® appliance.

**To locate FSP® replacement parts or accessories, go to [www.whirlpoolparts.com](http://www.whirlpoolparts.com).**

Questions? Call us toll free at **1-866-698-2538** or in Canada call **1-800-688-2002**.

### Our consultants provide assistance with

#### In the U.S.A.

- Features and specifications on our full line of appliances.
- Installation information.
- Specialized customer assistance (Spanish speaking, hearing impaired, limited vision, etc.).

#### In the U.S.A. and Canada

- Use and maintenance procedures.
- Accessory and repair parts sales.
- Referrals to local dealers, repair parts distributors, and service companies. Whirlpool designated service technicians are trained to fulfill the product warranty and provide after-warranty service, anywhere in the United States and Canada.

You can write with any questions or concerns at:

Whirlpool Brand Appliances  
Customer eXperience Center  
553 Benson Road  
Benton Harbor, MI 49022-2692  
1-866-698-2538

Whirlpool Brand Appliances  
Customer eXperience Centre  
Unit 200-6750 Century Ave  
Mississauga, Ontario L5N 0B7  
1-800-688-2002

Please include a daytime phone number in your correspondence.

## Assistance ou Service

Avant de faire un appel pour obtenir de l'assistance ou un entretien, vérifier la section "Dépannage" ou consulter [www.whirlpool.ca/owners](http://www.whirlpool.ca/owners). Cette vérification peut vous faire économiser le coût d'une visite de réparation.

Si vous avez encore besoin d'aide, suivre les instructions ci-dessous.

Lors d'un appel, garder à portée de main la date d'achat et les numéros de modèle et de série de votre appareil. Ces renseignements nous aideront à mieux répondre à votre demande.

### Pour commander des pièces de rechange ou des accessoires

Pour commander des pièces de rechange, nous vous recommandons d'utiliser seulement des pièces spécifiées par l'usine. Ces pièces conviendront et fonctionneront bien parce qu'elles sont fabriquées selon les mêmes spécifications précises utilisées pour construire chaque nouvel appareil WHIRLPOOL®.

**Pour trouver des pièces de rechange FSP® ou des accessoires, visiter le [www.whirlpool.ca](http://www.whirlpool.ca).**

Des questions? Composer le numéro sans frais **1-800-688-2002**.

### Nos consultants fournissent l'assistance pour :

- Procédés d'utilisation et d'entretien.
- Vente d'accessoires et de pièces de rechange.
- Références aux concessionnaires, compagnies de service de réparation et distributeurs de pièces de rechange locaux. Les techniciens de service désignés par Whirlpool sont formés pour remplir la garantie des produits et fournir un service après la garantie, partout au Canada.

### Pour plus d'assistance

Vous pouvez nous soumettre toute question ou tout problème en écrivant à l'adresse ci-dessous :

Whirlpool Brand Appliances  
Centre pour l'eXpérience de la clientèle  
Unit 200-6750 Century Ave  
Mississauga, Ontario L5N 0B7  
1-800-688-2002

Dans votre correspondance, veuillez indiquer un numéro de téléphone où nous pouvons vous joindre dans la journée.