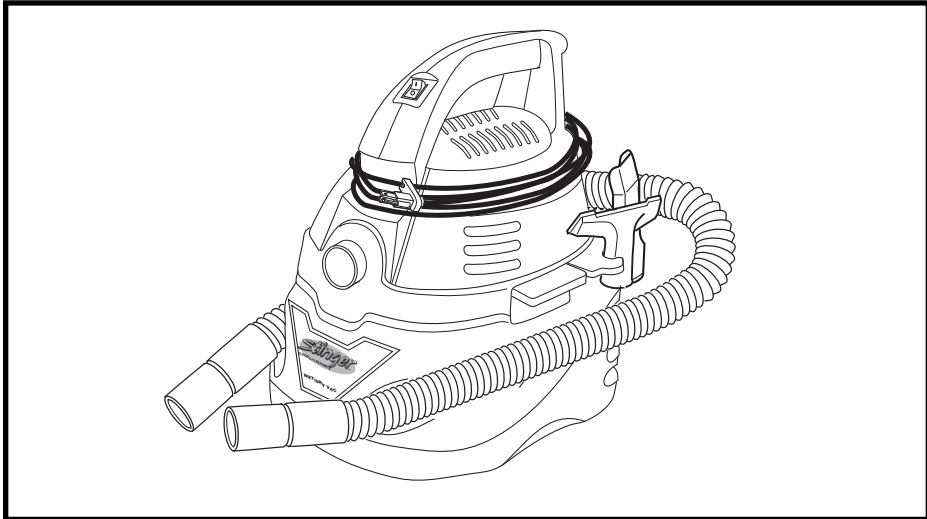


stinger™

WET/DRY VAC 2.5 GAL/9.5 LITRE



OWNERS MANUAL

WD20250

- **Assembly**
- **Operation**

QUESTIONS OR COMMENTS?
CALL: 1-800-474-3443

For Your Safety:
Read All Instructions Carefully

Table of Contents

Section	Page	Section	Page
Important Safety Instructions	2	Vacuuming Liquids	8
Save This Manual	3	Emptying the Dust Drum	9
Introduction	4	Blowing Feature	9
Checking Carton Contents	4	Maintenance	10
Getting to Know Your Vac	5	Filter	10
Cord Storage	5	Easy to Replace Filter	10
Hose Storage	5	Installation	10
Grounding Instructions	6	Cleaning	11
Operation	7	Storage	11
Vacuuming Dry Materials	8	Troubleshooting	11
		Replacement Filter	11

IMPORTANT SAFETY INSTRUCTIONS

Safety is a combination of common sense, staying alert, and knowing how your Wet/Dry vacuum cleaner (“Vac”) works.

Safety Signal Words

▲ DANGER: Indicates an imminently hazardous situation which, if not avoided, **will** result in death or serious injury.

▲ WARNING: Indicates a potentially hazardous situation which, if not avoided, **could** result in death or serious injury.

▲ CAUTION: Indicates a potentially hazardous situation which, if not avoided, **may** result in minor or moderate injury, or property damage.

When using your Vac, always follow basic safety precautions including the following:

▲ WARNING - To reduce the risk of fire, electric shock, or injury:

- Read and understand this manual and all labels on the Vac before operating.
- Use only as described in this manual.
- Do not leave Vac running while unattended - you may fail to notice important signs indicating abnormal operation such as loss of suction, debris/liquid exiting exhaust, or abnormal motor noises. Immediately stop using Vac if you notice these signs.
- Do not leave Vac when plugged in. Unplug from outlet when not in use and before servicing.

- Sparks inside the motor can ignite flammable vapors or dust. To reduce the risk of fire or explosion, do not vacuum or use near flammable or combustible liquids, gases, or dusts, such as gasoline or other fuels, lighter fluid, cleaners, oil-based paints, natural gas, coal dust, magnesium dust, grain dust, aluminum dust, or gun powder.
- Do not vacuum anything that is burning or smoking, such as cigarettes, matches, or hot ashes.
- Do not vacuum drywall dust, cold fireplace ash, or other fine dusts, which may pass through the filter bag and be exhausted back into the air.
- To reduce the risk of inhaling toxic vapors, do not vacuum or use near toxic or hazardous materials.
- To reduce the risk of electric shock, do not expose to rain or allow liquid to enter motor compartment. Store indoors.
- Do not allow to be used as a toy. Close attention is necessary when used by or near children.
- Do not use with a torn filter or without the filter installed except when vacuuming liquids as described in this manual. Dry debris ingested by the impeller may damage the motor or be exhausted back into the air.

- Turn off Vac before unplugging.
 - To reduce the risk of injury from accidental starting, unplug power cord before changing or cleaning filter.
 - Do not unplug by pulling on cord. To unplug, grasp the plug, not the cord.
 - Do not use with damaged cord, plug or other parts. If your Vac is not working as it should, has missing parts, has been dropped, damaged, left outdoors, or dropped into water, call customer service.
 - Do not pull or carry by cord, use cord as handle, close a door on cord, or pull cord around sharp edges or corners. Do not run Vac over cord. Keep cord away from heated surfaces.
 - Do not handle plug, switch, or the Vac with wet hands.
 - Use only extension cords that are rated for outdoor use and have a grounding conductor. Extension cords in poor condition or too small in wire size can pose fire and shock hazards. To reduce the risk of these hazards, be sure the cord is in good condition and that the liquid does not contact the connection. Do not use an extension cord with conductors smaller than 16 gauge (AWG) in size. To reduce power loss, use a 14 gauge extension cord if 25 to 50 ft. long and 12 gauge for 50 ft. or longer.
 - Connect only to a properly-grounded outlet. See grounding instructions.
 - Do not put any object into ventilation openings. Do not vacuum with any ventilation openings blocked; keep free of dust, lint, hair or anything that may reduce air flow.
 - Keep hair, loose clothing, fingers, and all parts of body away from openings and moving parts.
 - To reduce the risk of falls, use extra care when cleaning on stairs.
 - To reduce the risk of personal injury or damage to Vac, use only Stinger recommended accessories.
 - When using as a blower:
 - Direct air discharge only at work area.
 - Do not direct air at bystanders.
 - Keep children away when blowing.
 - Do not use blower for any job except blowing dirt and debris.
 - Do not use as a sprayer.
 - Wear safety eyewear.
 - To reduce the risk of eye injury, wear safety eyewear. The operation of any utility Vac or blower can result in foreign objects being blown into the eyes, which can result in severe eye damage.
-
- ▲ CAUTION:**
- To reduce the risk of hearing damage, wear ear protectors when using for extended time or in a noisy area.
 - For dusty operations, wear dust mask.
 - Static shocks are common when the relative humidity of the air is low. Vacuuming fine debris with your Vac can deposit static charge on the hose or Vac. To reduce the frequency of static shocks in your home or when using this Vac, add moisture to the air with a humidifier.
-
- Observe the following warning that appears on the motor housing of your Vac:
- ▲ WARNING: To reduce the risk of electric shock - do not expose to rain - store indoors.**

For your own safety, read and understand owner's manual. Do not run unattended. Do not pick up hot ashes, coals, toxic, flammable or other hazardous materials. Do not use around explosive liquids or vapors.

SAVE THIS MANUAL

Introduction

This Vac is intended for household use. It may be used for light vacuuming of wet or dry media and may also be used as a blower. The light weight design allows usage for most small household

vacuuming chores. Familiarize yourself with the following product features and read the entire owner's manual for specific usage of your new Wet/Dry Vac.

Checking Carton Contents

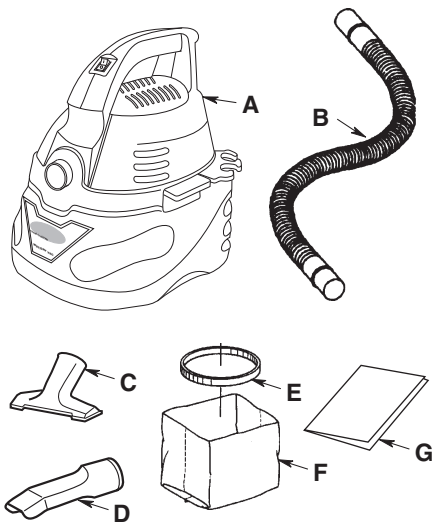
Remove entire contents of carton. Check each item against the Carton Contents List. Contact 1-800-474-3443 if any parts are damaged or missing.

Carton Contents Lists

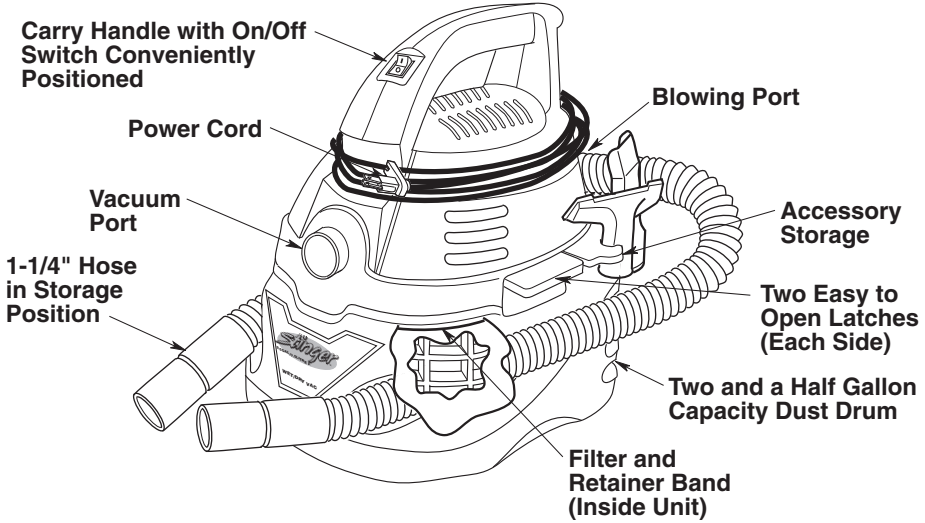
Key	Description	Qty.
A	Vac	1
B	Hose.....	1
C	Car Nozzle	1
D	Utility Nozzle	1
E	*Retainer Band	1
F	*Filter.....	1
G	Owner's Manual	1

* Replacement filters and retainer band (already assembled)

Replacement filters are sold by Stock No. VF2000. They are available where you purchased your Stinger Vac.



Getting to Know Your Vac



Cord Storage

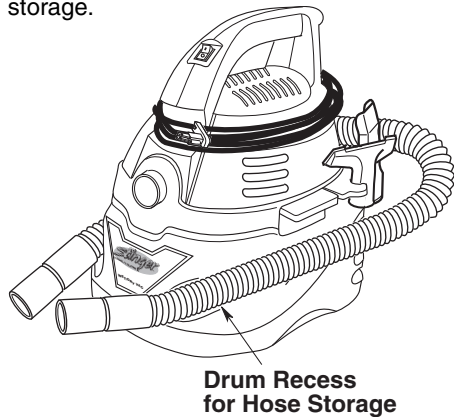
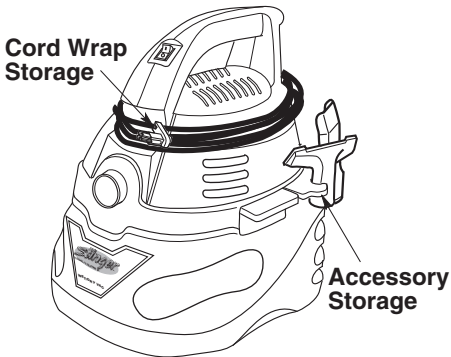
1. Your Wet/Dry Vac has a convenient area to store your power cord while not in use.
2. Coil the power cord around the handle in the recesses provided in the power head assembly.

Hose Storage

Drum has recesses on each side for hose storage.

Accessory Storage

Accessory storage is provided on the rear of the unit. Clip the accessory into the bracket from the side as shown.

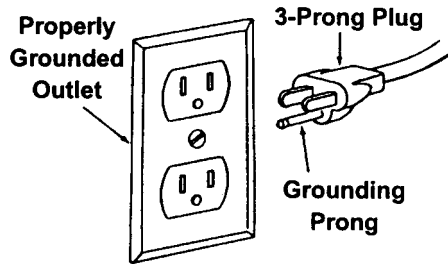


Grounding Instructions

This appliance must be grounded. If it should malfunction or break down, grounding provides a path of least resistance for electric current to reduce the risk of electric shock. This appliance is equipped with a cord having an equipment-grounding conductor and grounding plug. The plug must be inserted into an appropriate outlet that is properly installed and grounded in accordance with all local codes and ordinances.

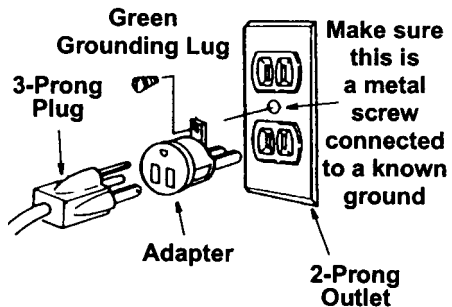
⚠️ WARNING:

Improper connection of the equipment grounding conductor can result in a risk of electric shock. Check with a qualified electrician or service person if you are in doubt as to whether the outlet is properly grounded. Do not modify the plug provided with the appliance - if it will not fit the outlet, have a proper outlet installed by a qualified electrician.



This appliance is for use on a nominal 120 volt circuit, and has a grounded plug that looks like the plug shown. A temporary adaptor that looks like the adaptor shown may be used to connect this plug to a 2-pole receptacle, as shown. If a properly grounded outlet is not available, the temporary adaptor should be used only until a properly grounded outlet can be installed by a qualified electrician. The green colored rigid ear, lug or the like extending from the adaptor must be connected to a permanent ground such as a properly grounded outlet box cover. Whenever the adaptor is used, it must be held in place by a metal screw.

NOTE: In Canada, the use of a temporary adaptor is not permitted by the Canadian Electrical Code.



Operation

▲ WARNING: To reduce the risk of fire, explosion, or damage to Vac:

- Do not leave Vac running while unattended - you may fail to notice important signs indicating abnormal operation such as loss of suction, debris/liquid exiting exhaust, or abnormal motor noises. Immediately stop using Vac if you notice these signs.
- Do not leave Vac plugged-in when not in use.
- Do not continue running when float has cut off suction.
- Do not operate Vac in areas with flammable gases, vapors or explosive dust in the air. Sparks inside the motor can ignite airborne flammables. Flammable gases and vapors include: lighter fluid, solvent-type cleaners, oil-based paints, gasoline, alcohol, or aerosol sprays. Flammable dusts include: coal, magnesium, aluminum, grain, or gun powder.
- Do not vacuum up explosive dusts, flammable liquids, or hot ashes.
- Do not use Vac as a sprayer.

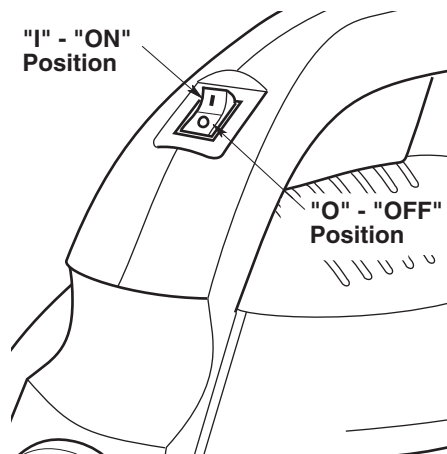
▲ WARNING: To reduce the risk of electric shock or injury:

- Do not expose to rain or allow liquid to enter the motor compartment. Store indoors.
- Do not handle plug, switch, or Vac with wet hands.
- Do not service Vac while it is plugged-in. If your Vac is not working as it should, has missing parts, has been dropped, damaged, left outdoors, or dropped into water, return it to an independent service center or call customer service.
- When using an extension cord, use only outdoor-rated cords that are in good condition. Do not allow the connection to come into contact with liquid.
- Do not vacuum toxic materials to reduce the risk of inhaling the vapors or dust.

Your two and a half-gallon Wet/Dry Vac is assembled at the factory and ready for use when you remove it from the carton. The unit is ready for dry vacuuming or blowing.

After you plug the power cord into the outlet, turn the unit on by pushing the switch from position "O" to position "I". The symbols used on the switch actuator are international "On & Off" symbols:

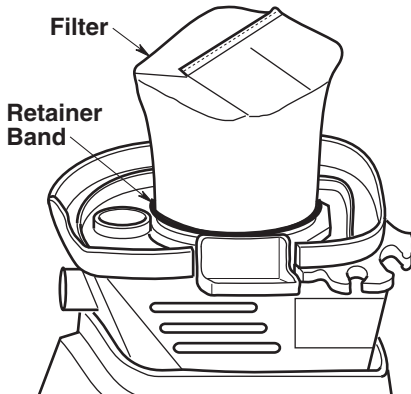
○ = OFF | = ON



Operation (continued)

Vacuating Dry Materials

1. The filter must always be in correct position to reduce the risk of leaks and possible damage to Vac. Make sure that the filter is completely covering the filter cage and that the retainer band is as close to the lid as possible. Make sure there are no gaps between the filter and the lid. (See illustration). **It is very important to assemble the filter to the cage without allowing any possible leaks or tears. Any leaks will allow the picked up media to be blown out of the blower port and back into the surrounding environment.**



2. To maintain peak performance of your Vac when picking up small debris such as sawdust, it may be helpful to empty the dust drum and clean or replace the filter at more frequent intervals.

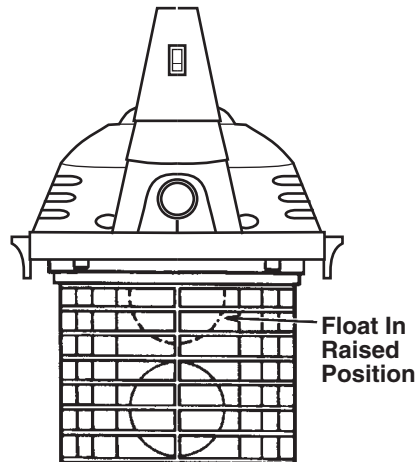
NOTE: The filter should be dry to pick up dry material. If you use your Vac to pick up dry debris when the filter is wet, the filter will clog quickly and be very difficult to clean. In case the filter gets wet, replace it before continuing dry pickup.

Vacuating Liquids

1. Removal of the filter is highly recommended for wet pickups.
2. This Wet/Dry Vac is equipped with a float mechanism which will rise automatically to cut off the airflow when the liquid in the drum reaches a predetermined level. When this happens, turn off Vac, unplug the power cord, and empty the dust drum. You will know that the float has shut the airflow off because the suction ceases and the motor noise becomes higher in pitch, due to increased motor speed. The liquid capacity may vary with the rate of pickup.
3. Be sure to replace filter after wet pickup. Never pick up dry debris without the filter properly installed.

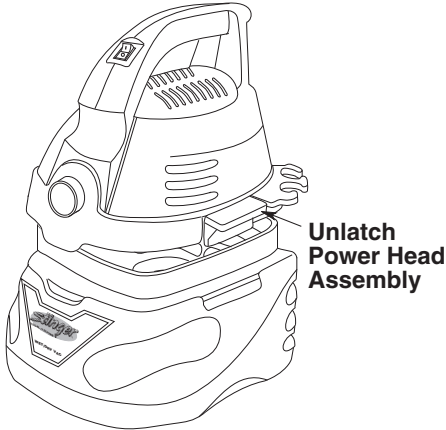
IMPORTANT: To reduce the risk of damage to the Vac, do not run motor with float in raised position.

▲ WARNING: Never leave Vac running while unattended.

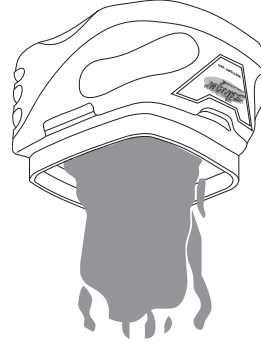


Emptying the Drum

▲ WARNING: To reduce the risk of injury from accidental starting, unplug power cord before emptying the drum.



1. Place Vac squarely on a stable surface, such as ground, floor, bench, etc.
2. Remove the power head assembly of the Wet/Dry Vac by pulling outward on the latches located on each side of the Vac. Lift off the power head assembly.
3. Dump the drum contents into the proper waste disposal container.



Blowing Feature

Your Vac contains a blowing feature. It has the capability to blow sawdust and other debris. It is excellent to use to blow dust and debris out of garages or off patios and driveways. Follow the steps below to use your Vac as a blower.

1. Locate blowing port of your Vac.
2. Insert one end of the 4 foot x 1-1/4 inch hose into the blowing port.
4. Turn Vac "ON" and you are ready to use your Vac as a blower.

▲ WARNING: Always wear safety goggles complying with ANSI Z87.1 (or in Canada CSA Z94.3) when using as a blower.

▲ WARNING: To avoid injury to bystanders, keep them clear of blowing debris.

▲ CAUTION: Wear a dust mask if blowing creates dust which might be inhaled.

▲ CAUTION: To reduce the risk of hearing damage, wear ear protectors when using the Vac/Blower for extended time or in a noisy area.

Maintenance

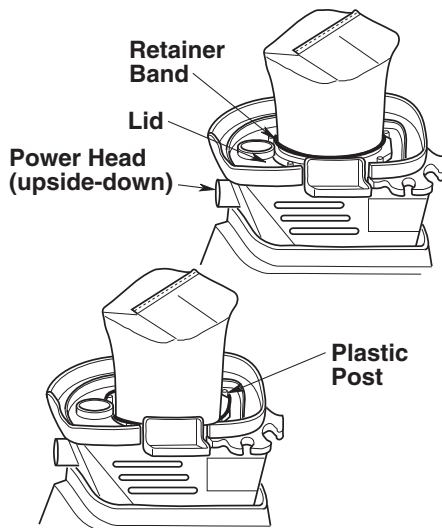
Filter

Your filter should be cleaned often to maintain peak Vac performance.

NOTE: The filter is made of high quality material designed to stop small particles such as sawdust. Handle the filter carefully when removing to clean or installing a new filter. Do not tear the filter during removal or installation if your intent is to reuse the filter.

Easy to Replace Filter

1. Extend the retainer band around the plastic posts on the lid.
2. Remove filter bag off the filter cage.
3. Place the replacement filter on the filter cage until open end touches bottom of lid.
4. Release the retainer band from the plastic post on the lid, holding the filter bag secure to the lid.
5. Make sure the retainer band is positioned on the filter bag covering the black printed line.



IMPORTANT: To avoid damage to the blower wheel and motor, always reinstall the filter before using the Vac for dry material pick-up.

Take the dirty filter to a disposal container and gently brush away small dirt particles that may be adhering to the filter material.

IMPORTANT: After cleaning, check the filter for tears or small holes. Do not use a filter with holes or tears in it. Even a small hole can allow a lot of dust to come out of your Vac. Replace it immediately.

Installation

Before installing the filter on the Vac, clean the area of the lid so that the retainer band will seal the bag against the lid and stop small particles from bypassing the filter bag.

If the filter is clean and not damaged, replace it on the filter cage. If it cannot be reused, place a new filter over the filter cage.

Replace the retainer band around the filter. Make sure the retainer band is positioned on the filter, and the filter completely covers the filter cage. Also, make sure the edges of the filter are completely secured under the retainer band.

NOTE: Clean the filter in an open area. Cleaning should be done outdoors and not in the living quarters.

▲ WARNING: Do not remove the filter cage and float. The float prevents liquid from entering the impeller and damaging the motor. The cage prevents fingers from touching the moving impeller.

Cleaning

To keep your Wet/Dry Vac looking its best, clean the outside with a cloth dampened with warm water and mild soap.

To clean the drum:

1. Dump debris out.
2. Wash drum thoroughly with warm water and mild soap.
3. Wipe out with dry cloth.

Storage

Before storing your Vac, the dust drum should be emptied and cleaned. The cord should be wrapped around the unit and the hose should be stored as described in the cord/hose storage section in this manual. Accessories should be kept in the same area as the Vac so they can be readily available. The Vac should be stored indoors.

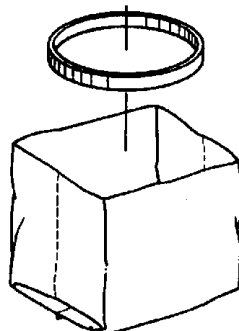
Troubleshooting

Problem	Cause	Remedy
Vac will not pick up dirt	<ol style="list-style-type: none"> 1. Clogged filter 2. Clogged hose 3. Air leak 	<ol style="list-style-type: none"> 1. Clean or replace filter (follow instructions on page 10) 2. Remove hose and clear debris. 3. Make sure power head is securely attached to dust drum.
Vac will not run	<ol style="list-style-type: none"> 1. No electricity 	<ol style="list-style-type: none"> 1. Make sure electrical outlet has voltage. (A qualified electrician may need to be contacted).

▲ WARNING: If any of the power head assembly parts should become detached or broken, exposing motor or any other electrical components, operation should be discontinued immediately to avoid personal injury or further damage to the vacuum. This vacuum has no user serviceable parts.

Replacement Filter

Replacement filters are available where you purchased your Vac. The stock number is VF2000.





Model Number: WD20250

Full One Year Warranty

If within one year from the date of purchase, this Wet/Dry Vac fails due to a defect in material or workmanship, Emerson will repair or replace it free of charge. This warranty does not cover filters, which are considered customer replaceable parts.

This product is not intended for commercial use.

Warranty service is available by simply contacting Emerson.

Do not return product to the store.

This warranty applies only to products purchased in the United State and Canada.

This warranty gives you specific legal rights, and it is possible that you may have other rights that may vary in the country (state or province) where you are situated.

Emerson
8100 West Florissant
St. Louis, MO 63136

Stock No. WD2025

Model No. WD20250

Model and serial number may be found on the left side of Vac top. You should record both model and serial number in a safe place for future use.

**QUESTIONS OR COMMENTS?
CALL: 1-800-474-3443**



EMERSON™

Professional Tools

Emerson Tool Company

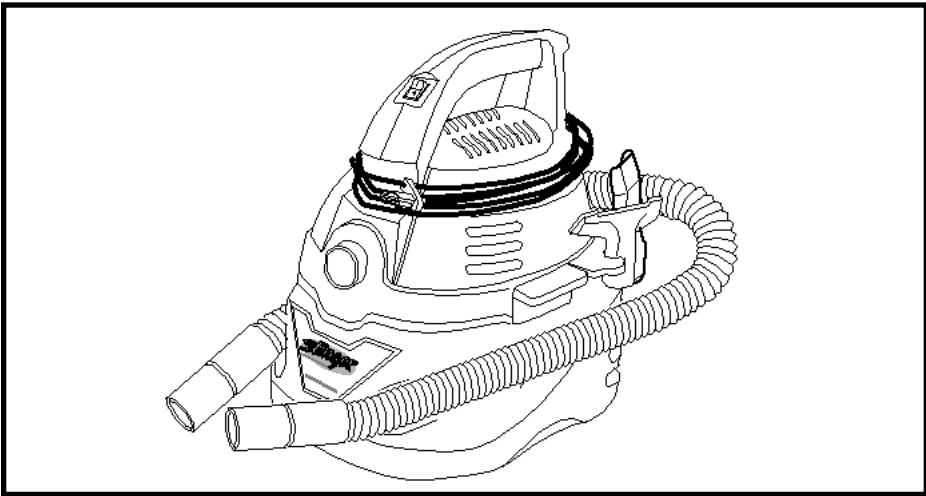
A Division Of

Emerson Electric Co.

© 2010 Emerson

stinger™

WET/DRY VAC **2.5 GAL/9.5 LITRE**
ASPIRADORA PARA MOJADO/SECO **2.5 GAL. / 9.5 LITROS**



MANUAL DEL USUARIO

WD2025

- **Ensamblaje**
- **Funcionamiento**

¿PREGUNTAS O COMENTARIOS?

LLAME AL 1-800-474-3443

Para su seguridad:
Lea detenidamente todas las instrucciones

Índice

Sección	Página	Sección	Página
Instrucciones de seguridad importantes	14	Recogida de líquidos con la aspiradora	20
Guarde este manual	15	Vaciado del tambor para polvo	21
Introducción	16	Dispositivo de soplado	21
Comprobación del contenido		Mantenimiento	22
de la caja de cartón	16	Filtro	22
Familiarización con la aspiradora	17	Filtro fácil de reemplazar	22
Almacenamiento del cordón	17	Instalación	22
Almacenamiento de la manguera	17	Limpieza	23
Instrucciones de conexión a tierra	18	Almacenamiento	23
Funcionamiento	19	Localización y resolución de problemas	23
Recogida de materiales secos		Filtro de repuesto	23
con la aspiradora	20		

INSTRUCCIONES DE SEGURIDAD IMPORTANTES

La seguridad es una combinación de sentido común, permanecer alerta y saber cómo funciona la aspiradora para mojado/seco (“la aspiradora”).

Palabras de señal de seguridad

▲ PELIGRO: indica una situación inminentemente peligrosa que, si no se evita, **causará** la muerte o lesiones graves

▲ ADVERTENCIA: indica una situación potencialmente peligrosa que, si no se evita, **podría** causar la muerte o lesiones graves

▲ PRECAUCIÓN: indica una situación potencialmente peligrosa que, si no se evita, **podría** causar lesiones leves o moderadas.

Cuando utilice la aspiradora para mojado/seco, siga siempre las precauciones básicas de seguridad, incluyendo las siguientes.

▲ ADVERTENCIA – Para reducir el riesgo de incendio, sacudidas eléctricas o lesiones:

- Lea y entienda este manual del usuario y todas las etiquetas que están colocadas en la aspiradora para mojado/seco antes de utilizarla.
- Utilice la aspiradora únicamente de la manera que se describe en este manual.
- No deje la aspiradora en marcha mientras esté desatendida. Usted podría no notar señales importantes que indiquen un funcionamiento anormal, tal como pérdida de succión, residuos o líquido que salen por el escape o ruidos anormales del motor. Deje de usar la aspiradora inmediatamente si observa estas señales.
- No abandone la aspiradora cuando esté enchufada. Desenchúfela del tomacorriente cuando no la esté utilizando y antes de realizar servicio de revisión.

- Las chispas que se producen en el interior del motor pueden incendiar los vapores inflamables o el polvo. Para reducir el riesgo de incendio o explosión: No recoja con la aspiradora líquidos, gases, o polvos combustibles como gasolina u otros combustibles, líquido encendedor, limpiadores, pinturas a base de aceite, gas natural, hidrógeno, polvo de carbón, polvo de magnesio, polvo de aluminio, polvo de granos de cereal o pólvora, ni use la aspiradora cerca de estos materiales.
- No recoja con la aspiradora nada que esté ardiendo o humeando, como cigarrillos, fósforos o cenizas calientes.
- No recoja con la aspiradora polvo de panel de yeso, cenizas de chimenea frías ni otros polvos finos, los cuales es posible que pasen a través de la bolsa del filtro y sean expulsados de vuelta al aire.
- Para reducir el riesgo de que se produzcan peligros para la salud causados por vapores o polvo, no recoja con la aspiradora materiales tóxicos.
- Para reducir el riesgo de descargas eléctricas, no exponga la aspiradora a la lluvia ni deje que entren líquidos en el compartimiento del motor. Guarde la aspiradora en un lugar interior.
- No permita que la aspiradora se utilice como un juguete. Se necesita prestar máxima atención cuando sea utilizada por niños o cerca de éstos.
- No use la aspiradora con un filtro desgarrado o sin tener el filtro instalado, excepto cuando recoja con ella líquidos de la manera que se describe en este manual. Los residuos secos absorbidos por el impulsor podrían dañar el motor o ser expulsados de vuelta al aire.
- Apague la aspiradora antes de desenchufarla.
- Para reducir el riesgo de lesiones debidas a un arranque accidental, desenchufe el cordón de energía antes de cambiar o limpiar el filtro.

- No desenchufe la aspiradora tirando del cordón. Para desenchufarla, agarre el enchufe y no el cordón.
- No use la aspiradora con el cordón dañado, el enchufe dañado u otras piezas dañadas. Si la aspiradora no funciona como debe, le faltan piezas, se ha caído, ha sido dañada, se ha dejado a la intemperie o se ha caído al agua, llame a servicio al cliente.
- No tire de la aspiradora usando el cordón ni la lleve por el cordón, ni use el cordón como asa, ni cierre una puerta sobre el cordón, ni tire del cordón alrededor de bordes o esquinas afilados. No pase la aspiradora en marcha sobre el cordón. Mantenga el cordón alejado de las superficies calientes.
- No maneje el enchufe, el interruptor o la aspiradora con las manos mojadas.
- Utilice únicamente cordones de extensión que tengan capacidad nominal para uso a la intemperie y tengan un conductor de conexión a tierra. Los cordones de extensión que estén en malas condiciones o tengan un tamaño de alambre demasiado pequeño pueden crear peligros de incendio y descargas eléctricas. Para reducir el riesgo de estos peligros, asegúrese de que el cordón esté en buenas condiciones y que el líquido no entre en contacto con la conexión. No utilice un cordón de extensión que tenga conductores con un diámetro menor al calibre 16 (AWG). Para reducir la pérdida de potencia, utilice un cordón de extensión de calibre 14 si la longitud es de 25 a 50 pies, y de calibre 12 si la longitud es de 50 pies o más.
- Conecte la aspiradora solamente a un toma-corriente conectado a tierra apropiadamente. Consulte las instrucciones de conexión a tierra.
- No ponga ningún objeto en las aberturas de ventilación. No recoja nada con la aspiradora cuando cualquiera de las aberturas de ventilación esté bloqueada; mantenga dichas aberturas libres de polvo, pelusa, pelo o cualquier cosa que pueda reducir el flujo de aire.
- Mantenga el pelo, la ropa holgada, los dedos y todas las partes del cuerpo alejados de las aberturas y de las piezas móviles.
- Para reducir el riesgo de caídas, tenga cuidado adicional al limpiar en escaleras.
- Para reducir el riesgo de lesiones corporales o daños a la aspiradora, utilice únicamente accesorios recomendados por Stinger.
- Cuando utilice la aspiradora como soplador :
 - Dirija la descarga de aire solamente hacia el área de trabajo.
 - No dirija el aire hacia las personas que estén presentes.
 - Mantenga alejados a los niños durante la operación de soplado.
 - No utilice el soplador para trabajos que no sean soplar suciedad y residuos.
 - No use la aspiradora como rociador.
 - Use protección ocular de seguridad.
- Para reducir el riesgo de lesiones en los ojos, use protección ocular de seguridad. La utilización de cualquier aspiradora utilitaria o soplador utilitario puede hacer que se soplen objetos extraños hacia los ojos, lo cual puede causar daños graves en los ojos.

▲ PRECAUCIÓN:

- Para reducir el riesgo de daños a la audición, use protectores de oídos cuando utilice la aspiradora durante muchas horas seguidas o cuando la emplee en un área ruidosa.
- Para operaciones que generan polvo, use una máscara antipolvo.
- Las descargas de estática son comunes cuando la humedad relativa del aire es baja. Si recoge residuos finos con la aspiradora, se puede depositar carga estática en la manguera o en la aspiradora. El mejor remedio para reducir la frecuencia de las descargas de estática en su casa o cuando use esta aspiradora es añadir humedad al aire con un humidificador.

Siga las siguientes advertencias que aparecen en la caja del motor de la aspiradora.

▲ ADVERTENCIA: Para reducir el riesgo de sacudidas eléctricas, no exponga la aspiradora a la lluvia y almacénela en interiores.

Para su propia seguridad, lea y entienda el manual del operador. No tenga en marcha la aspiradora desatendida. No recoja cenizas calientes, carbón caliente, materiales tóxicos ni inflamables ni otros materiales peligrosos. No use la aspiradora alrededor de líquidos o vapores explosivos.

GUARDE ESTE MANUAL

Introducción

Esta aspiradora está diseñada para uso doméstico solamente. Se puede utilizar para la recogida ligera de medios mojados o secos y también puede utilizarse como soplador. El diseño liviano permite la utilización para realizar la mayoría de las tareas domésticas de aspiración pequeñas.

Familiarícese con las siguientes características del producto y lea todo el manual del usuario para obtener instrucciones sobre la utilización específica de su nueva aspiradora para mojado/seco.

Comprobación del contenido de la caja de cartón

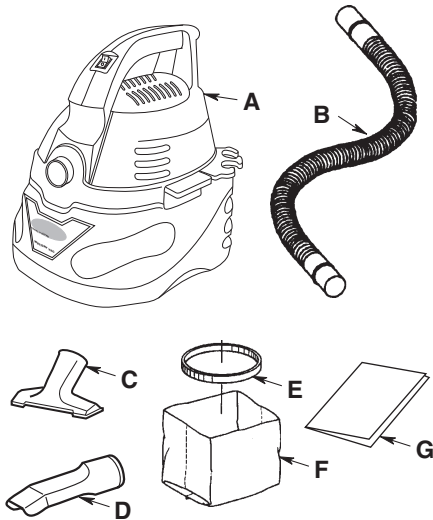
Saque todo el contenido de la caja de cartón. Asegúrese de que no falte ningún artículo utilizando la lista del contenido de la caja. Llame al 1-800-474-3443 si alguna pieza está dañada o falta.

Lista del contenido de la caja de cartón

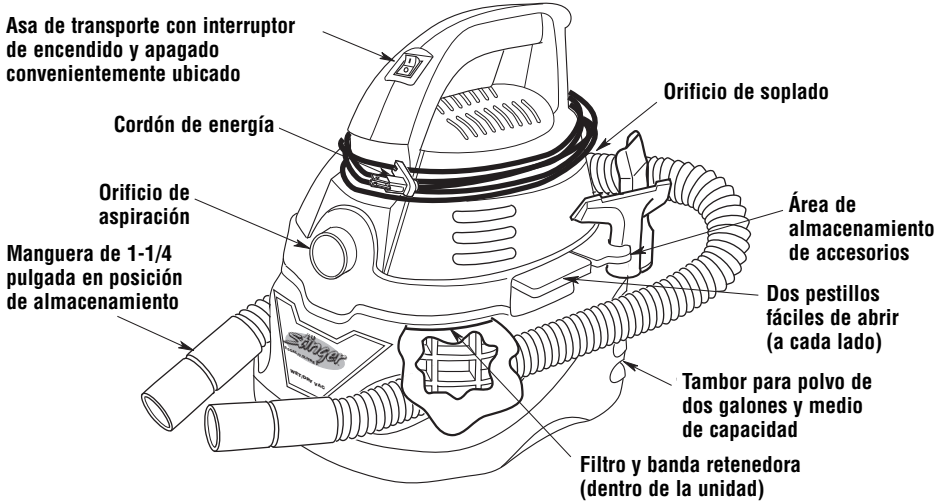
Clave	Descripción	Cant.
A	Aspiradora	1
B	Manguera	1
C	Boquilla para auto	1
D	Boquilla de uso general	1
E	* Banda retenedora	1
F	* Filtro	1
G	Manual del usuario	1

* Filtros de repuesto y banda retenedora (ya ensamblada)

Los filtros de repuesto se venden con el No. de existencias VF2000. Están disponibles en el establecimiento donde usted compró la aspiradora Stinger.



Familiarización con la aspiradora



Almacenamiento del cordón

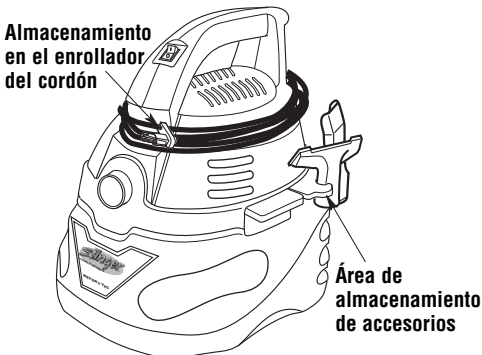
1. La aspiradora para mojado/seco tiene una práctica área para almacenar el cordón de energía cuando no se esté utilizando.
2. Enrolle el cordón de energía alrededor del asa en los entrantes provistos en el ensamblaje del cabezal del motor.

Almacenamiento de la manguera

El tambor tiene entrantes a cada lado para almacenar la manguera.

Área de almacenamiento de accesorios

Se proporciona un área de almacenamiento de accesorios en la parte trasera de la unidad. Sujete el accesorio en el soporte desde el lado de la manera que se muestra en la ilustración.

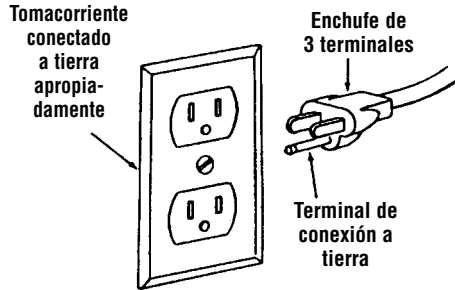


Instrucciones de conexión a tierra

Este electrodoméstico se debe conectar a tierra. En caso de mal funcionamiento o avería, la conexión a tierra proporciona una ruta de resistencia mínima para la corriente eléctrica con el fin de reducir el riesgo de sacudidas eléctricas. Este electrodoméstico está equipado con un cordón que tiene un conductor de conexión a tierra del equipo y un enchufe de conexión a tierra. El enchufe debe introducirse en un tomacorriente apropiado que esté instalado correctamente y conectado a tierra adecuadamente, de acuerdo con todos los códigos y ordenanzas locales.

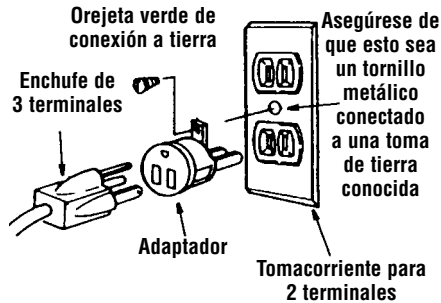
⚠ ADVERTENCIA:

La conexión incorrecta del conductor de conexión a tierra del equipo puede causar un riesgo de sacudidas eléctricas. Consulte a un electricista calificado o a una persona de servicio competente si tiene dudas sobre si el tomacorriente está conectado a tierra apropiadamente. No modifique el enchufe suministrado con el electrodoméstico. Si el enchufe no cabe en el tomacorriente, haga que un electricista calificado instale un tomacorriente apropiado.



Este electrodoméstico está diseñado para utilizarse en un circuito de 120 V nominales y tiene un enchufe conectado a tierra que tiene un aspecto como el del enchufe que se muestra en la ilustración. Se puede utilizar un adaptador temporal, que tenga un aspecto como el del adaptador que se muestra en la ilustración, para conectar este enchufe a un receptáculo de dos polos, de la manera que se muestra en la ilustración, si no se dispone de un tomacorriente conectado a tierra apropiadamente. El adaptador temporal debe utilizarse únicamente hasta que un electricista calificado pueda instalar un tomacorriente conectado a tierra apropiadamente. La orejeta, lengüeta o pieza similar rígida de color verde que sobresale del adaptador se debe conectar a una toma de tierra permanente, como por ejemplo una tapa de caja tomacorriente conectada a tierra apropiadamente. Siempre que se utilice el adaptador, se debe sujetar en la posición correcta con un tornillo metálico.

NOTA: En Canadá, el uso de un adaptador temporal no está permitido por el Código Eléctrico Canadiense.



Funcionamiento

⚠ ADVERTENCIA: Para reducir el riesgo de incendio, explosión o daños a la aspiradora:

- No deje la aspiradora en marcha mientras esté desatendida. Usted podría no notar señales importantes que indiquen un funcionamiento anormal, tal como pérdida de succión, residuos o líquido que salen por el escape o ruidos anormales del motor. Deje de usar la aspiradora inmediatamente si observa estas señales.
- No deje la aspiradora enchufada cuando no se esté utilizando.
- No continúe usando la aspiradora cuando el flotador haya cortado la succión.
- No utilice la aspiradora en áreas con gases inflamables, vapores inflamables o polvo explosivo en el aire. Las chispas generadas dentro del motor pueden incendiar los materiales inflamables suspendidos en el aire. Los gases inflamables y los vapores inflamables incluyen: líquido encendedor, limpiadores tipo solvente, pinturas a base de aceite, gasolina, alcohol o rociadores tipo aerosol. Los polvos inflamables incluyen: polvo de carbón, polvo de magnesio, polvo de aluminio, polvo de grano de cereal o pólvora.
- No recoja con la aspiradora polvos explosivos, líquidos inflamables ni cenizas calientes.
- No use la aspiradora como un rociador.

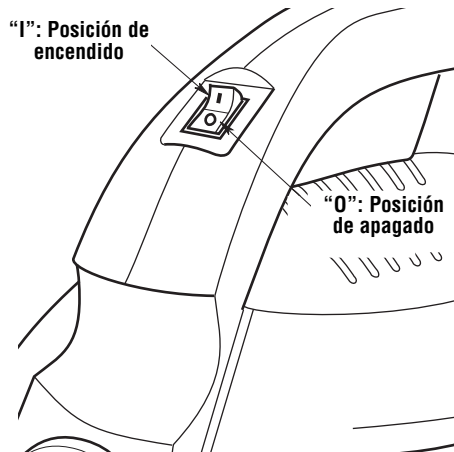
⚠ ADVERTENCIA: Para reducir el riesgo de descargas eléctricas o lesiones:

- No esponga la aspiradora a la lluvia ni deje que entre líquido en el compartimiento del motor. Almacene la aspiradora en un lugar interior.
- No maneje el enchufe, el interruptor o la aspiradora con las manos mojadas.
- No haga servicio de ajustes y reparaciones de la aspiradora mientras esté enchufada. Si la aspiradora no está funcionando como debería, le faltan piezas, se ha caído, está dañada, se ha dejado a la intemperie o se ha caído al agua, devuélvala a un centro de servicio independiente o llame a servicio al cliente.
- Cuando utilice un cordón de extensión, utilice únicamente cordones con capacidad nominal para uso a la intemperie que estén en buenas condiciones. No deje que la conexión entre en contacto con líquido.
- No recoja con la aspiradora materiales tóxicos, para reducir el riesgo de inhalar los vapores o el polvo.

La aspiradora para mojado/seco de dos galones y medio se ensambla en la fábrica y está lista para utilizarse cuando se saca de la caja de cartón. La unidad está lista para aspirar o soplar materiales secos.

Después de enchufar el cordón de energía en el receptáculo de la pared, encienda la unidad empujando el interruptor de la posición "0" a la posición "I". Los símbolos utilizados en el interruptor son símbolos internacionales:

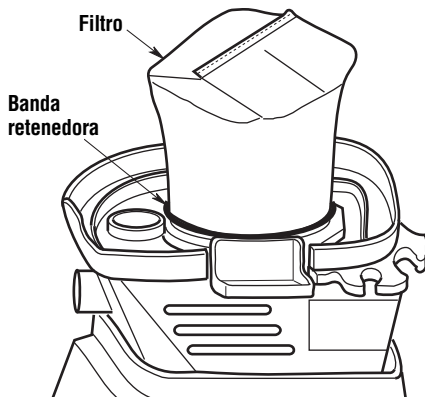
○ = APAGADO | = ENCENDIDO



Funcionamiento (continuación)

Recogida de materiales secos con la aspiradora

1. El filtro debe estar siempre en la posición correcta para reducir el riesgo de fugas y posibles daños a la aspiradora. Asegúrese de que el filtro esté cubriendo completamente la jaula del filtro y de que la banda retenedora esté tan cerca de la tapa como sea posible. Asegúrese de que no haya holguras entre el filtro y la tapa (vea la ilustración). **Es muy importante ensamblar el filtro en la jaula sin permitir ninguna fuga o desgarradura posible. Cualquier fuga permitirá que el medio recogido se expulse por el orificio del soplador y vuelva al entorno circundante.**



2. Para mantener el máximo rendimiento de la aspiradora cuando recoja residuos pequeños, como por ejemplo aserrín, podría ser útil vaciar el tambor para polvo y limpiar o reemplazar el filtro a intervalos más frecuentes.

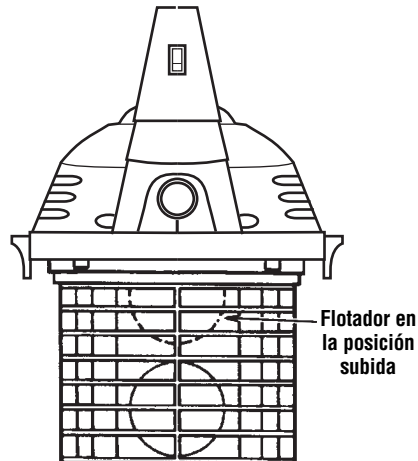
NOTA: El filtro debería estar seco para recoger material seco. Si usa la aspiradora para recoger residuos secos cuando el filtro está mojado, el filtro se taponará rápidamente y será muy difícil limpiarlo. En caso de que el filtro se moje, reemplácelo antes de continuar la recogida de material seco.

Recogida de líquidos con la aspiradora

1. Se recomienda enfáticamente quitar el filtro para recoger material mojado.
2. Esta aspiradora para mojado/seco está equipada con un mecanismo de flotador que subirá automáticamente para cortar la circulación de aire cuando el líquido contenido en el tambor alcance un nivel predeterminado. Cuando esto ocurra, apague la aspiradora, desenchufe el cordón de energía y vacíe el tambor. Sabrá que el flotador ha cortado la circulación de aire porque la succión cesará y el ruido del motor alcanzará una frecuencia más alta debido al aumento de la velocidad del motor. La capacidad de líquido puede variar con la velocidad de recogida.
3. Asegúrese de reemplazar el filtro después de recoger material mojado. No recoja nunca residuos secos sin tener el filtro instalado adecuadamente.

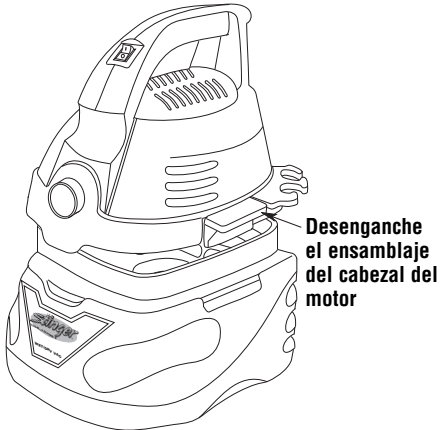
IMPORTANTE: Para reducir el riesgo de daños a la aspiradora, no haga funcionar el motor con el flotador en la posición subida.

⚠ ADVERTENCIA: No deje nunca la aspiradora en marcha mientras esté desatendida.

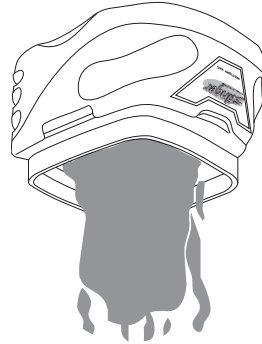


Vaciado del tambor para polvo

⚠ ADVERTENCIA: Para reducir el riesgo de lesiones debidas a un arranque accidental, desenchufe el cordón de energía antes de vaciar el tambor.



1. Ponga la aspiradora sobre una superficie estable, como el terreno, el piso, un banco, etc.
2. Quite el ensamblaje del cabezal del motor de la aspiradora para mojado/seco tirando hacia fuera de los pestillos ubicados a cada lado de la aspiradora. Levante el ensamblaje del cabezal del motor.
3. Tire el contenido del tambor en el recipiente de eliminación de residuos apropiado.



Dispositivo de soplado

La aspiradora contiene un dispositivo de soplado. Este dispositivo tiene capacidad para soplar aserrín y otros residuos. Es excelente para utilizarlo con el fin de soplar el polvo y los residuos para sacarlos de garajes o patios y entradas de autos. Siga los pasos que se indican más adelante para utilizar la aspiradora como soplador.

1. Localice el orificio de soplado de la aspiradora.
2. Introduzca un extremo de la manguera de 4 pies x 1-1/4 pulgadas en el orificio de soplado.
3. Encienda la aspiradora y estará listo para utilizarla como soplador.

⚠ ADVERTENCIA: Use siempre gafas de seguridad que cumplan la norma ANSI Z87.1 (o en Canadá, con la norma CSA Z94.3) cuando se use la aspiradora como soplador.

⚠ ADVERTENCIA: Para evitar lesiones a las personas que se encuentren presentes, manténgalas alejadas de los residuos soplados.

⚠ PRECAUCIÓN: Use una máscara antipolvo si el soplado genera polvo que se pudiera inhalar.

⚠ PRECAUCIÓN: Para reducir el riesgo de daños a la audición, use protectores de oídos al utilizar la aspiradora/soplador durante varias horas seguidas o al utilizarla en un área ruidosa.

Mantenimiento

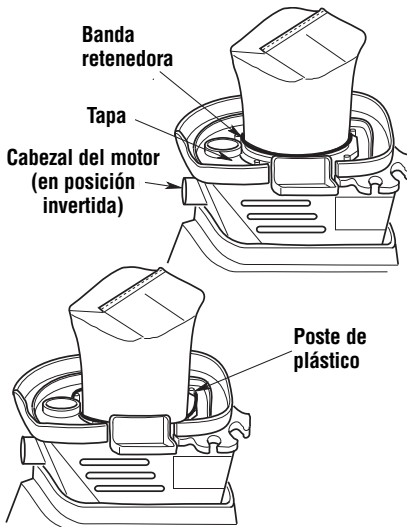
Filtro

Se debe limpiar a menudo el filtro para mantener el rendimiento máximo de la aspiradora.

NOTA: El filtro está hecho de material de alta calidad diseñado para detener partículas pequeñas, tales como aserrín. Maneje con cuidado el filtro cuando lo quite para limpiarlo o instalar un filtro nuevo. No desgarre el filtro al quitarlo o instalarlo si tiene intención de reutilizarlo.

Filtro fácil de reemplazar

1. Extienda la banda retenedora alrededor de los postes de plástico que están sobre la tapa.
2. Quite la bolsa del filtro de la jaula del filtro.
3. Coloque el filtro de repuesto sobre la jaula del filtro hasta que el extremo abierto toque la parte inferior de la tapa.
4. Suelte la banda retenedora del poste de plástico que está sobre la tapa, sujetando la bolsa del filtro firmemente a la tapa.
5. Asegúrese de que la banda retenedora esté posicionada sobre la bolsa del filtro de manera que cubra la línea impresa de color negro.



IMPORTANTE: Para evitar daños a la rueda del soplador y al motor, reinstale siempre el filtro antes de utilizar la aspiradora para recoger material seco.

Lleve el filtro sucio a un recipiente de desecho y quite suavemente con un cepillo las partículas de suciedad pequeñas que puedan estar adhiriéndose al material del filtro.

IMPORTANTE: Después de limpiar el filtro, compruebe si tiene desgarraduras o agujeros pequeños. No utilice un filtro que tenga agujeros o desgarraduras. Incluso un agujero pequeño puede hacer que salga mucho polvo de la aspiradora. Reemplace inmediatamente dicho filtro.

Instalación

Antes de instalar el filtro en la aspiradora, limpie el área de la tapa para que la banda retenedora selle la bolsa contra la tapa y evite que las partículas pequeñas pasen rodeando la bolsa del filtro.

Si el filtro está limpio y no está dañado, colóquelo de nuevo en la jaula del filtro. Si el filtro no se puede reutilizar, coloque un filtro nuevo sobre la jaula del filtro.

Coloque de nuevo la banda retenedora alrededor del filtro. Asegúrese de que la banda retenedora esté posicionada sobre el filtro y de que el filtro cubra completamente la jaula del filtro. Además, asegúrese de que los bordes del filtro estén completamente sujetos debajo de la banda retenedora.

NOTA: Limpie el filtro en un área abierta. La limpieza se debe realizar en el exterior y no en áreas interiores de vivienda.

⚠ ADVERTENCIA: No quite la jaula del filtro y el flotador. El flotador evita que entre líquido en el impulsor y dañe el motor. La jaula impide que los dedos toquen el impulsor cuando éste está en movimiento.

Limpieza

Para mantener el mejor aspecto posible de la aspiradora para mojado/seco, limpie su exterior con un paño humedecido con agua templada y un jabón suave.

Para limpiar el tambor:

1. Vacíe de residuos del tambor.
2. Lave a fondo el tambor con agua templada y un jabón suave.
3. Limpie el tambor con un paño seco.

Almacenamiento

Antes de almacenar la aspiradora, se debe vaciar y limpiar el tambor para polvo. El cordón se debe enrollar alrededor de la unidad y la manguera se debe almacenar de la manera descrita en la sección sobre almacenamiento del cordón y de la manguera de este manual. Los accesorios se deben mantener en la misma área que la aspiradora para que estén al alcance de la mano cuando se necesiten. La aspiradora se debe almacenar en interiores.

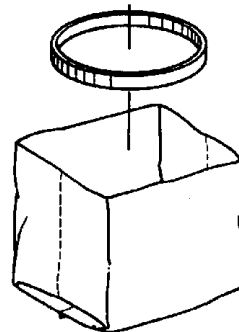
Localización y resolución de problemas

Problema	Causa	Remedio
La aspiradora no recoge la suciedad.	<ol style="list-style-type: none"> 1. Filtro taponado 2. Manguera taponada 3. Fuga de aire 	<ol style="list-style-type: none"> 1. Limpie o reemplace el filtro (siga las instrucciones de la página 22) 2. Quite la manguera y retire los residuos. 3. Asegúrese de que el cabezal del motor esté sujeto firmemente al tambor para polvo.
La aspiradora no funciona.	<ol style="list-style-type: none"> 1. No hay electricidad 	<ol style="list-style-type: none"> 1. Asegúrese de que el tomacorriente tenga corriente. (Es posible que sea necesario ponerse en contacto con un electricista calificado.)

⚠ ADVERTENCIA: Si cualquiera de las piezas del ensamblaje del cabezal del motor se desprende o rompe, dejando al descubierto el motor o cualquier otro componente eléctrico, se debe interrumpir inmediatamente la operación para reducir el riesgo de lesiones personales o daños adicionales a la aspiradora. Esta aspiradora no tiene piezas que puedan ser ajustadas o reparadas por el usuario.

Filtro de repuesto

Los filtros de repuesto están disponibles en el establecimiento donde usted compró la aspiradora. El número de existencias es VF2000.





WET/DRY VAC **2.5 GAL / 9.5 LITRE**
ASPIRADORA PARA MOJADO/SECO **2.5 GAL. / 9.5 LITROS**

Número de modelo: WD20250

Garantía completa de un año

Si dentro del plazo de un año a partir de la fecha de compra, esta aspiradora para mojado/seco falla debido a un defecto de material o de fabricación, Emerson la reparará o reemplazará sin ningún cargo. Esta garantía no cubre los filtros, que se consideran piezas reemplazables por el cliente.

Este producto no está diseñado para uso comercial.

El servicio de garantía está disponible simplemente poniéndose en contacto con Emerson.

No devuelva el producto a la tienda.

Esta garantía se aplica solamente a productos comprados en los Estados Unidos y Canadá.

Esta garantía le confiere a usted derechos legales específicos y es posible que usted tenga otros derechos que pueden variar en el país (estado o provincia) donde usted esté ubicado.

Emerson
 8100 West Florissant
 St. Louis, MO 63136

No. de existencias WD2025

No. de modelo WD20250

Los números de modelo y de serie se pueden encontrar en el lado izquierdo de la parte superior de la aspiradora. Se debe anotar tanto el número de modelo como el número de serie en un lugar seguro para uso futuro.

¿PREGUNTAS O COMENTARIOS?

LLAME AL 1-800-474-3443



EMERSON

Professional Tools

Emerson Tool Company

Una División de

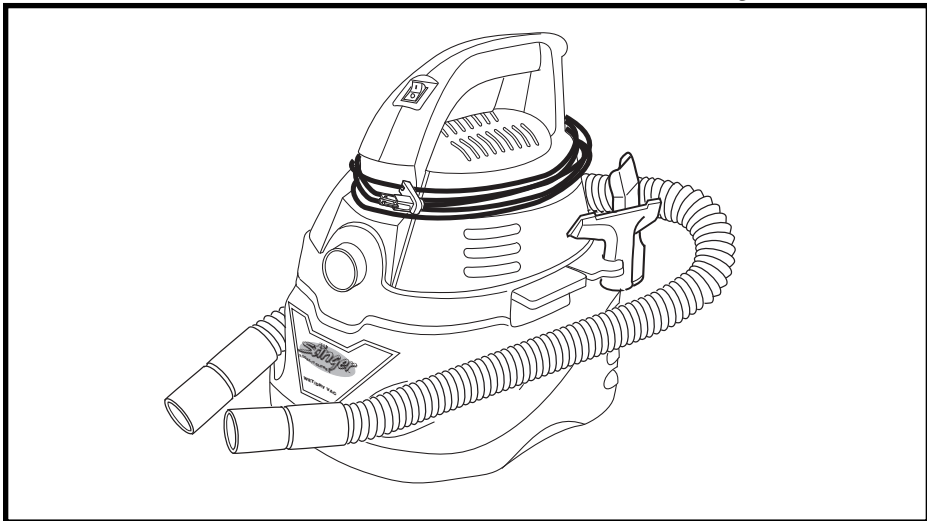
Emerson Electric Co.

© 2010 Emerson

stinger™

WET/DRY VAC 2.5 GAL/9.5 LITRE

ASPIRATEUR DE LIQUIDES ET DE POUSSIÈRES 9,5 litres/2,5 gallons



MODE D'EMPLOI

WD2025

- **Montage**
- **Fonctionnement**

QUESTIONS OU COMMENTAIRES?

TÉLÉPHONER AU 1-800-474-3443

Pour votre sécurité :
Lire attentivement toutes les instructions.



Table des matières

Sujet	Page	Sujet	Page
Instructions importantes relatives à la sécurité.	26	Vidage du tambour à poussière	33
Conserver ce manuel	27	Soufflerie	33
Introduction	28	Entretien	34
Déballage et contrôle du contenu du carton	28	Filtre	34
Apprenez à connaître votre aspirateur	29	Filtre facile à remplacer	34
Rangement du cordon d'alimentation	29	Installation	34
Rangement du tuyau	29	Nettoyage	35
Instructions relatives à la mise à la terre	30	Rangement	35
Fonctionnement	31	Localisation de la cause des problèmes	35
Aspiration de matériaux secs	32	Filtres de rechange	35
Aspiration de liquides	32		

INSTRUCTIONS IMPORTANTES RELATIVES À LA SÉCURITÉ

Pour utiliser cet aspirateur en toute sécurité, l'utilisateur doit faire preuve de bon sens, rester alerte et savoir comment l'appareil fonctionne.

Termes de signalisation de questions de sécurité

▲ DANGER : indique une situation dangereuse imminente qui, si elle n'est pas évitée, **causera** la mort ou une blessure grave.

▲ AVERTISSEMENT : indique une situation pouvant être dangereuse qui, si elle n'est pas évitée, **risque de causer** la mort ou une blessure grave.

▲ MISE EN GARDE : indique une situation pouvant être dangereuse qui, si elle n'est pas évitée, **pourrait causer** une blessure légère ou modérée.

Prenez toujours des précautions élémentaires, notamment les précautions suivantes, lorsque vous utilisez votre aspirateur de liquides et de poussières :

▲ AVERTISSEMENT – Pour réduire le risque d'incendie, de choc électrique ou de blessure :

- Lisez et comprenez ce manuel et toutes les étiquettes placées sur l'aspirateur avant de mettre celui-ci en marche.
- N'utilisez l'aspirateur que comme cela est décrit dans ce mode d'emploi.
- Ne laissez pas en marche pendant que vous êtes absent – vous vous risqueriez de manquer des signes importants indiquant un fonctionnement anormal, comme une perte de puissance d'aspiration, la sortie de débris ou de liquides par la bouche de soufflage d'air ou des bruits anormaux en provenance du moteur. Cessez immédiatement d'utiliser l'aspirateur si vous constatez de tels signes.
- Ne laissez pas l'aspirateur sans surveillance quand il est branché dans une prise de courant.

Débranchez-le de la prise quand il n'est pas utilisé et avant toute opération de maintenance.

- Des étincelles à l'intérieur du moteur risquent de mettre feu à des vapeurs ou poussières inflammables. Pour réduire le risque d'incendie ou d'explosion : n'aspirez pas et n'utilisez pas à proximité de gaz ou de liquides inflammables ou combustibles, ou de poussières explosives, comme de l'essence automobile ou d'autres fiouls, de l'essence à briquet, des produits de nettoyage, de la peinture à l'huile, du gaz naturel, de l'hydrogène, de la poussière de charbon, de la poussière de magnésium, de la poussière d'aluminium, de la poussière de céréales ou de la poudre.
- N'aspirez jamais de matières en train de brûler ou des matières fumigènes, telles que des cigarettes, des allumettes ou des cendres chaudes.
- N'aspirez pas de poussières de cloisons sèches, de cendres de cheminée froides ou d'autres poussières fines, parce qu'elles risqueraient de traverser le sac-filtre et d'être rejetées dans l'air ambiant.
- Pour réduire le risque d'inhalation de vapeurs toxiques, n'aspirez pas de matériaux toxiques ou dangereux, et n'utilisez pas à proximité de tels matériaux.
- Pour réduire le risque de choc électrique, n'exposez pas à la pluie et empêchez l'entrée de liquides dans le compartiment du moteur. Rangez à l'intérieur.
- Ne laissez pas les enfants se servir de l'aspirateur comme d'un jouet. Il faut surveiller de très près quand il est utilisé par des enfants ou à proximité d'enfants.
- N'utilisez pas avec un filtre déchiré ou sans avoir installé de filtre, sauf quand vous aspirez des liquides, comme cela est décrit dans ce mode d'emploi. Des débris secs capturés par la roue risquent d'endommager le moteur ou d'être expulsés à nouveau dans l'air ambiant.





- Éteignez l'aspirateur avant de le débrancher.
- Pour réduire le risque de blessure pouvant être causée par une mise en marche accidentelle, débranchez le cordon d'alimentation avant de changer le filtre ou de le nettoyer.
- Ne débranchez pas en tirant sur le cordon. Pour débrancher, saisissez la fiche – pas le cordon.
- N'utilisez pas l'aspirateur avec une fiche, un cordon ou un autre composant endommagé. Si votre aspirateur ne fonctionne pas comme il faut, s'il manque des pièces, s'il quelqu'un l'a laissé tomber, s'il est endommagé, s'il a été laissé à l'extérieur ou s'il est tombé dans de l'eau, téléphonez au service d'assistance à la clientèle.
- Ne tirez pas l'aspirateur et ne le portez pas par son cordon, n'utilisez pas le cordon pour servir de poignée, ne fermez pas une porte sur le cordon et ne laissez pas le cordon tendu passer sur des bords ou des coins tranchants. Ne traînez pas l'aspirateur sur son cordon. Maintenez le cordon à distance des surfaces chauffées.
- Ne touchez pas la fiche, l'interrupteur ou l'aspirateur avec des mains mouillées.
- Utilisez seulement des cordons de rallonge conçus pour emploi à l'extérieur et pourvus d'un conducteur de mise à la terre. Les cordons de rallonge en mauvais état ou trop petits en termes de calibre des fils peuvent poser des risques d'incendie et de choc électrique. Pour réduire le risque de tels dangers, inspectez les cordons pour vous assurer qu'ils sont en bon état et que le liquide n'entre pas en contact avec le raccordement. N'utilisez pas de cordons de rallonge dont les conducteurs ont un calibre inférieur à 16 AWG. Pour réduire la perte d'énergie, utilisez un cordon de rallonge de calibre 14 s'il mesure entre 7,5 et 15 mètres de long, ou de calibre 12 s'il mesure 15 mètres de long ou plus.
- Connecter cet outil uniquement à une prise mise à la terre correctement. Veuillez vous reporter aux instructions relatives à la mise à la terre.
- Ne mettez aucun objet dans les orifices de ventilation. N'aspirez pas quand de quelconques orifices de ventilation sont obstrués ; assurez-vous que ces orifices ne sont pas bloqués par de la poussière, de la peluche, des cheveux ou de quelconques objets pouvant réduire la circulation de l'air.
- Gardez les cheveux, les vêtements flottants, les doigts et toutes les parties du corps à distance des orifices et des pièces mobiles.
- Pour réduire le risque de chute, faites très attention lorsque vous utilisez l'aspirateur dans des escaliers.
- Pour réduire le risque de blessure ou le risque d'endommagement de l'aspirateur, n'utilisez que des accessoires recommandés par Stinger.
- En cas d'utilisation de l'aspirateur comme soufflante :
 - Ne dirigez la décharge d'air que vers la zone de travail.
 - Ne dirigez pas l'air vers des personnes présentes à proximité.
 - Gardez les enfants à distance lors du fonctionnement de la soufflante.
 - N'utilisez la soufflante que pour souffler des saletés et des débris.
 - N'utilisez pas en guise de pulvérisateur.
 - Portez des lunettes de sécurité.
- Pour réduire le risque de blessure pour les yeux, portez des lunettes de sécurité. L'utilisation de toute soufflante ou de tout aspirateur utilitaire peut toujours causer la projection de corps étrangers dans les yeux, ce qui risque d'entraîner des blessures graves aux yeux.

MISE EN GARDE :

- Pour réduire le risque de perte auditive, portez des protecteurs d'oreilles lorsque vous vous servez de l'aspirateur pendant plusieurs heures ou quand vous l'utilisez dans un endroit bruyant.
- Portez un masque antipoussières en cas d'utilisation dans un environnement poussiéreux.
- Les décharges statiques sont fréquentes dans les endroits secs ou lorsque l'humidité relative de l'air ambiant est faible. L'aspiration de débris fins avec votre aspirateur peut déposer une charge statique sur le tuyau ou sur l'aspirateur. La meilleure chose à faire pour réduire la fréquence des décharges statiques chez vous ou lorsque vous utilisez cet aspirateur consiste à ajouter de l'humidité dans l'air avec un humidificateur.

Observez les avertissements suivants qui figurent sur le carter du moteur de votre aspirateur :

▲ AVERTISSEMENT: pour réduire le risque de choc électrique – n'exposez pas à la pluie – rangez à l'intérieur.

Pour votre propre sécurité, lisez et comprenez le manuel de l'opérateur. Ne laissez jamais l'aspirateur en marche sans surveillance. Ne ramassez pas de cendres chaudes, de charbon ou de matières toxiques, inflammables ou dangereuses. N'utilisez pas à proximité de vapeurs ou de liquides explosifs.

CONSERVER CE MANUEL



Introduction

Cet aspirateur a été conçu pour une utilisation ménagère uniquement. Il peut être utilisé pour l'aspiration de débris humides ou secs, mais aussi comme une soufflerie. Sa conception légère lui permet d'être utilisé pour la plupart des travaux

ménagers d'aspiration. Familiarisez-vous avec les fonctions suivantes de ce produit, et lisez le mode d'emploi du début à la fin pour des détails spécifiques quant à l'utilisation de votre nouvel aspirateur de liquides et poussières.

Déballage et contrôle du contenu du carton

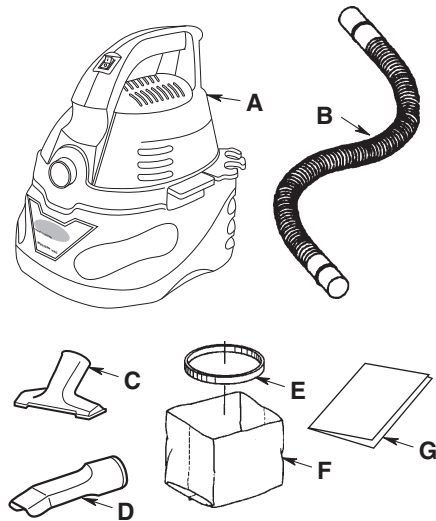
Vider complètement la boîte en carton. Inspecter chaque élément en le comparant à la liste incluse dans la boîte en carton. Téléphonez au 1-800-474-3443 si de quelconques pièces sont endommagées ou absentes.

Liste du contenu de la boîte en carton

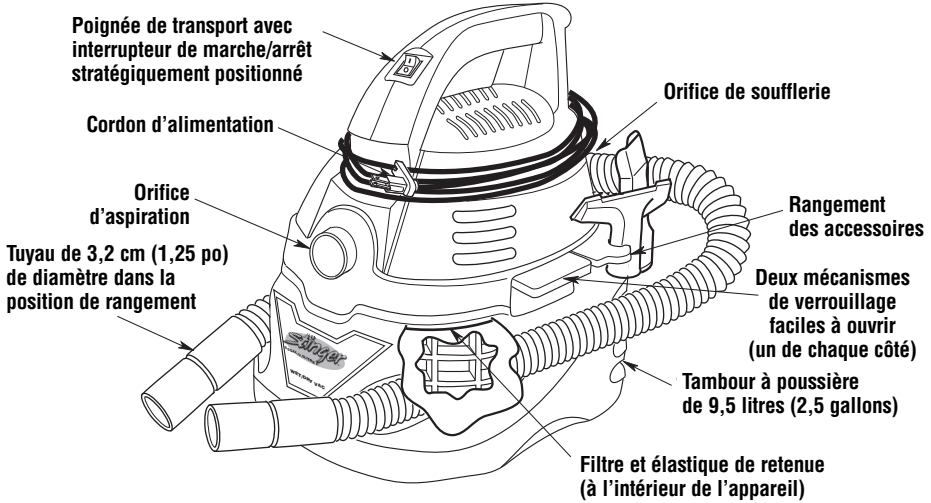
Légende	Description	Qté
A	Aspirateur	1
B	Tuyau	1
C	Suceur pour véhicules	1
D	Suceur à usages multiples	1
E	* Bande de retenue	
F	* Filtre	1
G	Mode d'emploi	1

* Filtres de rechange et bande de retenue (déjà assemblés)

Le numéro de catalogue des filtres de rechange Stinger est VF2000. Vous pouvez vous procurer ces filtres dans le magasin où vous avez acheté votre aspirateur Stinger.



Apprenez à connaître votre aspirateur



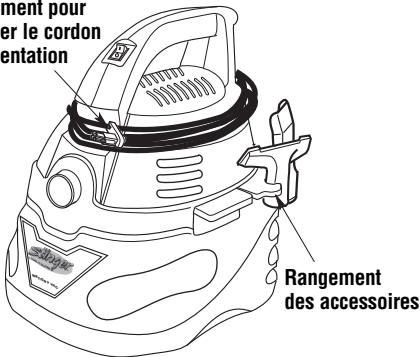
Rangement du cordon d'alimentation

1. Votre aspirateur de liquides et de poussières est muni d'un système pratique pour ranger le cordon d'alimentation lorsque l'aspirateur n'est pas utilisé.
2. Enroulez le cordon d'alimentation autour de la poignée dans les rainures conçues à cet effet et situées sur l'ensemble moteur.

Rangement des accessoires

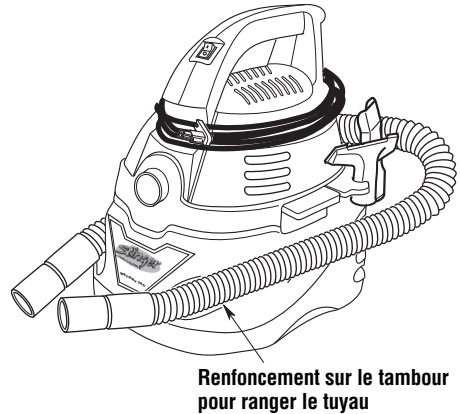
Un rangement est fourni pour les accessoires à l'arrière de l'appareil. Fixez l'accessoire dans le support depuis le côté, tel que cela est illustré.

Rangement pour enrouler le cordon d'alimentation



Rangement du tuyau

Il y a des encastrement de chaque côté du tambour pour permettre d'y ranger le tuyau.



Instructions relatives à la mise à la terre

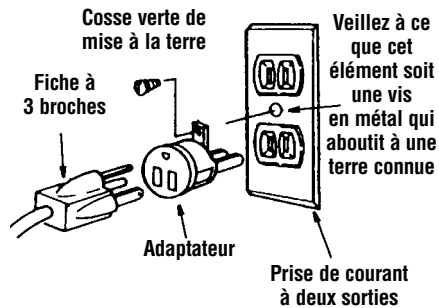
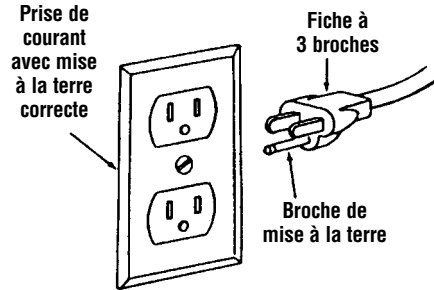
Cet appareil doit être mis à la terre. Dans le cas d'un mauvais fonctionnement ou d'une panne de l'appareil, la mise à la terre fournit un chemin de moindre résistance pour le courant électrique qui permet de réduire le risque de choc électrique. Cet appareil est équipé d'un cordon électrique muni d'un conducteur de mise à la terre et d'une fiche de mise à la terre. Cette fiche doit être branchée dans une prise compatible qui a été correctement installée et mise à la terre conformément à tous les codes et à toutes les ordonnances en vigueur.

⚠ AVERTISSEMENT :

une connexion erronée du conducteur de mise à la terre de l'appareil peut entraîner des risques de choc électrique. Adressez-vous à un électricien qualifié ou à un membre du personnel de service si vous n'êtes pas sûr que votre outil est correctement mis à la terre. Ne modifiez pas la fiche qui vous a été fournie avec cet appareil – Si elle n'est pas compatible avec votre prise de courant, demandez à un électricien qualifié de vous installer une prise appropriée.

Cet appareil a été conçu pour être utilisé sur un circuit nominal de 120 volts, et il est muni d'une fiche à trois broches (dont une de mise à la terre) qui ressemble à la fiche représentée sur l'illustration. Si vous n'avez pas à votre disposition une prise de courant avec mise à la terre correcte, un adaptateur temporaire qui ressemble à l'adaptateur représenté sur l'illustration peut être utilisé pour brancher cette fiche dans une prise de courant à deux sorties. Cet adaptateur temporaire ne doit être utilisé que jusqu'à ce qu'un électricien agréé ait installé une prise de courant avec mise à la terre correcte. La patte rigide de couleur verte, la cosse et les autres pièces qui dépassent de l'adaptateur doivent être connectées à une terre permanente telle qu'une boîte à prise de courant mise à la terre correctement. Chaque fois que l'adaptateur est utilisé, il doit être tenu en place par une vis en métal.

REMARQUE : au Canada, l'utilisation d'un adaptateur temporaire n'est pas autorisée par le code d'électricité du Canada.



Fonctionnement

▲ AVERTISSEMENT : pour réduire le risque d'incendie, d'explosion ou d'endommagement de l'aspirateur :

- Ne laissez pas en marche pendant que vous êtes absent – vous risqueriez de manquer des signes importants indiquant un fonctionnement anormal, comme une perte de puissance d'aspiration, la sortie de débris ou de liquides par la bouche de soufflage d'air ou des bruits anormaux en provenance du moteur. Cessez immédiatement d'utiliser l'aspirateur si vous constatez de tels signes.
- Ne laissez pas l'aspirateur branché lorsque vous ne l'utilisez pas.
- Ne continuez pas à utiliser l'aspirateur lorsque le flotteur a coupé l'aspiration.
- N'utilisez pas l'aspirateur à des endroits où il y a des gaz ou vapeurs inflammables, ou des poussières explosives, dans l'air. Les étincelles à l'intérieur du moteur risqueraient de mettre feu à des matières inflammables en suspension dans l'air. Les gaz et vapeurs inflammables comprennent : essence à briquet, produits de nettoyage du type solvant, peinture à base d'huile, essence, alcool ou aérosols. Les poussières inflammables comprennent : charbon, magnésium, aluminium, grains ou poudre à canon.
- N'aspirez pas de poussières explosives, de liquides inflammables ou de cendres chaudes.
- Ne vous servez pas de l'aspirateur comme pulvérisateur.

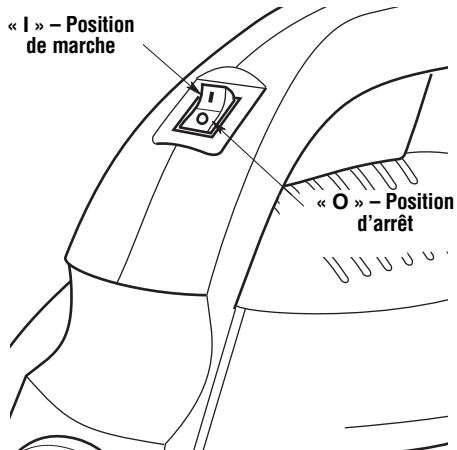
▲ AVERTISSEMENT : pour réduire le risque de choc électrique ou de blessure :

- N'exposez pas à la pluie, et ne laissez pas de liquides pénétrer dans le compartiment du moteur. Rangez à l'intérieur.
- Ne touchez pas la fiche de branchement, l'interrupteur ou l'aspirateur si vous avez les mains mouillées.
- N'effectuez pas d'opération de maintenance pendant que l'aspirateur est branché. Si votre aspirateur ne fonctionne pas comme il devrait, si des pièces sont manquantes, si vous l'avez laissé tomber, s'il est endommagé, s'il a été laissé à l'extérieur ou s'il a été immergé dans de l'eau, rappez-le dans un centre de réparation indépendant ou téléphonez au service d'assistance à la clientèle.
- Lorsque vous utilisez un cordon de rallonge, n'utilisez qu'un cordon prévu pour emploi à l'extérieur et en bon état. Ne laissez pas la connexion entrer en contact avec des liquides.
- N'aspirez pas de matières toxiques afin de réduire le risque d'inhaler des vapeurs ou des poussières dangereuses.

Votre aspirateur de liquides et de poussières de 9,5 litres (2,5 gallons) a été assemblé en usine, et il est prêt à l'emploi quand vous le déballez du carton. L'appareil est prêt à assurer ses fonctions de soufflerie, ou d'aspiration de déchets secs.

Après avoir branché le cordon d'alimentation dans la prise de courant, mettez l'appareil sous tension en appuyant sur l'interrupteur pour le faire passer de la position « 0 » à la position « I ». Les deux symboles internationaux qui figurent sur l'interrupteur indiquent, respectivement, la position de marche et la position d'arrêt de votre aspirateur.

« I » – Position de marche



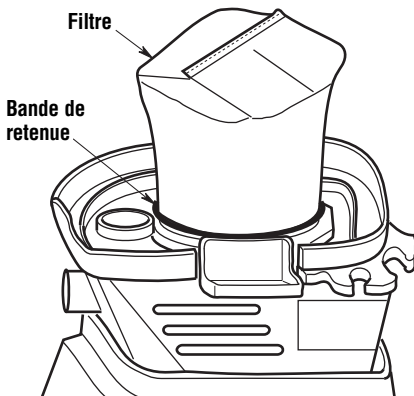
○ = ARRÊT

| = MARCHÉ

Fonctionnement (suite)

Aspiration de matériaux secs

1. Le filtre doit toujours être mis en place correctement afin de réduire le risque de fuite et le potentiel d'endommager l'aspirateur. Veillez à ce que le filtre couvre complètement la cage du filtre et à ce que l'élastique de retenue soit le plus près possible du couvercle. Veillez à ce qu'il n'y ait pas d'espace entre le filtre et le couvercle. (Veuillez vous reporter à l'illustration.) **Il est très important d'assembler le filtre et la cage sans permettre la moindre possibilité de fuite ou de déchirure. Toute fuite causerait l'éjection des déchets aspirés par l'orifice de soufflerie et leur propagation dans l'environnement immédiat.**



2. Lorsque vous utilisez votre aspirateur pour aspirer des poussières fines, vous devrez vider le tambour à poussière ou remplacer le filtre plus fréquemment afin de maintenir la performance maximale de l'aspirateur.

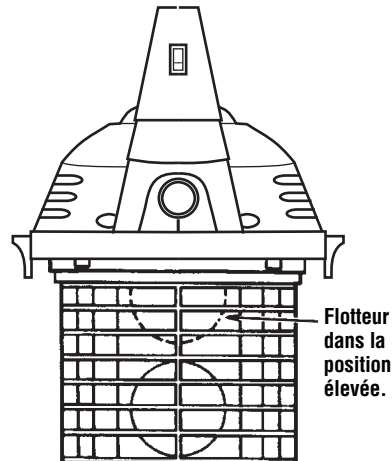
REMARQUE : le filtre doit être sec pour aspirer des déchets secs. Si vous vous servez de l'aspirateur en vue de ramasser de la poussière alors que le filtre est humide, le filtre se bouchera très vite et il sera ensuite très difficile à nettoyer. Si le filtre est humide, remplacez-le avant de continuer à ramasser des matériaux secs.

Aspiration de liquides

1. Il est fortement recommandé de retirer le filtre avant d'aspirer des déchets humides.
2. Votre aspirateur de liquides et de poussières est muni d'un flotteur qui s'élève automatiquement afin de couper la circulation de l'air lorsque le liquide aspiré atteint un niveau prédéterminé dans le tambour. Lorsque ceci se produit, mettez l'aspirateur hors tension, débranchez le cordon d'alimentation et videz le tambour. Vous vous rendrez compte que le flotteur a fermé la circulation de l'air parce que le bruit de succion s'interrompt et parce que le bruit du moteur devient alors plus aigu en raison de l'accélération de sa vitesse. La capacité d'aspiration de liquide de l'aspirateur peut varier en fonction de la vitesse de ramassage.
3. N'oubliez pas de changer le filtre après un ramassage de débris humides. Ne ramassez jamais de débris secs si le filtre n'est pas installé correctement.

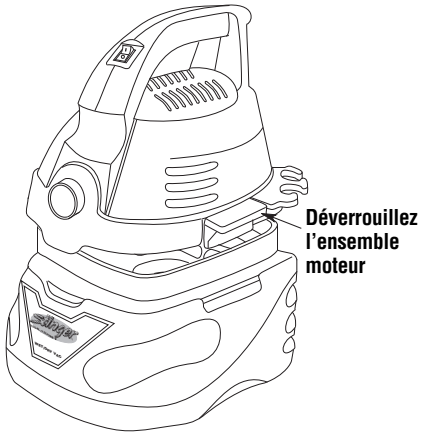
IMPORTANT : pour réduire les risques d'endommager l'aspirateur, ne faites pas fonctionner le moteur quand le flotteur est dans la position élevée.

⚠ AVERTISSEMENT : ne laissez jamais l'aspirateur en marche sans surveillance.

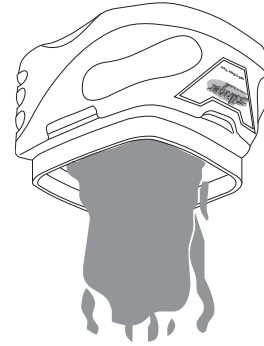


Vidage du tambour à poussière

⚠ AVERTISSEMENT : pour réduire le risque de blessure en raison d'une mise en marche accidentelle, débrancher le cordon électrique avant de vider le tambour.



1. Placer l'aspirateur à plat sur une surface stable telle que le sol, le plancher, un banc, etc.
2. Retirer l'ensemble de tête du moteur de l'aspirateur de liquides et de poussières en tirant vers l'extérieur les mécanismes de verrouillage situés de chaque côté de l'aspirateur. Soulevez l'ensemble de tête du moteur.
3. Versez le contenu du tambour à poussière dans une poubelle appropriée.



Soufflerie

Votre aspirateur est muni d'une fonction de soufflerie; cela veut dire qu'il est capable de disperser la sciure de bois et d'autres débris. Il est excellent pour disperser la poussière et les débris hors d'un garage, d'une cour ou d'une allée. Suivez la procédure indiquée ci-dessous pour utiliser l'aspirateur comme une soufflerie.

1. Localiser l'orifice de soufflerie de votre aspirateur.
2. Insérer une extrémité du tuyau flexible de 1,22 mètre (4 pi) x 3,2 cm (1,25 po) dans l'orifice de soufflerie.
3. Mettre l'aspirateur en marche – l'aspirateur peut désormais être utilisé comme une soufflerie.

⚠ AVERTISSEMENT : il faut toujours porter des lunettes de protection respectant la norme ANSI Z87.1 (ou, au Canada, la norme CSA Z94.3) avant d'utiliser la soufflerie de façon autonome.

⚠ AVERTISSEMENT : pour éviter que les visiteurs ne soient blessés, demandez-leur de se tenir hors de la trajectoire des débris soufflés.

⚠ AVERTISSEMENT : porter un masque anti-poussière si la soufflerie produit de la poussière risquant d'être inhalée.

⚠ MISE EN GARDE : pour réduire le risque de dommage auditif, porter des protecteurs antibruit lorsque l'aspirateur est utilisé pendant très longtemps ou lorsqu'il est employé dans un endroit très bruyant.

Entretien

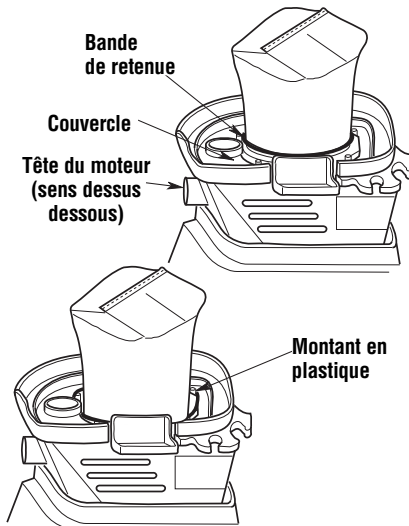
Filtre

Votre filtre doit être nettoyé souvent afin de maintenir la performance maximale de votre aspirateur.

REMARQUE : le filtre est fait d'un matériau de haute qualité conçu pour arrêter de petites particules de poussière. Lorsque vous retirez un filtre pour le nettoyer, ou lorsque vous installez un filtre de rechange, manipulez toujours ce filtre avec soin. Si vous avez l'intention de réutiliser un filtre, ne l'arrachez jamais pendant son retrait ou pendant sa mise en place.

Filtre facile à remplacer

1. Étendre l'élastique de retenue jusqu'à ce qu'il puisse être placé autour des montants en plastique sur le couvercle.
2. Retirez le sac filtrant de la cage du filtre.
3. Placer le filtre de rechange sur la cage à filtre jusqu'à ce que l'extrémité ouverte touche le fond du couvercle.
4. Relâcher l'élastique de retenue du montant en plastique sur le couvercle, tout en maintenant le sac de filtre fermement contre le couvercle.
5. Veiller à ce que l'élastique de retenue soit positionné sur le sac de filtre de façon à recouvrir la ligne imprimée noire.



IMPORTANT : pour éviter d'endommager la roue de la soufflerie et le moteur, remettez toujours le filtre en place avant d'aspirer des matériaux solides.

Mettez le filtre sale au-dessus d'une poubelle et brossez-le doucement pour enlever les petites particules de poussière qui peuvent adhérer au filtre.

IMPORTANT : après avoir nettoyé le filtre, vérifiez qu'il ne présente pas de déchirures ou de petits trous. Si vous détectez des trous ou des déchirures, n'utilisez pas le filtre. Même un trou de petite taille peut laisser beaucoup de poussière s'échapper de votre aspirateur. Remplacez le filtre immédiatement.

Installation

Avant d'installer le filtre sur l'aspirateur, nettoyez la surface du couvercle de façon à ce que l'élastique de retenue fasse adhérer le sac hermétiquement au couvercle et empêche les petites particules de contourner le sac de filtre.

Si le filtre est propre et non endommagé, remettez-le en place sur la cage à filtre. S'il ne peut pas être réutilisé, placez un nouveau filtre sur la cage à filtre.

Remettez l'élastique de retenue autour du filtre. Veillez à ce que l'élastique de retenue soit positionné sur le filtre et à ce que le filtre recouvre complètement la cage à filtre. De plus, veillez à ce que les rebords du filtre soient tout à fait assujettis par l'élastique de retenue.

REMARQUE : nettoyez le filtre dans un espace ouvert. Un tel nettoyage doit être effectué à l'extérieur, et non pas à l'intérieur d'un bâtiment.

⚠ AVERTISSEMENT : ne retirez pas la cage du filtre et le flotteur à leur place. Le flotteur empêche l'eau de pénétrer dans l'hélice et d'endommager le moteur. La cage empêchera les doigts d'entrer en contact avec l'hélice en train de tourner.

Nettoyage

Pour conserver l'esthétique optimale de votre aspirateur de poussières et de liquides, nettoyez la surface extérieure de l'aspirateur à l'aide d'un chiffon imbibé d'eau tiède savonneuse.

Procédure de nettoyage du tambour :

1. Vider les débris.
2. Nettoyez soigneusement le tambour à poussière à l'aide d'un savon doux et d'eau tiède.
3. Essuyer avec un chiffon sec.

Rangement

Vous devez vider et nettoyer le tambour à poussière avant de ranger votre aspirateur. Le cordon d'alimentation doit ensuite être enroulé autour de l'appareil et le tuyau doit être rangé de la façon décrite dans la section de ce mode d'emploi relative au rangement du cordon et du tuyau. Les accessoires doivent être rangés à proximité de l'aspirateur de façon à pouvoir les trouver facilement. L'aspirateur doit être rangé à l'intérieur d'un bâtiment.

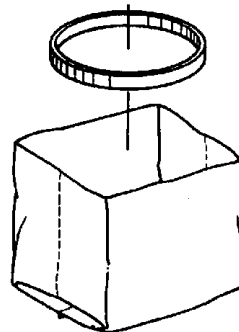
Localisation de la cause des problèmes

Problème	Cause	Solution
L'aspirateur n'aspire pas les déchets.	<ol style="list-style-type: none"> 1. Filtre bouché 2. Tuyau obturé 3. Fuite d'air 	<ol style="list-style-type: none"> 1. Nettoyez le filtre ou remplacez-le (en suivant les instructions de la page 34) 2. Retirez le tuyau et enlevez les débris. 3. Veillez à ce que la tête du moteur soit fermement assujettie au tambour à poussière.
L'aspirateur ne fonctionne pas.	<ol style="list-style-type: none"> 1. Pas d'électricité 	<ol style="list-style-type: none"> 1. Veillez à ce que la prise de courant soit sous tension (vous devrez peut-être faire appel à un électricien qualifié).

AVERTISSEMENT : au cas où les éléments de l'ensemble de tête du moteur seraient endommagés ou se détacheraient, exposant ainsi des éléments du moteur ou des composants électriques, vous devez cesser immédiatement d'utiliser l'aspirateur afin de réduire le risque de blessures personnelles ou d'endommagement supplémentaire de l'aspirateur. Cet aspirateur ne contient pas de composants pouvant être réparés par l'utilisateur.

Filtre de rechange

Vous pouvez vous procurer des filtres de rechange dans le magasin où vous avez acheté votre aspirateur. Le numéro de catalogue de ces filtres est VF2000.



Stinger™

WET/DRY VAC 2.5 GAL / 9.5 LITRE

ASPIRATEUR DE LIQUIDES ET DE POUSSIÈRES 9,5 litres/2,5 gallons

Numéro de modèle : WD20250

Garantie complète pendant un an

Si, pendant un an après la date de l'achat, cet aspirateur de liquides et de poussières cesse de fonctionner correctement à cause d'un défaut de matériau ou de façon, Emerson réparera l'aspirateur ou le remplacera gratuitement. Cette garantie ne couvre pas les filtres, qui sont considérés comme des pièces remplaçables par le client.

Ce produit n'est pas conçu pour un usage commercial.

Il est possible d'obtenir des réparations pendant la période de garantie en contactant simplement Emerson.

Ne pas retourner le produit à ce magasin.

Cette garantie s'applique exclusivement aux produits achetés aux États-Unis et au Canada.

Cette garantie vous confère des droits contractuels spécifiques, et vous disposez peut-être d'autres droits qui peuvent varier d'une province à l'autre.

Emerson
8100 West Florissant
St. Louis, MO 63136

N° de catalogue : WD2025

N° de modèle : WD20250

Le numéro de modèle et le numéro de série sont indiqués sur le côté gauche de la partie supérieure de l'aspirateur. Nous vous conseillons d'inscrire ces deux numéros dans un endroit sûr afin de pouvoir vous y référer à l'avenir.

QUESTIONS OU COMMENTAIRES?

TÉLÉPHONER AU 1-800-474-3443



EMERSON™

Professional Tools

Emerson Tool Company

Une division de

Emerson Electric Co.

© 2010 Emerson