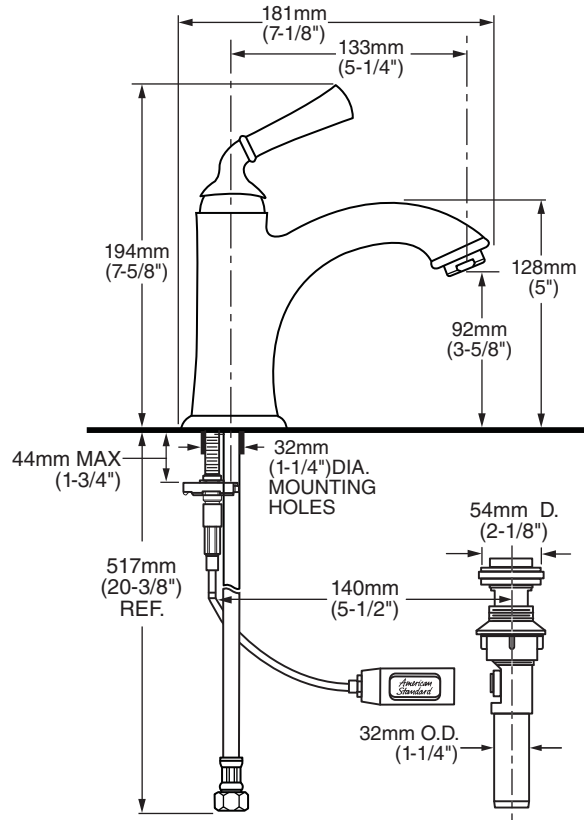


MODEL NUMBER:

- **7415.101 Single Control Lavatory**
 Metal Speed Connect® Pop-up drain.
 Metal Lever Handles.

AVAILABLE ACCESSORY:

- **7420.101P Escutcheon Plate Only**



GENERAL DESCRIPTION:

Cast brass body with metal lever handle. Washerless 28mm ceramic disc valve cartridge. Braided flexible supply hoses with 3/8" compression connectors. 20 inch (500mm) long flexible stainless steel drain cable is pre-assembled to spout. Metal Speed Connect® drain body with 1-1/4 inch (32mm) tail piece. 1.5 gpm/5.7L/min. maximum flow rate. Fitting can be mounted on 4" centers using optional escutcheon (7420.101P) or single hole mounting method.

PRODUCT FEATURES:

Brass Construction: Durable. Easy to clean. Ideal for prolonged contact with water.

Ceramic Disc Valve Cartridge: Assures a lifetime of smooth handle operation and drip-free performance.

Lead Free: Faucet contains ≤0.25% total lead content by weighted average.

Exclusive Speed Connect Metal Drain:

- Fewer parts. Installs in less time.
- No adjustments required - seals the first time, every time.
- Flexible stainless steel cable - installs effortlessly in tight spaces.

Choice of Finishes: Wide range of durable finishes.

SUGGESTED SPECIFICATION:

Single control lavatory faucet shall feature a cast brass spout and metal lever handle. Shall also feature washerless ceramic disc valve cartridge. Shall also feature a metal drain body with stainless steel cable actuation. Fitting shall be American Standard Model # 7415.101.____.

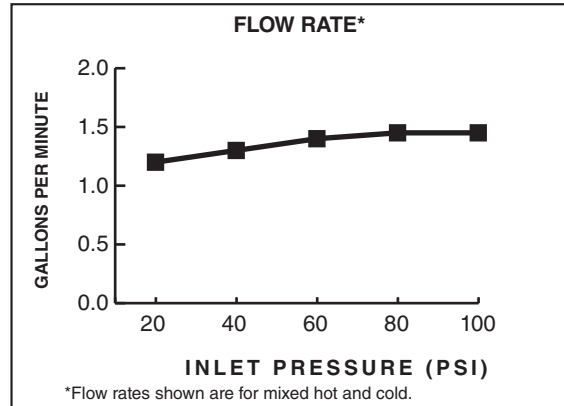


PORTSMOUTH®
SINGLE CONTROL LAVATORY FAUCET
WITH BRASS TRADITIONAL SPOUT

CODES AND STANDARDS

These products meet or exceed the following codes and standards:

- ANSI A117.1**
- ASME A112.18.1**
- NSF 61/Section 9 and Annex G**
- CSA B 125.1**



Product Number	Description	Finish Options		
		Polished Chrome	Oil Rubbed Bronze	PVD Satin Nickel
		002	224	295
7415.101	Portsmouth single control lavatory faucet. Metal Speed Connect® Pop-up drain.			
7420.101P	Optional Escutcheon Plate Only (For Mounting on 4" Centers)			

Meets the American Disabilities Act Guidelines and **ANSI A117.1** Requirements for the physically challenged.

AERATOR MODIFICATIONS***	Parts Suffix**
0.5gpm (1.9Lpm) PCA* Spray	___F05
0.5gpm (1.9Lpm) Vandal Resistant PCA Spray	___V05
1.0gpm (3.8Lpm) PCA Aerator	___F10
1.0gpm (3.8Lpm) Vandal Resistant PCA Aerator	___V10
1.5gpm (5.7Lpm) Vandal Resistant PCA Aerator	___V15

*PCA — Pressure Compensating

To modify a product, add suffix after the 4th digit (ex. 2064F05**101.002)

***Modified product models are **NOT** WaterSense certified.