



Technology that saves lives

Fire Alarm Stations

K-270 Series



S2318



7150-1657:
0111



APPROVED

Overview

Kidde K-270 Series Non-Coded Fire Alarm Stations are sturdy, attractive, and designed for economical installation.

The station is available in the following operational and functional designs:

- **The K-270 Series** provides a single action, break glass initiating station. It is available with normally open (N.O.), normally closed (N.C.) or combination N.O./N.C. contacts. The basic K-270 Series have screw terminals for field connection. The K-270A Series Manual Stations have 6 inch (150mm) wire leads.
- **The K-270P Series** is a break glass, normally open pre-signal station. The pull of the lever sounds an alarm on all pre-signal indicating devices. Inserting a key and turning it will initiate a general evacuation alarm. Screw terminals are provided for field connection.

All non-coded stations are designed for either flush or surface mounting. For flush mounting a 4 inch standard North American square box with single gang plaster cover should be used. For surface mounting the K-270 Series or K-270P Series, use a cast box, steel box, or housing for weatherproof enclosure.

Standard Features

- Pull lever
- Simple positive operation
- Break glass
- Attractive, streamline design
- Less than 5 lb pull force complies with ADA
- Solid, die-cast metal construction



Technology that saves lives

Contact us...

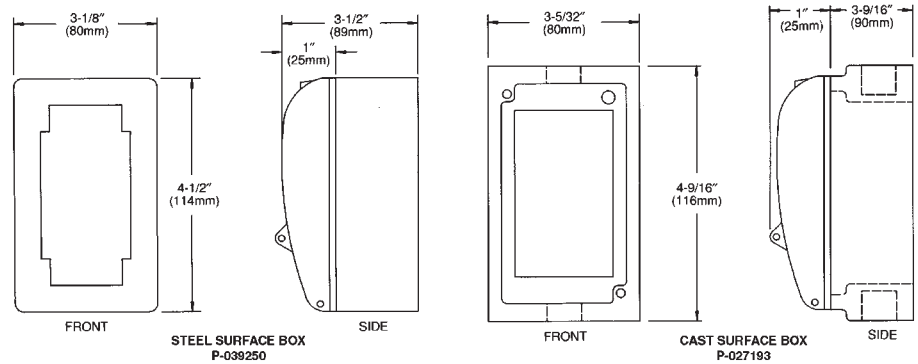
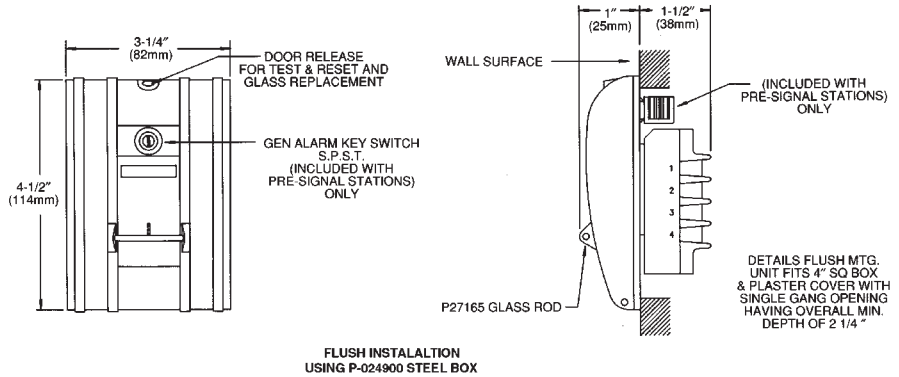
Email: kidde.fire@fs.utc.com

Web: Kidde.com/EngineeredSystems

Kidde is a UTC brand.
1016 Corporate Park Drive
Mebane, NC 27302

© 2016 United Technologies Corporation.
All rights reserved.

Mounting



Ordering Information

All models are fire alarm red with Aluminum Strips.
They are marked "Pull in Case of Fire" on the pull handle.

WARNING: These devices will not operate without electrical power. As fires frequently cause power interruptions, we suggest you discuss further safeguards with your local fire protection specialist.

Cat. No.	Marking (top of device)	Switch Contacts			Field Connections		Pre-Signal
		Single Pole	Double Pole	Open Circuit	Screw Terminals	Wire Leads	Pre-Signal
K-270-DPO	Fire Alarm		✓	✓	✓		
K-270-SPO	Fire Alarm	✓		✓	✓		
K-270A-DPO	Fire Alarm		✓	✓		✓	
K-270A-SPO	Fire Alarm	✓		✓		✓	
K-270P-DPO	Fire Alarm		✓	✓	✓		✓
K-270P-SPO	Fire Alarm	✓		✓	✓		✓