

Control and Pump Kits for SaniSpray HP™ 65 Portable Hopper Sprayer

3A7936B

EN

Use these instructions when replacing the control board or pump components for the SaniSpray HP 65 Portable Hopper Sprayer.



Important Safety Instructions

Read all warnings and instructions in this manual and in Operations manual before using the equipment. Be familiar with the controls and the proper usage of the equipment. Save all instructions.

Includes:

Control Board Replacement, page 8	25T416, 25T417
Pump Cartridge Replacement, page 10	25T418
Pump Inlet Valve Replacement, page 11	25T403
Prime Valve and Knob Replacement, page 11	25T415
Pressure Control Replacement, page 13	25T402



WARNING

ELECTRIC SHOCK HAZARD: To avoid serious injury, turn off and disconnect power cord before servicing the equipment.

Pressure Relief Procedure

Before servicing the sprayer, pump pressure must be relieved.



WARNING

SKIN INJECTION HAZARD: This equipment stays pressurized until pressure is manually relieved. To help prevent serious injury from pressurized fluid, such as skin injection or splashing fluid, follow the **Pressure Relief Procedure** whenever sprayer is stopped and before sprayer is cleaned or checked, and before equipment is serviced.


1. Turn ON/OFF switch to the **OFF** position.


2. Engage the trigger lock. Always engage the trigger lock when sprayer is stopped to prevent the gun from being triggered accidentally.
3. Turn Pressure Control Knob to the lowest setting.
4. Put drain tube into a pail and turn Prime/Spray Valve to PRIME position to relieve pressure.
5. Hold a metal part of the Spray Gun firmly to a grounded metal pail. Point Spray Gun into pail. Disengage the Trigger Lock and trigger the Spray Gun to relieve pressure.
6. Engage the trigger lock.
7. If you suspect the spray tip or hose is clogged or that pressure had not been fully relieved:
 - a. **VERY SLOWLY** loosen the spray tip guard retaining nut or the airless hose end coupling to relieve pressure gradually.
 - b. Loosen the nut or coupling completely
 - c. Clear airless hose or spray tip obstruction.

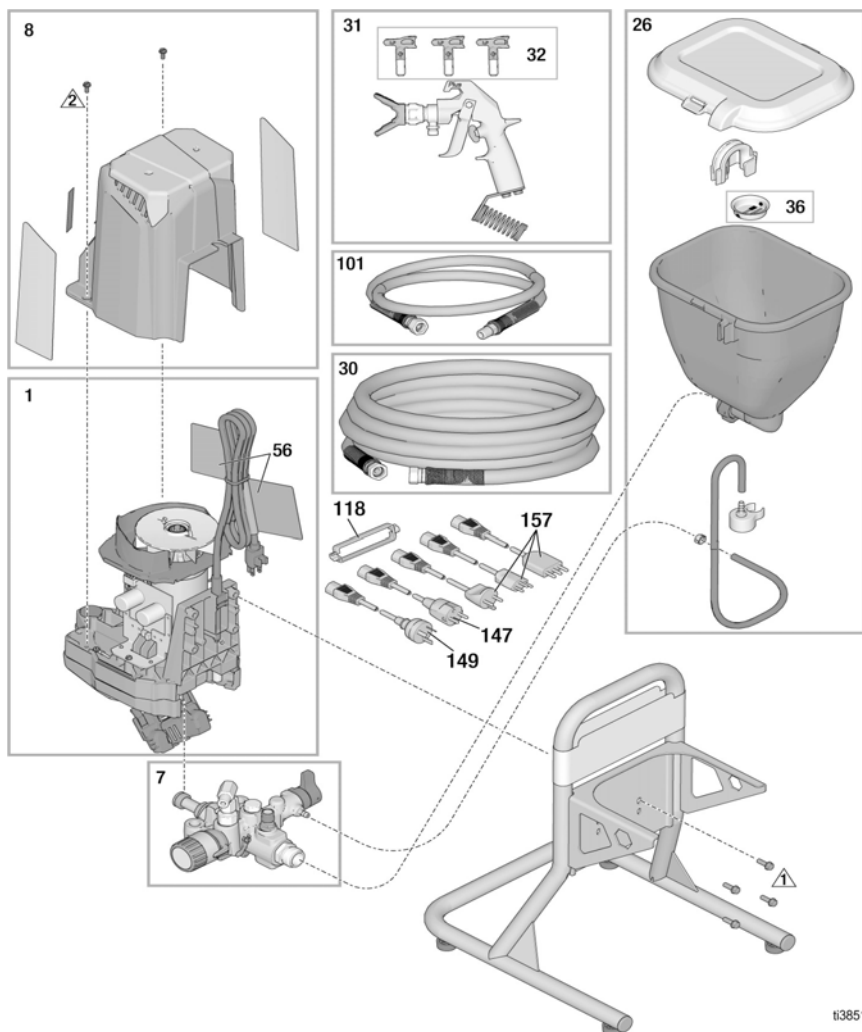
Use only genuine Graco replacement parts.

The use of non-Graco replacement parts may void warranty.

Parts - SaniSpray HP 65 (Quick Repair)

 Torque to 110-120 in-lb
(12.5-13.6 N•m)

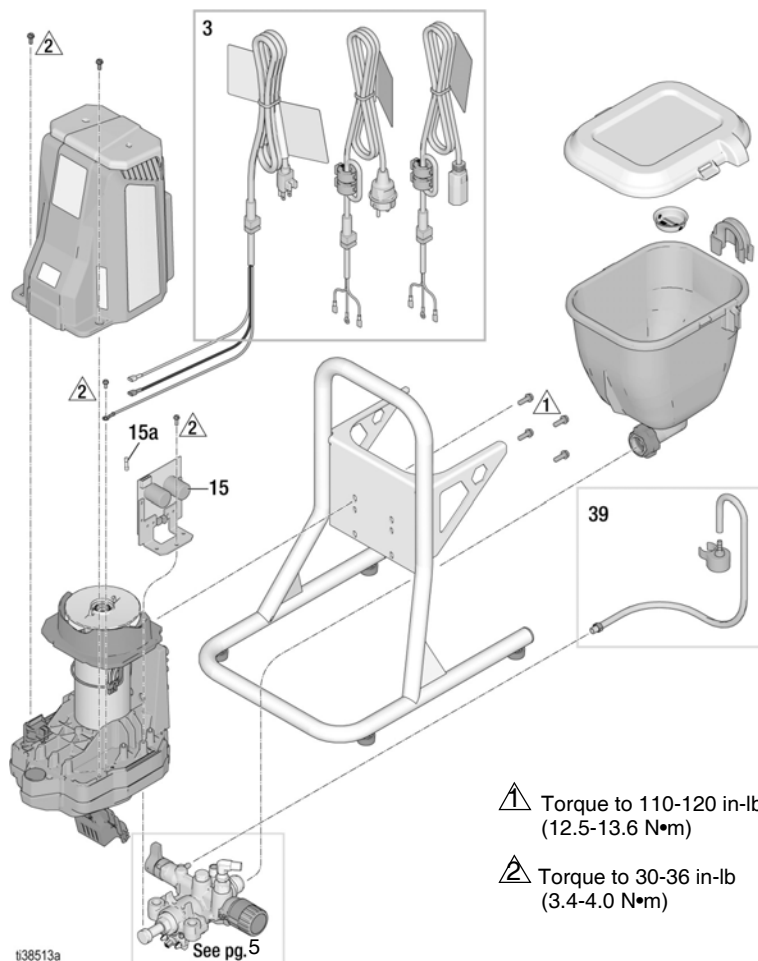
 Torque to 30-36 in-lb
(3.4-4.0 N•m)



Parts List - SaniSpray HP 65 (Quick Repair)

Ref.	Sprayer Model	Part	Description	Qty.
1	25R792, 25R962	25R921❖	KIT, motor, drive, HP65, 120V, <i>includes 56</i>	1
	25R946	25T291	KIT, motor, drive, 230V, CEE, <i>includes 56</i>	
	25R948, 25R954	25T292❖	KIT, motor, drive, 230V, multi, <i>includes 56</i>	
7	All	25R920	KIT, pump	1
8	All	25R922	KIT, enclosure	1
26	All	25R923	KIT, hopper	1
31†	25R792	25R874	GUN, SaniSpray, HP, NA	1
	25R946, 25R948	25T289	GUN, SaniSpray, HP, EU	
	25R954, 25R962	25T290	GUN, SaniSpray, HP, AP	
32	All	FFLP310	TIP, FFLP310	1
		LP515 †	TIP, LP515	
		LP617	TIP, LP617	
36	All	112133	SCREEN, hopper	1
56▲	All	25T410	KIT, warning labels, cord	1
60▲	All		CARD, medical alert (not shown)	1
		222385	English, Spanish, French	
		17F690	Dutch, German, Italian	
		17A134	English, Chinese, Korean	
		17R476	English, Spanish, Portuguese (Brazil)	
		26A997	English, Indonesian, Hindi	
		26A998	English, Chinese, Japanese	
98	All	25T282	EXTENSION, 15 in. (not shown)	1
99*	All	25R872	TIPSEAL, 5-pack (not shown)	1
101	All	25C828	HOSE, 1/8 in. x 4-1/2 ft.	1
118	25R948, 25R954	195551	PLUG, retaining	1
144	25R962	244285	CORDSET, Japan (not shown)	1
146	25R954	17N232	CORDSET, India (not shown)	1
147	25R948, 25R954	242001	CORDSET, EU Schuko	1
149	25R954	242005	CORDSET, ANZ	1
157	25R948	287121	CORDSET, Italy, Denmark, Switzerland	1
158	25R948	17J242	CORDSET, UK (not shown)	1
❖ Motor/Drive Kit 25R921 does not include cordset adapter for Japan. Cordset adapter must be ordered separate (see Ref. 144). Control Kit 25T292 does not include cordset adapter. Cordset adapter must be ordered separate (see Ref. 146-158).				
* Two extra TipSeals (polymer spray tip seals) are included with the sprayer. For disinfectant applications, use TipSeal (polymer spray tip seal) instead of the OneSeal (metal seal) that is included with the replacement spray tips.				
† SaniSpray HP Gun includes LP515 Spray Tip.				
▲ Replacement safety labels, tags, and cards are available at no cost.				

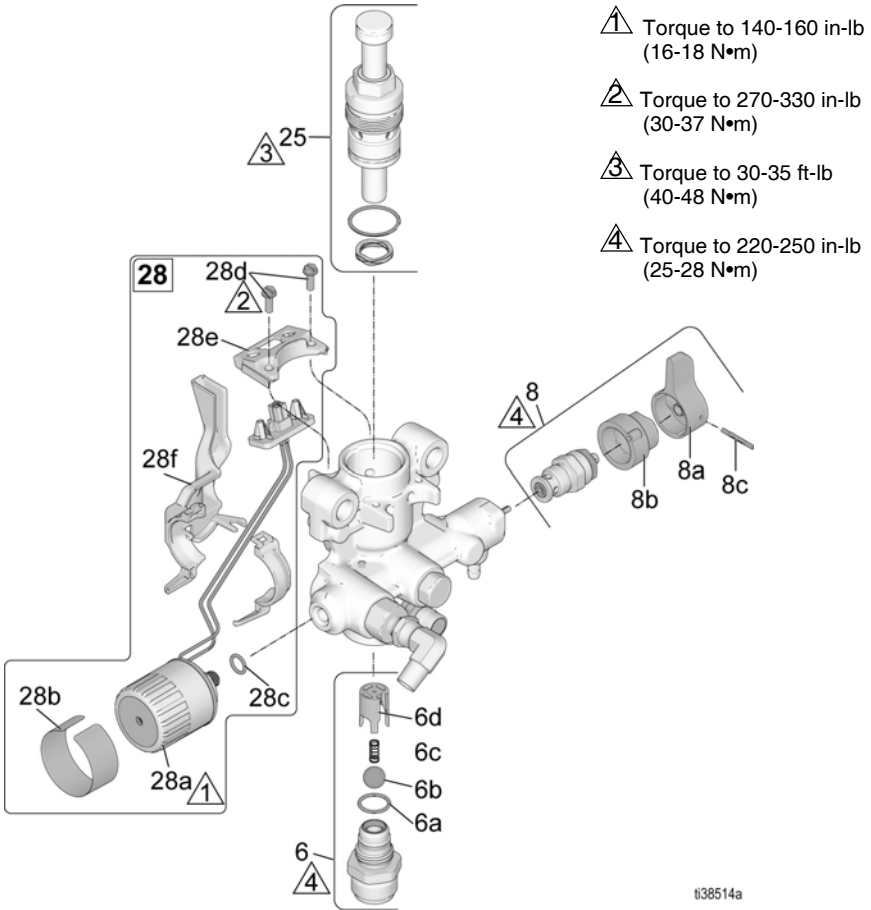
Parts - SaniSpray HP 65 (Extended Repair)



Ref.	Sprayer Model	Part	Description	Qty.
3	25R792, 25R962	25T294	CORD, power, USA	1
	25R946	17J175	CORD, power, EU Schuko	
	25R948, 25R954	17L301	CORD, power, Multicord	
15	25R792, 25R962	25T416	BOARD, control, 100-120V, <i>includes 15a</i>	1
	25R946, 25R948, 25R954	25T417	BOARD, control, 220-240V, <i>includes 15a</i>	
15a	25R792, 25R962	119276	FUSE, 12.5A slow blow, 100-120V	1
	25R946, 25R948, 25R954	129882	FUSE, 6.3A slow blow, 220-240V	
39	All	17K336	TUBE, drain, assembly	1
56▲	All	25T410	KIT, warning labels, cord	1

▲ Replacement safety labels, tags, and cards are available at no cost.

Parts - SaniSpray HP 65 (Pump Repair)



1138514a

Ref.	Sprayer Model	Part	Description	Qty.
6	All	25T403	KIT, inlet valve assembly	1
8	All	25T415	KIT, prime valve	1
25	All	25T418	KIT, pump cartridge	1
28	All	25T402	KIT, control, pressure	1

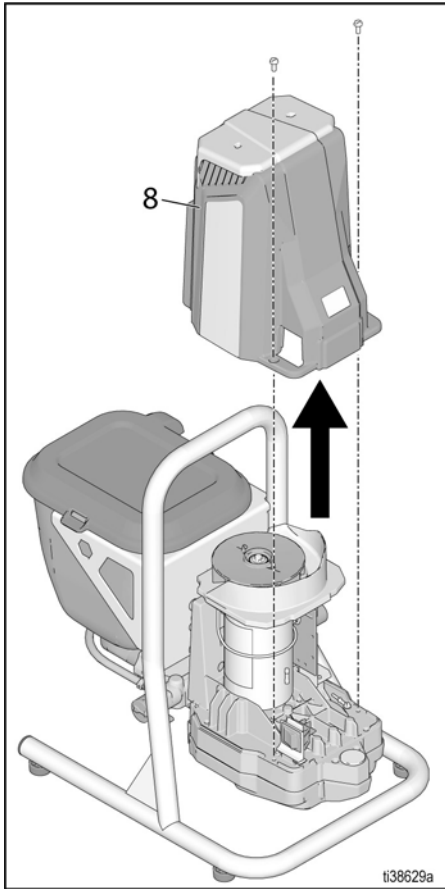
Motor Shield Removal/Installation

Disassembly

1. Perform **Pressure Relief Procedure**, page 1.
2. Disconnect power cord.

Remove Motor Shield

3. Remove two machine screws and motor shield (8).



Install Motor Shield

1. Install motor shield (8) using the two screws removed earlier. Make sure the motor shield slides into the switch bracket. Be careful not to pinch cable when installing the motor shield.

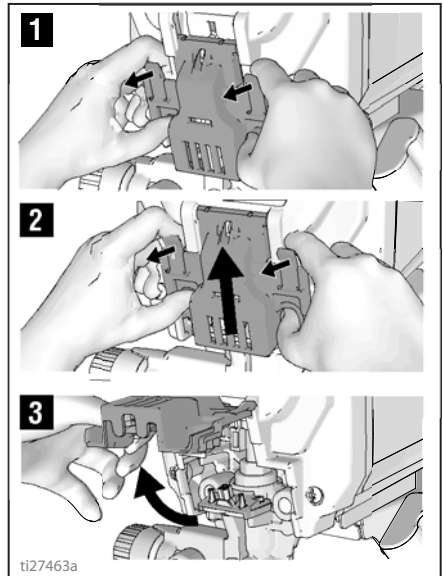
Pump Removal/ Installation

Remove Pump

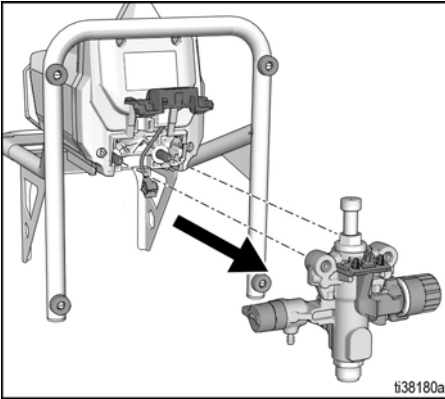
1. Perform **Pressure Relief Procedure**, page 1.
2. Disconnect power cord.
3. Remove the hopper.
4. Remove airless hose, if attached.
5. Re-position sprayer to access the easy access door.

Open Easy Access Door

6. Pull tabs on sides of the easy access door towards you while pushing the entire door away from the inlet end of the pump.
7. Now lift the easy access door so it swivels out of the way.

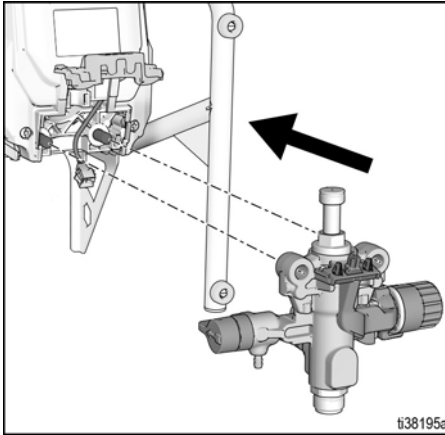


- Slide pump assembly off the mounting pins.

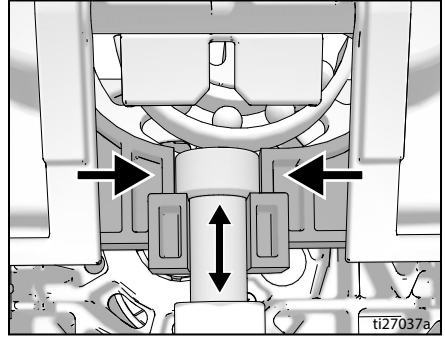


Install Pump

- Slide pump assembly onto the mounting pins.

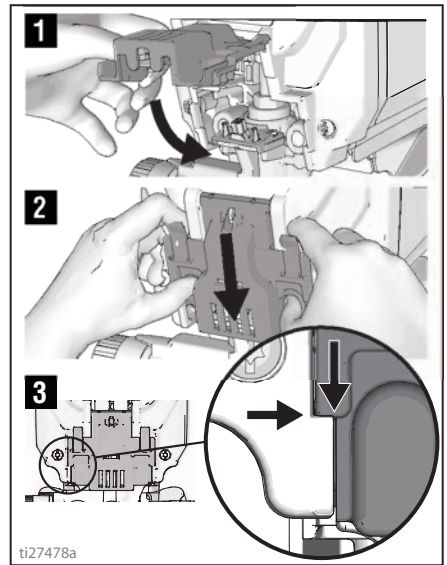


- Move pump displacement rod up or down until cap is level with the opening in the yoke.



Close Easy Access Door

- Swing easy access door closed and push down to latch into pump.



NOTE: Door must be fully closed and latched before sprayer will operate.

- Install hopper and the hoses removed earlier.
- Perform **Assembly Verification**, page 13.

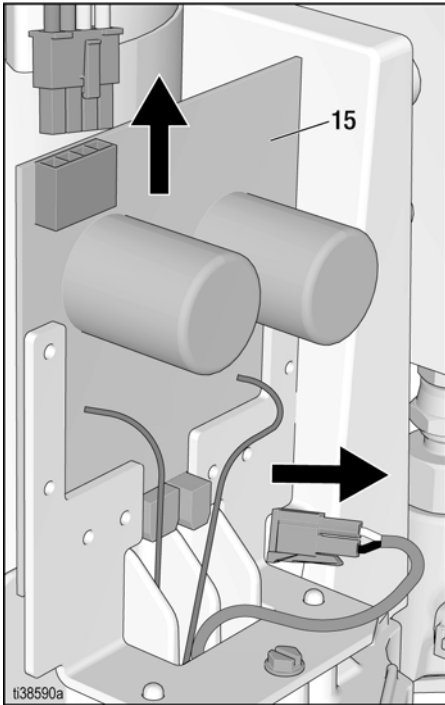
Control Board Replacement

Refer to **Wiring Diagrams**, pages 14 and 15.

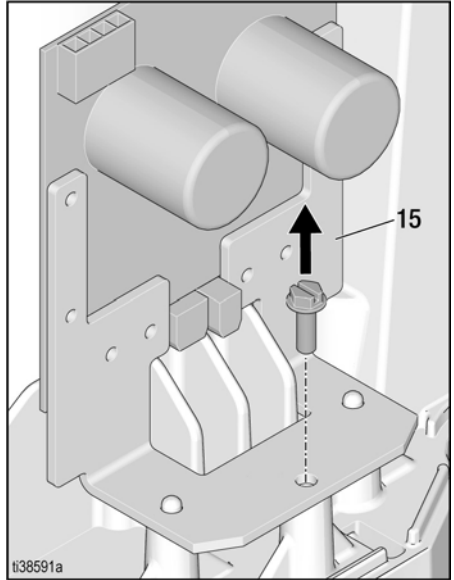
Note color and location of all wires connected to the control board before you start the control board replacement.

Removal

1. Perform **Pressure Relief Procedure**, page 1.
2. Disconnect power cord.
3. **Remove Motor Shield**, page 6.
4. Disconnect pressure switch and motor connector from control board (15).

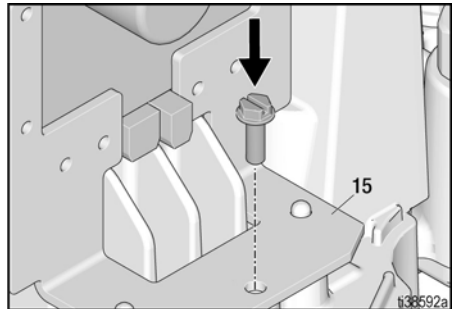


5. Disconnect ON/OFF switch and power cord (3) connectors from control board (15) leads.
6. Remove screw securing control board (15) to drive housing.

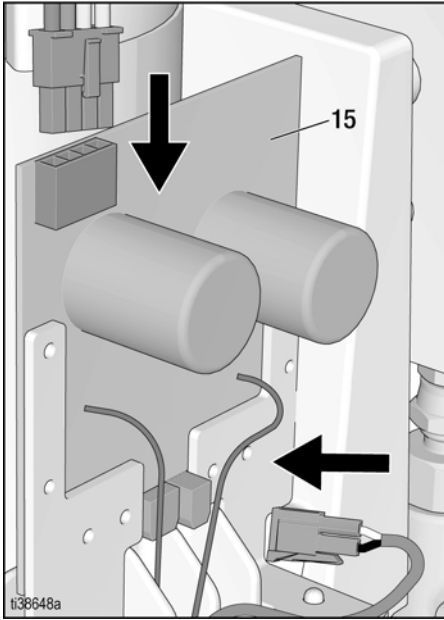


Installation

1. Carefully slide new control board (15) into place on the side of the driving housing. Secure the screw and torque. See **Parts - SaniSpray HP 65 (Extended Repair)**, page 4.



2. Reconnect ON/OFF Switch and power cord (3) connectors to the control board (15) leads.
3. Reattach pressure switch and motor connector to control board (15).



4. **Install Motor Shield**, page 6.
5. Perform **Assembly Verification**, page 13.

Fuse Replacement

If fuse is blown, check for:

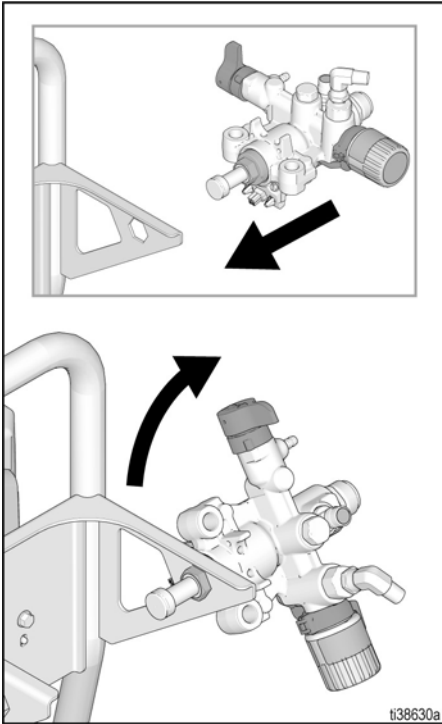
- Pinched or shorted wires
- A defective motor
- A locked or frozen pump

1. Perform **Pressure Relief Procedure**, page 1.
2. Disconnect power cord.
3. **Remove Motor Shield**, page 6.
4. Remove fuse (15a) from control board (15).
5. Install new fuse (15a) on control board (15).
6. **Install Motor Shield**, page 6.
7. Perform **Assembly Verification**, page 13.

Pump Cartridge Replacement

Disassembly

1. Remove Hopper and Pump from sprayer. See **Remove Pump**, page 6.
2. Insert hex end of pump into hex tool in the sprayer frame and turn counterclockwise to loosen assembly.



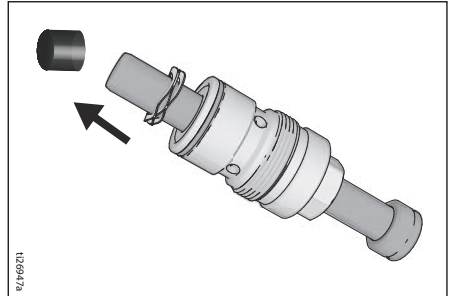
3. Remove entire packing assembly from pump housing including the packing spring.

Assembly

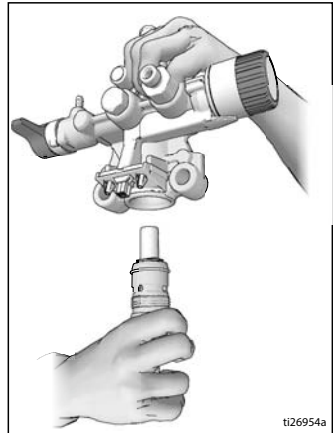
1. On the new pump cartridge, remove protective cap from the end of the piston rod.

NOTICE

Be careful not to lose the packing spring that is installed on the pump rod. Operation without the packing spring will cause early pump failure.



2. While holding the pump body upside down, start threading the new packing assembly in by hand.



3. Insert hex end of pump into hex tool in the sprayer frame and tighten. Recommended torque is 300 in-lb (35 N•m).
4. **Install Pump** onto sprayer, see page 7.
5. Perform **Assembly Verification**, page 13.

Pump Inlet Valve Replacement

See **Parts - SaniSpray HP 65 (Pump Repair)**, page 5, for pump assembly diagram.

Disassembly

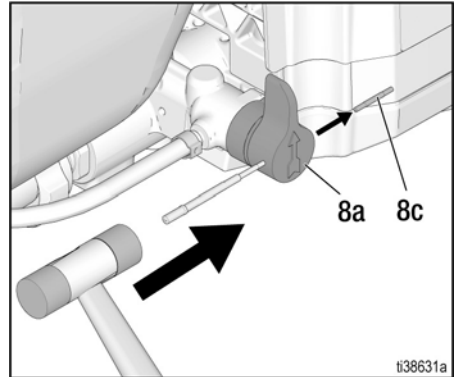
1. Perform **Pressure Relief Procedure**, page 1.
2. Disconnect power cord.
3. Remove the hopper.
4. Remove inlet valve fitting (6) from pump housing and discard. Make certain inlet ball (6b), spring (6c), and ball guide (6d) are removed from pump housing.
5. Clean all dried residue from around pump inlet sealing area in pump housing.

Assembly

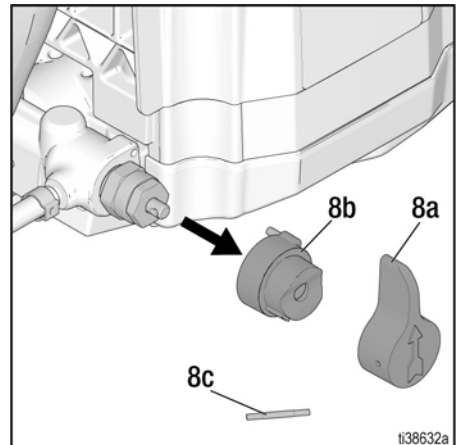
1. Assemble ball guide (6d), spring (6c), and ball (6b) into pump housing (1).
 - a. The ball guide (6d) is keyed for proper alignment.
 - b. Make certain the bump on the ball guide (6d) is aligned with the slot in the pump housing. Slide ball guide (6d) into pump housing.
 - c. Install spring (6c) over ball stop pin in the ball guide (6d).
 - d. Install ball (6b) into ball guide (6d).
2. Make certain o-ring (6a) is installed on inlet valve housing (6).
3. Thread new inlet valve housing into pump housing and torque. See **Parts - SaniSpray HP 65 (Pump Repair)**, page 5, for torque.
4. Use a pencil or similar object to push on the ball (6b) through the inlet valve intake to make sure the ball moves freely.
5. Re-install the hopper.
6. Perform **Assembly Verification**, page 13.

Prime Valve and Knob Replacement

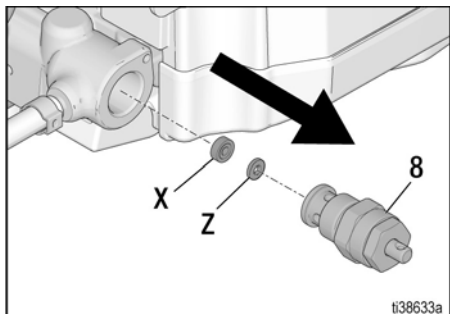
1. Perform **Pressure Relief Procedure**, page 1.
2. Disconnect power cord.
3. Turn knob (8a) up to **SPRAY** position.
4. Remove pin (8c) with pin punch and hammer.



5. Remove knob (8a) and base (8b).

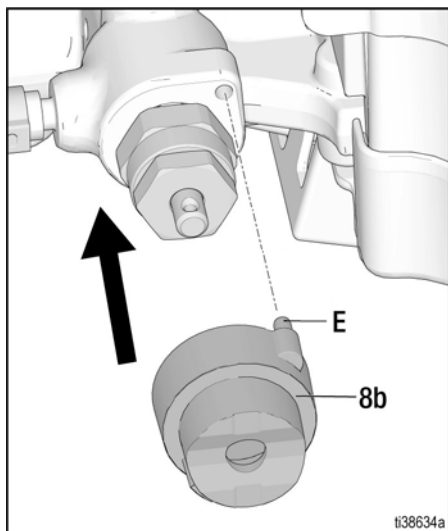


- Remove valve stem assembly (8) from pump housing. Make certain gasket (X) and seat (Z) do not stay in pump housing.

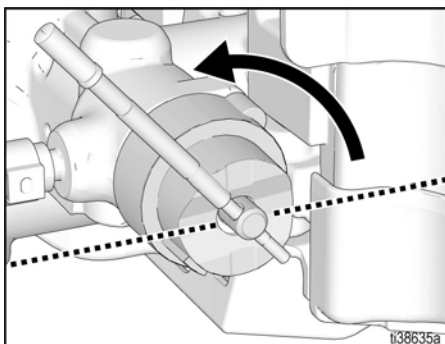


Assembly

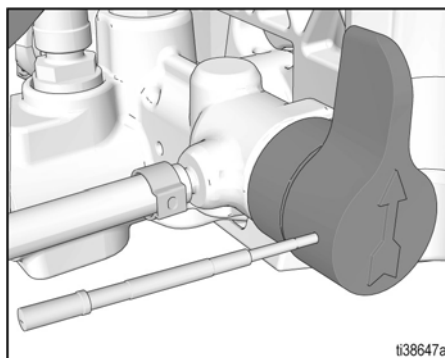
- Apply sealant (provided in kit) to valve threads. Install valve stem assembly in pump manifold and torque. See **Parts - SaniSpray HP 65 (Pump Repair)**, page 5, for torque.
- Install base (8b) on valve, aligning pin (E) in base (8b) with hole on pump housing.



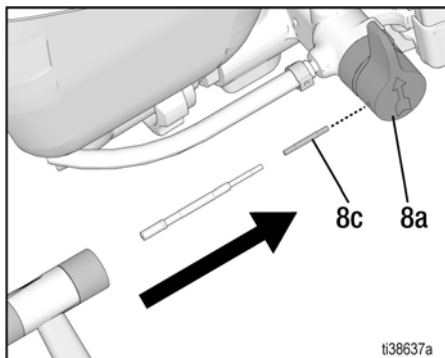
- Rotate valve stem with a pin punch until hole is horizontal.



- Install knob (8a) over base (8b).
- Place knob in **SPRAY** position.
- Insert end of pin punch through hole in knob (8a), to make sure knob and valve stem are aligned.



- Apply small amount of grease to pin. Install pin (8c) through hole in knob (8a). Tap pin through knob with hammer. End of pin will be flush with knob when correctly installed.



- Perform **Assembly Verification**, page 13.

Pressure Control Replacement

See **Parts - SaniSpray HP 65 (Pump Repair)**, page 5, for pump assembly diagram.

Disassembly

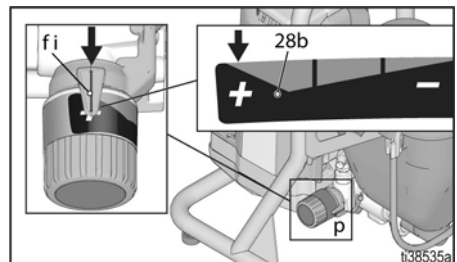
1. **Remove Pump** from sprayer, see page 6.
2. Remove wire shield (28f).
 - Unsnap the wire shield.
 - Remove retaining screw from pump housing.
 - Note wire routing, wires on new pressure control will be routed the same way.
 - Save wire shield.
3. Remove the two screws (28d) from electrical connector bracket (28e). Save the screws.
4. Turn Pressure Control Knob fully counterclockwise to expose the wrench flats. Remove pressure control (28a) with wire and electrical connector bracket (28e). Verify the o-ring (28c) has been removed from the pump housing.

Assembly

1. Examine pressure control (28a) to verify the o-ring (28c) is on the pressure control. If o-ring is not installed on pressure control, install o-ring.
2. Apply one or two drops of thread locking adhesive (included in kit) to threads of pressure control (28a). Assemble pressure control (28a) into pump housing and torque. See **Parts - SaniSpray HP 65 (Pump Repair)**, page 5, for torque.
3. Route wire from pressure control (28a) with electrical connector bracket (28e) along pump housing to mounting location.
4. Secure electrical connector bracket (28e) to pump housing with two screws removed earlier and torque. See **Parts - SaniSpray HP 65 (Pump Repair)**, page 5, for torque.

5. Install wire shield (28f).
 - Make certain wire is under wire shield (28f).
 - Snap the wire shield around the pump housing.
 - Install retaining screw for wire shield into pump housing.
6. Turn Pressure Control Knob clockwise as far as it will go. Apply pressure control label (28b) to knob. To position label correctly, see note below:

NOTE: When properly positioned, the function indicator (fi) and (+) position symbol on the pressure control label (28b) are aligned.



7. **Install Pump** onto sprayer, see page 7.
8. Perform **Assembly Verification**, page 13.

Assembly Verification

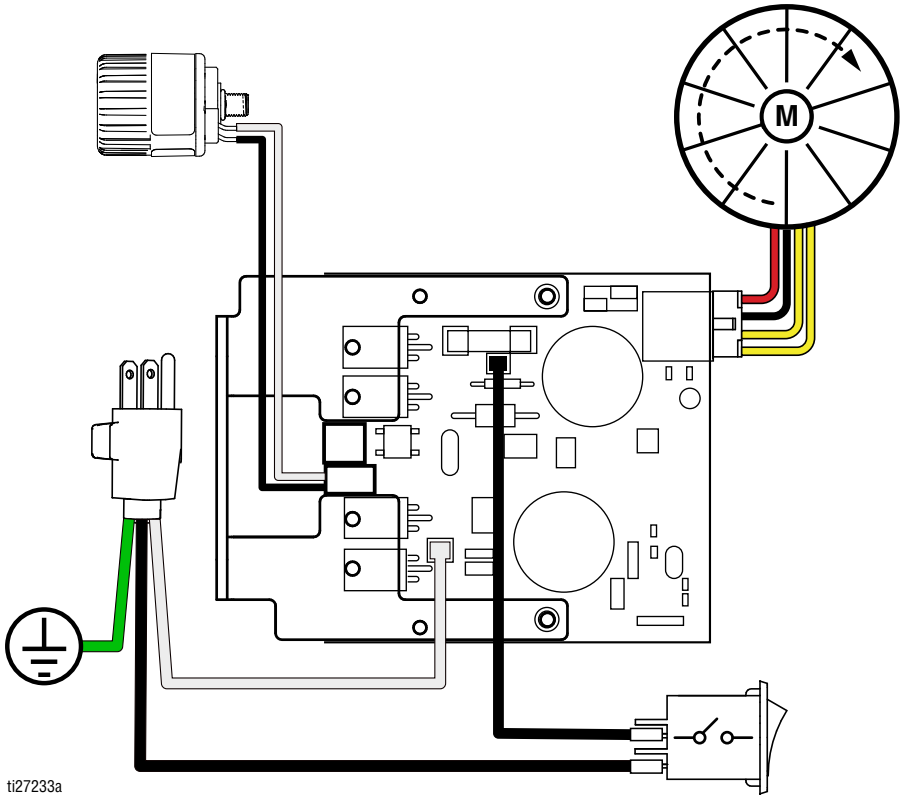
After assembly is complete, perform the following steps to verify proper operation. If sprayer fails one of the steps, repeat sprayer repair procedures.

- Rotate Prime/Spray Valve to make sure it rotates forward to the spray position and down to the prime pump position.
- Fill cup assembly with water and verify sprayer primes and sprays. Follow setup instructions in sprayer operation manual for proper priming and spraying procedure.

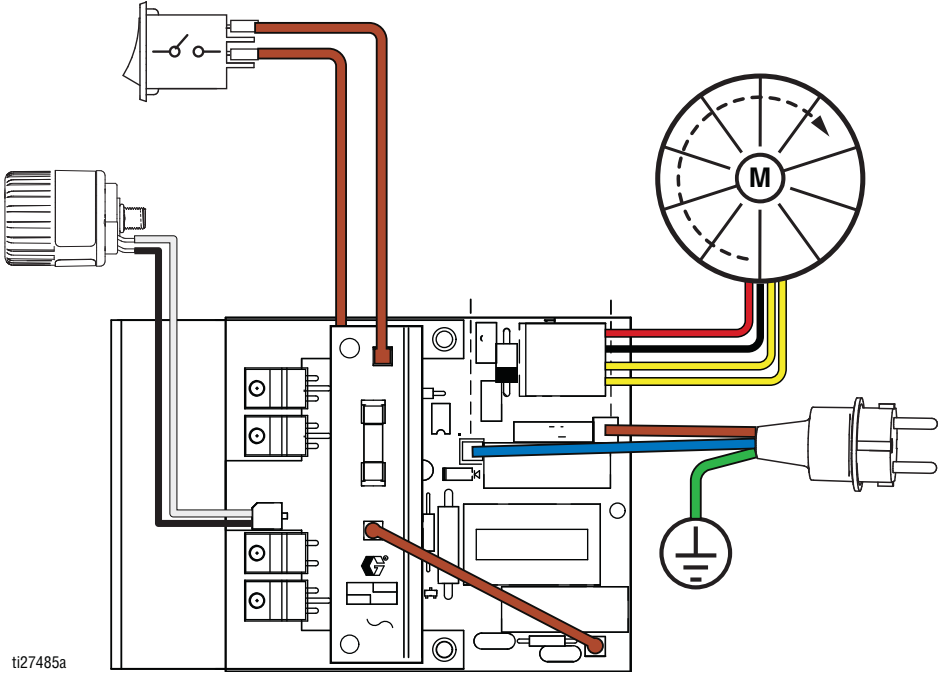
Wiring Diagrams

Wiring Diagrams

100-120V



220-240V



Graco Information

For the latest information about Graco products, visit www.graco.com.

For patent information, see www.graco.com/patents.

TO PLACE AN ORDER, contact your Graco distributor or call 1-800-690-2894 to identify the nearest distributor.



All written and visual data contained in this document reflects the latest product information available at the time of publication. Graco reserves the right to make changes at any time without notice.

Original instructions. This manual contains English. MM 3A7936

Graco Headquarters: Minneapolis
International Offices: Belgium, China, Japan, Korea

GRACO INC. AND SUBSIDIARIES • P.O. BOX 1441 • MINNEAPOLIS MN 55440-1441 • USA

Copyright 2020, Graco Inc. All Graco manufacturing locations are registered to ISO 9001.

www.graco.com

Revision B, February 2021