

## PRODUCT FEATURES

- Features a sleek back plate for a clean minimal appeal
- Can be mounted vertically or horizontally
- ADA compliant
- Ideal for vanities and bathrooms
- All lamping options are fully dimmable to create the desired ambiance in any space
- Protected by a 1-year warranty



## LAMPING

May be mounted vertically or horizontally. Incandescent includes five 120 volt 40 watt C9 base halogen lamps. LED version includes 22 watt, 780 delivered lumens, 3000K 90 CRI module. Incandescent version dimmable with standard incandescent dimmer. LED version dimmable with most LED compatible ELV and TRIAC dimmers. 277V compatible with 0-10V dimmers. ADA compliant.

White



White

## ORDERING INFORMATION

700BCSLC26W COLOR	FINISH	LAMP
WHITE	Z ANTIQUE BRONZE	INCANDESCENT 120V (T20)
	C CHROME	-LED930 LED 90 CRI 3000K 120V (T20/T24)
	S SATIN NICKEL	-LED930-277 LED 90 CRI 3000K 277V (T20/T24)

700BCSLC26W \_\_\_\_\_

JOB NAME \_\_\_\_\_

NOTES \_\_\_\_\_

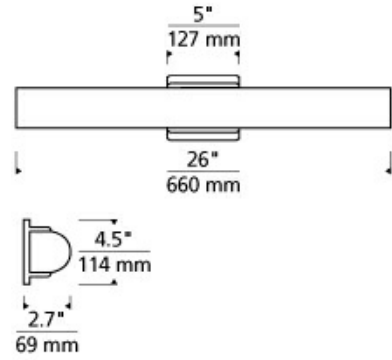


# SOLACE BATH



## SPECIFICATIONS

HARDWARE MATERIAL	Metal
SHADE MATERIAL	Glass
NET WEIGHT	7 lbs
HEIGHT	4.5in
WIDTH	2.7in
LENGTH	26in
WET LISTED	
DAMP LISTED	
DRY LISTED	
SLOPED CEILING ADAPTABLE?	No
GENERAL LISTING	ETL Listed
INCLUDES	



## LAMPING SPECIFICATIONS

	LED LAMP	INTEGRATED LED	NON LED	NO LAMP
DELIVERED LUMENS				
WATTS			40	
MAX WATTAGE PER BULB			40W	
INPUT VOLTAGE			120V	
DIMMING TYPE*				
CCT				
CRI				
LED LIFETIME				
L70				
AVERAGE BULB HOURS				
FIELD SERVICEABLE LED				
LAMP BASE				
LAMP SHAPE				
LAMP INCLUDED?			Y	
WARRANTY**				

\*Dimming information available at [www.techlighting.com/Downloads#dimming](http://www.techlighting.com/Downloads#dimming)  
 \*\* Visit [techlighting.com](http://techlighting.com) for specific warranty limitations and details.

## T20 / T24 INFORMATION

	Integrated LED	Replacement LED Lamp	No Lamp *
This product can be used to comply with California Building Energy Efficiency Standards 2016 Title 24 Part 6.			
This product can be used to comply with California Appliance Efficiency Standards 2016 Title 20 and may be shipped to and sold in California.			

\* If a light fixture or component does not include a lamp or light source, it is the responsibility of the customer to select a lamp that meets the T24 and T20 requirements.

