



US-MW5-43 / US-MW5-50-NC

US-MW3-44 / US-MW3-00-NC

Food Waste Disposer Instruction Manual

3-Bolt Mounting System

- NOTE:** This food waste disposer has been designed to operate on 110-120 Volt, 60 Hz exclusively. Using any other voltage or Hz adversely affects performance.
- IMPORTANT:** Read all instructions thoroughly. Keep this guide for future reference.
- CAUTION:** Be sure to review SAFETY INSTRUCTIONS PERTAINING TO A RISK OF FIRE, ELECTRICAL SHOCK, OR INJURY TO PERSONS before using disposer.
- SEPTIC SAFE:** Septic safe for properly sized and maintained septic systems.

See insert for specific information about your new disposer.

Record important disposer information here:

Model Number*	Serial Number*

*Above information appears on the label affixed to bottom of the disposer. For your convenience, write down the model and serial number prior to installation.

IMPORTANT SAFETY INFORMATION

INSTRUCTIONS PERTAINING TO A RISK OF FIRE, ELECTRIC SHOCK OR INJURY TO PERSONS. SAVE THESE INSTRUCTIONS.

⚠ WARNING

When using electrical appliances, basic precautions should always be followed, including the following:

1. Read all instructions before using the appliance.
2. To reduce the risk of injury, close supervision is necessary when an appliance is used near children.
3. Do not put fingers or hands into a waste disposer.
4. Turn the power switch to the off position before attempting to clear a jam or remove an object from the disposer.
5. In the rare instance a jam does occur, you need only rotate the turntable forward and back using a long-handled item in order to dislodge the jammed object.
6. When attempting to remove objects from a waste disposer use long-handled tongs or pliers. If the disposer is magnetically actuated, non-magnetic tools should be used.
7. To reduce the risk of injury by materials that may be expelled by a waste disposer, do not put the following into a disposer: clam or oyster shells; caustic drain cleaners or similar products; glass, china or plastic; large whole bones; metal, such as bottle caps, tin cans, aluminum foil or utensils; hot grease or other hot liquids; whole corn-husks.
8. When not operating a disposer, leave the stopper in place to reduce the risk of objects falling into the disposer.
9. DO NOT operate disposer unless splash guard is in place.
10. For proper grounding instructions see the ELECTRICAL CONNECTIONS portion of this manual.
11. If the supply cord is damaged, it must be replaced by the manufacturer, its service agent, or authorized person in order to avoid hazard.
12. This appliance is not intended for use by persons (including children) with reduced physical, sensory or mental capabilities, or lack of experience and knowledge, unless they have been given supervision or instruction concerning use of the appliance by a person responsible for their safety.
13. Children should be supervised to ensure that they do not play with the appliance.

The receptacle to which this appliance is connected must be controlled by a switch.

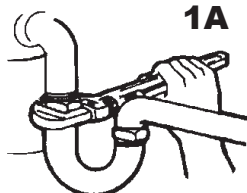
INSTALLATION

1. REMOVAL OF OLD UNIT TYPICAL INSTRUCTIONS, YOUR MODEL MAY VARY.

Before starting this step, turn off electrical power at the circuit breaker or fuse box. Unplug disposer.

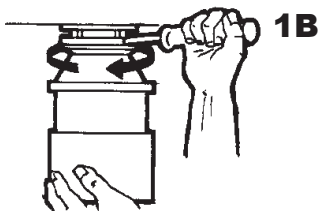
If your installed mount is the same type as the mount on your new disposer and you wish to continue to use the already installed mount, proceed to section 3 on the Connection page. If your new mount system is different or if you wish to use the new mount, follow these instructions:

- A. Have a container available to catch any excess water/ waste from current disposer. Use a pipe wrench to disconnect drain line where it attaches to disposer discharge elbow (see 1A).



1A **Note:** When installing the new replacement disposer, the supplied rubber gasket and screw set must be used with either the supplied or existing elbow.

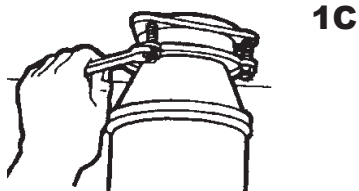
- B. Remove disposer from sink flange by turning mount ring to the left clockwise (see 1B). If you are unable to turn the mount ring, tap on one of the extensions from the ring with a hammer. Some mounting systems have tubular extensions. Inserting a screwdriver into one tube will provide additional leverage for turning the mount ring (see 1B).



- C. Some disposers may require the removal or

loosening of nuts from the mount screws (see 1C). Some disposers may require the removal of a clamp.

- D. To remove remaining mount system from the sink, loosen mount screws, push mount ring up. Under it is the retainer ring. Use screwdriver to pop off ring

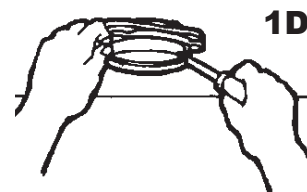


⚠ CAUTION

Be sure to support the disposer while performing this step or it may fall when the mounting ring is disconnected from the mounting assembly.

(see 1D). Remove mount ring, protector ring and gasket from sink flange. Some mounts will require the unscrewing of a large ring holding the sink flange in place. Pull sink flange up through sink and clean off old putty from sink.

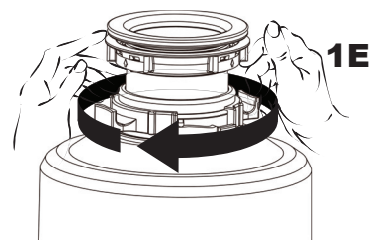
- E. Ensure that sink is clean and thoroughly dry.



If you have a mount system under the sink that is black plastic with threads:

- A. While holding the disposer in place, turn the metal mount ring clockwise (1E). If it is hard to turn, tap the ear of the mount ring clockwise.
- B. When the disposer hopper projections get close to the mount ring opening, hold the disposer from bottom and disengage it from the mount ring.
- C. Remove the rubber cushion mount from under the mount ring.
- D. Remove the mount ring. Unthread the black support ring from sink flange by turning the support ring clockwise. Remove the fiber gasket and then remove the sink flange from above the sink.
- E. Ensure that sink is clean and thoroughly dry.

Mount With Threaded Flange


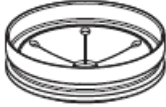










➡ IMPORTANT

This is a good time to clean out the trap and drain lines by running a drain auger or plumber's snake before installing your new disposer.

INSTALLATION (CONTINUED)

2. INSTALLATION OF MOUNTING ASSEMBLY

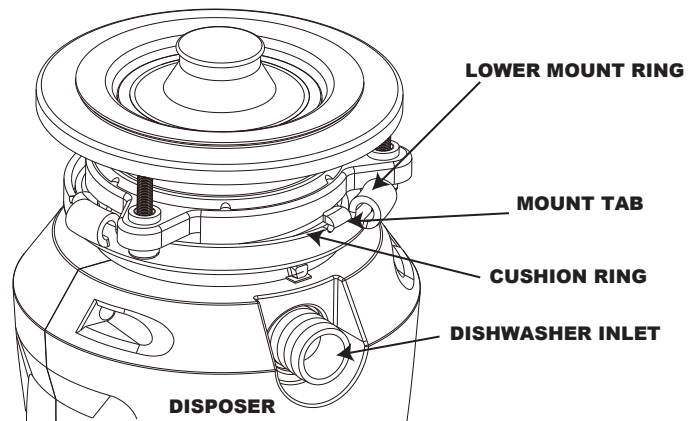
A		STOPPER
B		REMOVABLE SPLASH GUARD
C		SINK FLANGE
D		FIBER GASKET
E		SUPPORT FLANGE
F		UPPER MOUNT RING
G		MOUNT SCREWS
H		RETAINER RING
I		CUSHION RING
J		LOWER MOUNT RING*

* Part not disengaged during disposer installation.

READ CAREFULLY AND COMPLETELY BEFORE STARTING

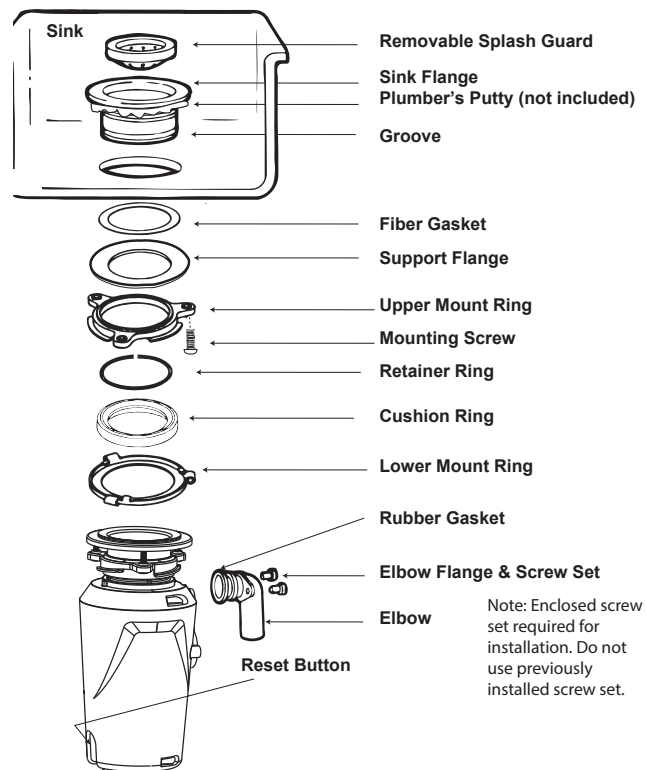
NOTE

As the mounting assembly is properly assembled at the factory, please pay close attention to the order of the mounting system parts.



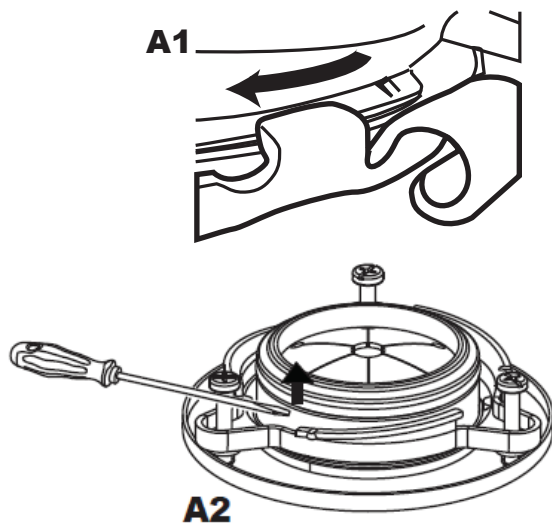
NOTE

Cushion Ring included between the Upper Mount Ring and Lower Mounting Ring.

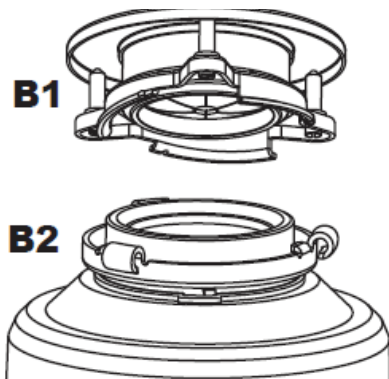


INSTALLATION (CONTINUED)

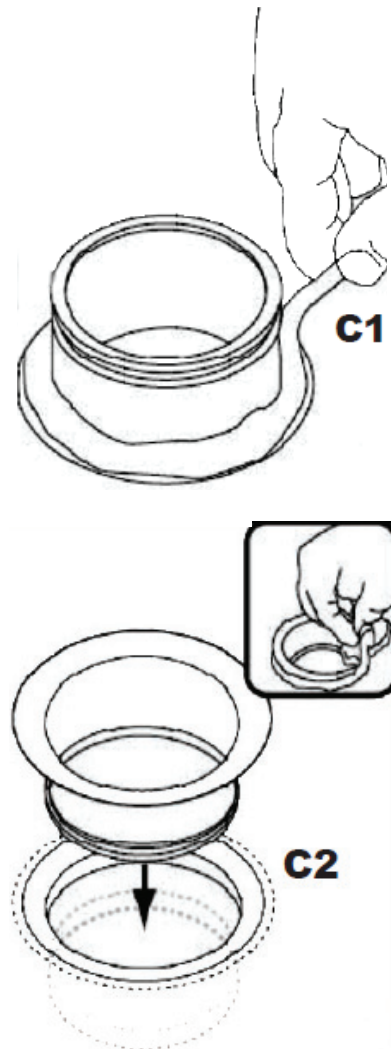
A. The Cushion Ring and the Lower Mount Ring will remain attached to the disposer during installation. Take apart the other parts of the mounting assembly by rotating the Lower Mount Ring clockwise until the Lower Mount Ring Tabs slide off from the Upper Mount Ring ramp (see A1). This allows you to pull the Sink Flange up and out of the remaining Lower Mount Assembly. Note the order of these parts as they are arranged in the required order. Unscrew the 3 Mount Screws until the Upper Mount Ring can be moved to the top of the Support Flange. Remove the Retainer Ring with a flat head screw driver (see A2).



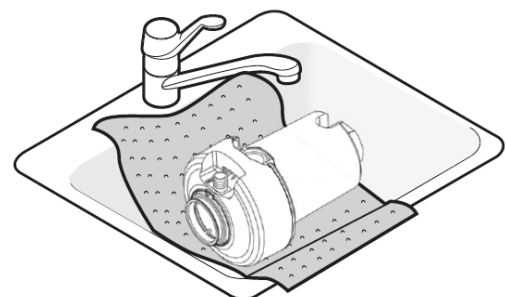
B. Keep the remaining parts placed together in the order they were removed (see B1). Before you connect the disposer to the mount assembly under the sink, make sure the Lower Mount Ring is in place and the black Cushion Ring is still engaged properly to the top of the disposer hopper (see B2).



C. Be sure the sink is clean. Load the underside rim of the sink flange with plumber's putty (see C1). From top of the sink, push the sink flange down against the sink opening to make a good seal (see C2). DO NOT MOVE OR ROTATE the sink flange once it has been seated or the seal may be broken.

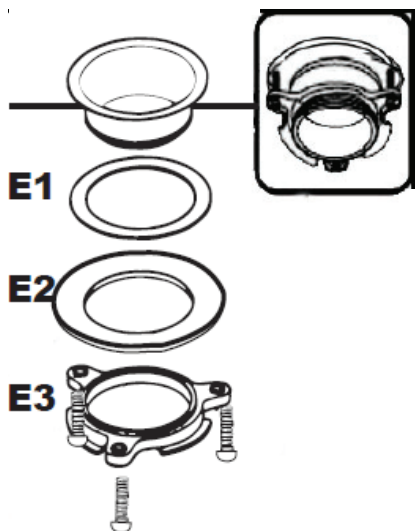


D. Place a heavy object, such as the disposer (use a towel to prevent sink scratching) on top of the Sink Flange to hold it down.

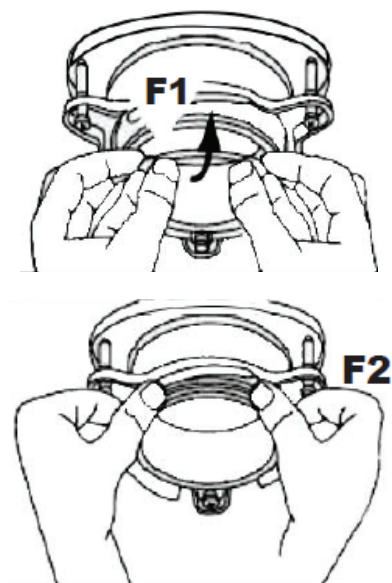


INSTALLATION (CONTINUED)

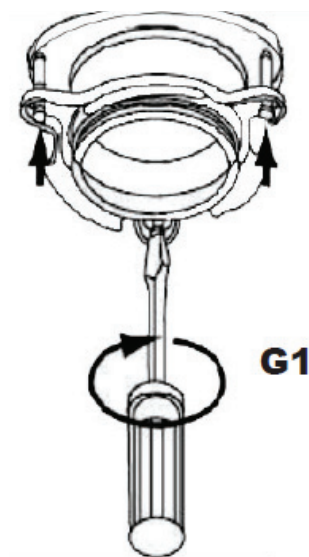
- E. Take the remaining portion of the mount assembly that was put aside. From under the sink insert the Fiber Gasket (see E1), then the Support Flange (see E2), and then the Upper Mount Ring (see E3).



- F. Hold the three parts in place while attaching the Retainer Ring (see F1) by pulling it apart and having it snap within the groove of the sink flange (see F2).



- G. Tighten the three Mount Screws evenly and firmly against the Support Flange (see G1). Do not over tighten.



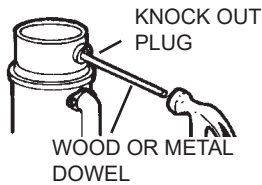
- H. Trim off any excess plumber's putty in the sink with a plastic knife or something similar that will not damage your sink.

CONNECTION

3. DISHWASHER CONNECTION PREPARATION

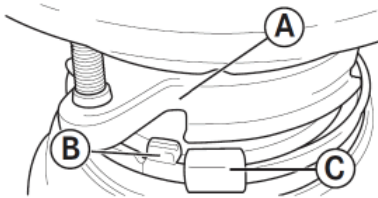
If you are utilizing a dishwasher, complete the following procedure.

Using a blunt instrument (steel punch or wooden dowel), knock out entire plug. Do not use a screwdriver or sharp instrument. (When knockout plug falls into disposer, you may remove it or grind it up when the disposer is used. This will not damage the disposer in any way, but it may take some time to grind).



4. LOCKING MOUNTING ASSEMBLY DETAIL

Attach disposer onto the Upper Mount Ring by aligning the three mount tabs on the Lower Mount Ring with the slide-up Ramps on the Upper Mount Ring and rotating counterclockwise. See Below.



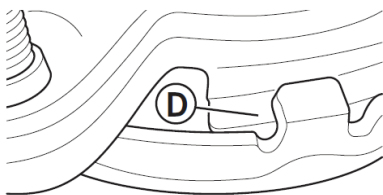
The Lower Mounting Ring (which is part of the disposer) has 3 tabs that grab the mounting ring ramp.

(A) points to the Upper Mount Ring.

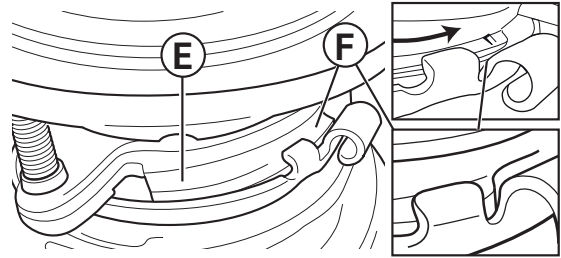
(B) is the tab that slides up onto the "Ramp".

(C) is the "Ear" that is used to help rotate the Lower Mount Ring.

Use a screwdriver for leverage if needed.



Lift and turn the Lower Mount Ring counterclockwise until all three mount tabs lock over the Ridges (F) on the slide-up Ramps (D) of the Upper Mount Ring.



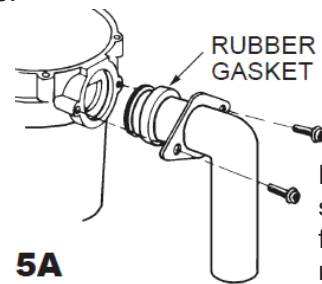
As the Lower Mount Ring is turned counterclockwise each tab slides up onto the Upper Mount Ring Ramp (E) and locks in position over the Ridges (F).

Use a screwdriver or hammer for leverage if needed.

If a disposer needs to be removed, tapping on the Ear clockwise with a hammer will easily loosen the Lower Mount Ring.

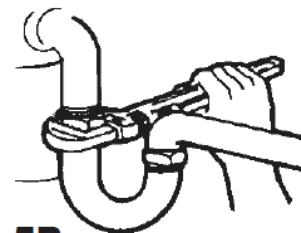
5. DISCHARGE ELBOW & DISHWASHER CONNECTIONS

A. Connect the waste elbow to the disposer by sliding the flange against the preinstalled rubber gasket on the elbow and tightening the enclosed screws into the disposer (see 5A). Then connect bottom of the elbow by tightening the slip nut (see 5B). If using a straight pipe, it must have a lip similar to the one on the elbow. Remove the gasket from the provided elbow and install it by ensuring the groove in the gasket securely fits over the pipe lip. IF YOU ARE NOT CONNECTING TO A DISHWASHER make sure all plumbing connections are tight and in accordance with all plumbing codes and ordinances. Run water and check for leaks. Go on to Step 6.



5A

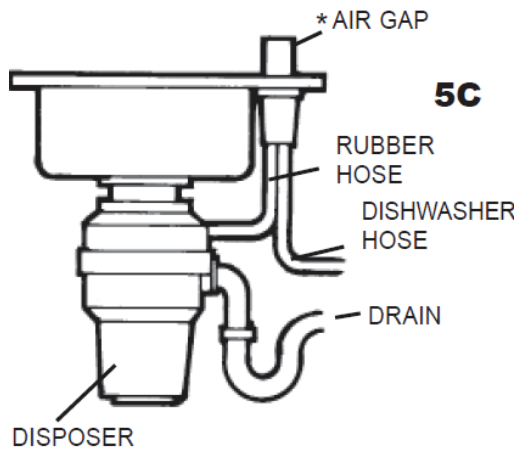
Note: Enclosed screw set required for installation. Do not use previously installed screw set.



5B

CONNECTION (CONTINUED) & GROUNDING INSTRUCTIONS

- B. Connect dishwasher hose (see 5C) using hose clamp. Make sure all plumbing connections are tight and in accordance with all plumbing codes and ordinances. Run water and check for leaks.



*Air gap may not be required for all installations. Check local plumbing codes.

6. ELECTRICAL CONNECTIONS

- A. Connect disposer to appropriate household current only.

⚠ WARNING

IMPROPER CONNECTION OF THE EQUIPMENT-GROUNDING CONDUCTOR CAN RESULT IN A RISK OF ELECTRIC SHOCK. CHECK WITH A QUALIFIED ELECTRICIAN OR SERVICEMAN IF YOU ARE IN DOUBT AS TO WHETHER THE APPLIANCE IS PROPERLY GROUNDED. DO NOT MODIFY THE PLUG PROVIDED WITH THE APPLIANCE IF IT WILL NOT FIT THE OUTLET. HAVE A PROPER OUTLET INSTALLED BY A QUALIFIED ELECTRICIAN.

The receptacle to which this appliance is connected must be controlled by a switch.

GROUNDING INSTRUCTIONS

FOR WASTE DISPOSERS EQUIPPED WITH A GROUNDED PLUG-IN POWER CORD.

- B. This appliance must be grounded. In the event of a malfunction or breakdown, grounding provides a path of least resistance for electric current to reduce the risk of electric shock. This appliance is equipped with a cord having an equipment-grounding conductor and a grounding plug. The plug must be plugged into an appropriate outlet that is properly installed and grounded in accordance with all local codes and ordinances. If the supply cord is damaged it must be replaced by the manufacturer, its service agent or similarly qualified person in order to avoid a hazard.

PERMANENT WIRE INSTALLATION INSTRUCTIONS

For waste disposers NOT equipped with a grounded plug-in power cord.

GROUNDING: This disposer must be connected to a grounded, metal, permanent wiring system; or an equipment-grounding conductor must be run with the circuit conductors and connected to the equipment-grounding terminal or lead on the disposer.

An acceptable motor control switch with a marked off position shall be provided at the time of installation to disconnect the disposer from all ungrounded supply conductors. The switch shall be mounted in sight of the disposer or in sight of the sink opening for the disposer.

⚠ WARNING

Electric Shock

Turn off power before installing or servicing disposer. All wiring must comply with local electrical codes.

Do not connect electrical current at main breaker panel until adequate ground is established. Inadequate connection of the ground wire can result in a risk of electric shock. Consult with a certified electrician or tradesman if there is any doubt whether the disposer is inadequately grounded. **Your disposer must be adequately grounded.**

GROUNDING INSTRUCTIONS (CONTINUED)

1. Turn off or disconnect all power to the wall junction box serving the disposer.
2. Open the junction box in the wall and remove the wire nuts or electrical tape or whatever is tying the old disposer wire to the electrical wire inside of the junction box.
3. Open the end bell plate at the bottom of the disposer.

If you are using flexible armored (BX) cable:

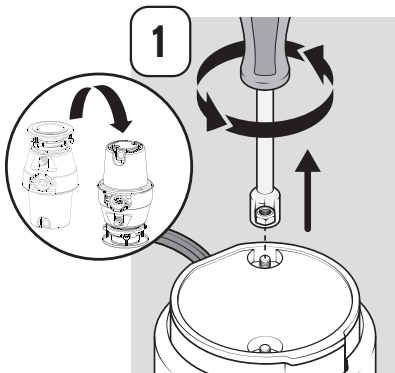
1. Install cable fitting in the disposer end bell hole.
2. Secure the cable to the fitting and install an insulating bushing or equivalent.
3. Connect white wire from the junction box to the white (or blue) wire of the disposer.
4. Connect black wire from the junction box to the black (or brown) wire of the disposer.
5. Connect bare ground wire from the junction box to green ground screw within the disposer end bell.

If you are using nonmetallic-sheathed (ROMEX) cable:

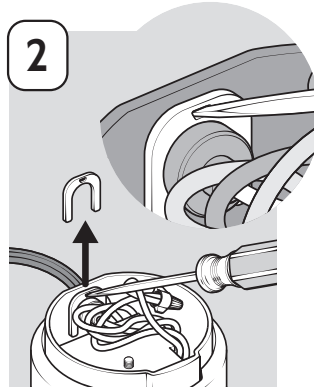
1. Install cable fitting in the end bell hole and secure the cable to the fitting.
2. Connect white wire from the junction box to the white (or blue) wire of the disposer.
3. Connect black wire from the junction box to the black (or brown) wire of the disposer.
4. Connect bare ground wire from the junction box to green ground screw within the disposer end bell.

If your power supply cable does not include a grounding wire, one must be provided. Attach a copper wire securely to the disposer ground screw and attach other end of ground wire to a metal cold water pipe. Do not attach ground wire to a gas supply pipe. Use only UL Listed grounding clamp. If plastic pipe is used in your home, a qualified electrician should install a proper ground.

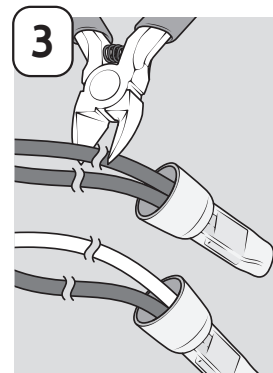
PERMANENT WIRE INSTALLATION



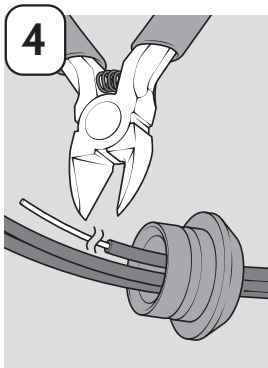
1. After turning off power supply, unbolt two nuts and remove end plate.



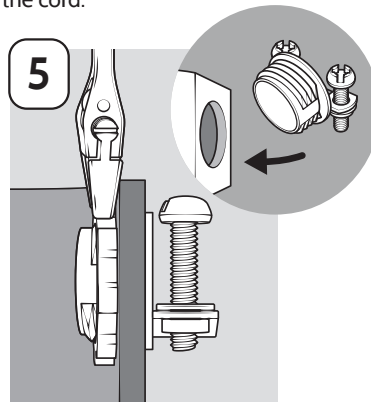
2. Using a flathead screwdriver or needle nose pliers, remove clip from strain relief portion of the cord.



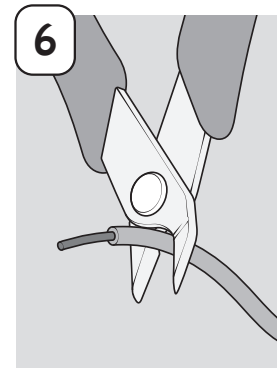
3. Using wire cutters, cut black (or brown) wire and white (or blue) wire near the connectors.



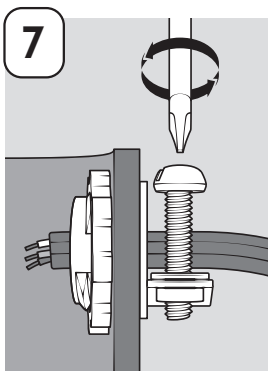
4. Pull cord strain relief out of endbell. Cut green ground wire near the cord strain relief.



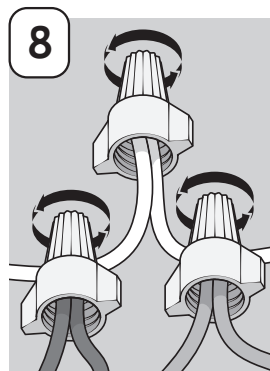
5. Insert metal strain relief connector (not included) into the endbell hole and tighten the nut securely.



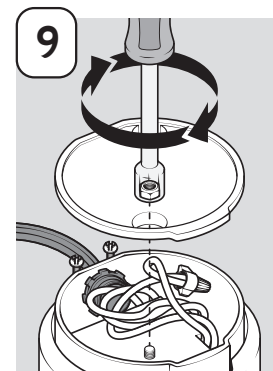
6. Strip the green, black, and white insulation from last 1/2" of each wire.



7. Insert the power supply cable, coming from the wall junction box, through the strain relief connector. Tighten connector.



8. Connect disposer wire leads (black and blue) to corresponding wire leads of the power supply cable. Green always connects to green.



9. Setting the wires into the endbell, replace the end plate and tighten the two bolts.

OPERATION

7. OPERATING INSTRUCTIONS

CONTINUOUS FEED

The Anti-Jam Swivel Impellers make a clicking sound as they initially swing into place. This indicates normal operation.

- A. Remove sink stopper. Turn on a medium flow of cold water.
- B. Turn switch to ON position; your motor is turning at full speed and ready to use.
- C. Scrape in food waste. Down the drain go table scraps, peelings, rinds, seeds, pits, small bones and coffee grounds. To speed up food waste disposer, cut or break up large bones, rinds and cobs. Large bones and fibrous waste require considerable grinding time and are more easily thrown away with other trash. Do not be alarmed that the disposer slows down while grinding. The disposer is actually increasing torque (grinding power) and is operating under normal conditions.
- D. Before turning disposer off, let water and disposer run for approximately 15 seconds after shredding or grinding stops. This assures that all waste is thoroughly flushed through trap and drain.
- E. It is not recommended to use hot water while running disposer. Cold water will keep waste and fats solid so disposer can flush away particles.

TIPS FOR SUCCESSFUL OPERATION

- A. Be sure disposer is empty before using your dishwasher so it may drain properly.
- B. You may want to leave the stopper in the sink drain when not in use to prevent utensils and foreign objects from falling into the disposer.
- C. Your disposer is ruggedly built to give you many years of trouble free service. It will handle all normal food wastes, but it will NOT grind or dispose of such items as plastic, tin cans, bottle caps, glass, china, leather, cloth, rubber, string, clam and oyster shells, aluminum foil or feathers.

CLEANING AND MAINTENANCE

DO NOT ATTEMPT TO LUBRICATE YOUR Disposer!

The motor is permanently lubricated. The disposer is self cleaning and scours its internal parts with each use. NEVER put lye or chemical drain cleaners into the disposer, as they cause serious corrosion of metal parts. If used, resulting damage can be easily detected and all warranties are void. Mineral deposits from your water can form on the stainless steel turntable, giving the

appearance of rust. DO NOT BE ALARMED, the stainless steel turntables used will not corrode.

Help keep your disposer free of odors by cleaning the underneath of the removable splash guard periodically

TROUBLESHOOTING

Before seeking repair or replacement, we recommend that you review the following:

LOUD NOISES: (Other than those during grinding of small bones and fruit pits): These are usually caused by accidental entry of a spoon, bottle cap or other foreign object. To correct this, turn off electrical switch and water. After disposer has stopped, remove splash guard, remove object with long handled tongs, and replace splash guard.

UNIT DOES NOT START: Unplug power cord or turn either the wall switch or breaker box switch to "OFF" position, depending on your model and wiring configuration. Remove stopper and/or splash guard. Check to see if turntable will rotate freely using a long-handled item. If turntable rotates freely, replace splash guard and check reset button to see if it has been tripped. Reset button is red and located on the front of the disposer. Push button in until it clicks and remains depressed.

If reset button has not been tripped, check for shorted or broken wire connecting to disposer. Check electrical power switch, fuse box or circuit breaker. If wiring and electrical components are intact, the unit may have internal problems that require service or replacement.

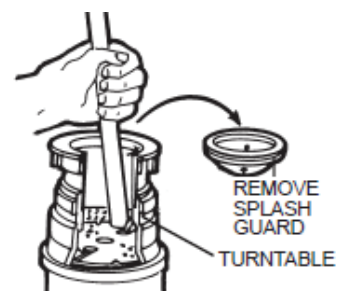
IF TURNTABLE DOES NOT ROTATE FREELY: Turn off disposer, then check for any foreign object lodged between the turntable and grind ring. Dislodge object by using a long-handled item (see 8A) and remove object. If no foreign object is present, there may be internal problems.

LEAKS: If the unit leaks at the top, it may be due to:

1. Improper seating of sink flange (gasket centering, putty or tightening).
2. Support flange not tightened properly.
3. Defective or improperly installed cushion mount.

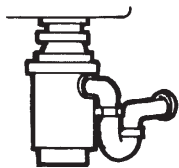
If unit leaks at the waste elbow, leak may be due to improper tightening of elbow flange screws.

8A

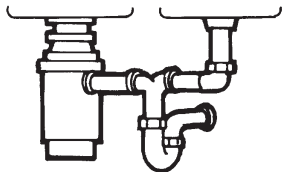


TYPICAL INSTALLATIONS

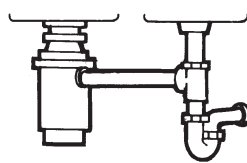
SINGLE BOWL



DOUBLE BOWL CENTER OUTLET



DOUBLE BOWL END OUTLET



For your specific disposer dimensions, contact
Maintenance Warehouse customer service at
1-800-431-3000.

RECOMMENDED PARTS & ACCESSORIES

PART NUMBER

22-0003Q-00	3-Bolt Garbage Disposer Mount Fits Most Sinks
22-0002E-00	Removable Splash Guard For 3-Bolt Mount Disposers
20-MSAS-65-MW	Single Outlet Air Switch For Disposers With Chrome Button
22-0003R-00	Extended Sink Flange With Extended Screws
22-MSELB-2	Outlet Elbow Kit (Elbow, Gasket, Flange, Flange Screws)
22-0001G-00	Stainless Steel Disposer Stopper
22-MSFGCM	3-Bolt Disposer Mount Ring and Fiber Gasket Kit

LIMITED LIFETIME WARRANTY AGAINST FAILURE DUE TO CORROSION

Proof of purchase is required! Staple receipt or proof of purchase to this manual. Tracking is handled through the serial number affixed to the bottom of the disposer and/or on the power cord label.

Conveniently record your model number and serial number on the front of this manual for your records. If you need warranty service, call us toll-free at 800-431-3000. Have serial number and receipt available for the technician. Warranty is non-transferable.

- 1. WARRANTY:** Maintenance Warehouse® disposers are warranted when installed in the United States to be free from defects in workmanship and material during the warranty period. This warranty sets forth our overall warranty commitment. We will not assume, nor authorize any person to assume for us, any other liability in connection with the sale of our products. Warranty only valid for product sold through authorized dealers/retailers.
- 2. LENGTH OF WARRANTY:** 1/3 HP MODELS - 5 years from date of purchase. 1/2 HP MODELS - 6 years from date of purchase. Models that fail to operate during its warranty period, will be repaired or replaced. This Warranty includes In-Home Warranty for Maintenance Warehouse® models that fall into disrepair due to manufacturing defect. This warranty is limited to the original purchaser. **Original sales receipt required.**
- 3. DEFECTIVE Disposer:** During the warranty period, a defective or inoperative disposer will be replaced by the company at no charge to the consumer/purchaser. **Original sales receipt required.** The warranty on the replacement will be limited to the unexpired term of the warranty on the original disposer.
- 4. CHANGE OF OWNERSHIP Disposer:** Warranty remains in force for warranty period from date of purchase of disposer by the original retail customer. Warranty is non-transferable. **Original sales receipt required.**
- 5. MISUSE OF Disposer:** This warranty does not apply to any disposer which is misused, altered, improperly installed or used for anything other than normal residential use. Additional conditions not covered by the warranty are as follows: Electrical connections due to improper installation; leaks at the sink flange, dishwasher inlet or discharge elbow; damage by installer such as excessive torquing of screwed connections; incorrect operation such as grinding nonfood waste; and jams.
- 6. HOW TO RECEIVE SERVICE:** Contact our Customer Service department: Toll Free: (800-431-3000).
- 7. LIFETIME CORROSION WARRANTY:** In addition to above warranty, any disposer that fails to operate because of corrosion will be replaced. This Lifetime Corrosion warranty is limited to the original purchaser. **Original sales receipt is required.**
- 8. MODEL NUMBER AND SERIAL NUMBER:** The model number and serial number are located on the bottom serial plate of your disposer and/or the power cord tag. Always reference the model number and serial number when contacting customer service about any warranties on your disposer.
- 9. IMPLIED WARRANTIES:** IMPLIED WARRANTIES, INCLUDING IMPLIED WARRANTIES OF MERCHANTABILITY AND FITNESS FOR A PARTICULAR PURPOSE, ARE LIMITED IN DURATION TO WARRANTY PERIOD FROM THE DATE OF PURCHASE. Some states do not allow limitations on how long an implied warranty lasts, so therefore the above limitation may not apply to you.
- 10. CONSEQUENTIAL OR INCIDENTAL DAMAGES:** THE COMPANY SHALL NOT BE LIABLE FOR CONSEQUENTIAL OR INCIDENTAL DAMAGES FOR ANY BREACH OF WARRANTY, EXPRESS OR IMPLIED. Some states do not allow the exclusion or limitation of the consequential or incidental damages, so therefore the above exclusion may not apply to you.
- 11. EXCLUSIVE REMEDY; CONSEQUENTIAL DAMAGES:** The foregoing provisions state the exclusive remedy for any breach of warranty, express or implied, TO THE EXTENT PERMITTED BY LAW, THE COMPANY SHALL NOT BE LIABLE FOR CONSEQUENTIAL OR INCIDENTAL DAMAGES FOR BREACH OF WARRANTY, EXPRESS OR IMPLIED. Some states do not allow the exclusion or limitation of consequential or incidental damages, so therefore the above exclusion may not apply to you.

Model Horsepower	Warranty Period
1/3 HP	5 years
1/2 HP	6 years

This warranty gives you specific legal rights, and you may also have other rights which vary from State to State.